



**Henkelman**  
vacuum packaging



User Manual  
Vacuum Packaging Machine  
**Aero**

---

Art No. 0894630

Version 03'24

Original Instructions for Use

[www.henkelman.com](http://www.henkelman.com)



- The machine is not suitable for the packaging of toxic, corrosive, irritant or potentially explosive materials.
- All persons responsible for the operation of this machine must at least fully read and understand the chapters about the operation and safety provided in these operating instructions.
- All persons responsible for the assembly, installation, maintenance and/or repairs must fully read and understand these operating instructions.
- The user is at all times responsible for the interpretation and use of this manual. Contact the owner or the manager in case of questions or doubts about the correct interpretation.
- This manual should be kept near the machine and should be within reach for its users.
- All major maintenance work, modifications to the machine and observations must be kept in a logbook; see *Logbook* on page 51.
- Modifications to the installation/machine are not allowed without the prior written consent of the supplier.
- For specific maintenance work not included in this manual, please contact the supplier.
- Comply with the safety requirements as set out in *Safety* on page 9 at all times.
- The correct operation and safety of the system can only be guaranteed if the recommended maintenance is performed on time and properly.
- Illustrations shown may differ from your machine.

Copyright © Henkelman BV 2021-2024

Henkelman BV reserves the right to change specifications and/or spare parts without prior notice.

The content of this user manual may also be changed without prior notice.

For information about settings, maintenance and repairs not provided for in this user manual, please contact the technical department of your supplier.

Henkelman BV accepts no liability for damage and/or problems arising from the use of spare parts not supplied by Henkelman BV.

This user manual has been compiled with all possible care. Henkelman BV assumes no responsibility for any errors in this manual and/or the consequences of an erroneous interpretation of the instructions.

All rights reserved. No part of this publication may be reproduced, stored in computerised databases, or made public, in any form or by any means, either electronic, mechanical, through photocopying, recording or otherwise, without the prior written consent of Henkelman BV. This also applies to the associated drawings and diagrams.

# Contents

<b>List of Figures.....</b>	<b>5</b>
<b>1 Preamble.....</b>	<b>6</b>
1.1 List of the Symbols Used in this Manual.....	6
1.2 Qualified personnel.....	6
1.3 Storing the manual.....	7
1.4 Regulatory information.....	7
1.5 Terms of Warranty.....	7
1.6 Liability.....	8
1.7 Terms and abbreviations.....	8
<b>2 Safety.....</b>	<b>9</b>
2.1 Pictograms on the Machine.....	9
2.2 General Warnings.....	10
2.3 Warnings During Use.....	11
2.4 Warnings for Operating Personnel.....	12
<b>3 Introduction.....</b>	<b>13</b>
<b>4 Description of the Machine.....</b>	<b>14</b>
4.1 Aero series.....	14
4.1.1 Overview of the Main Components.....	15
4.2 Description of the Packaging Process/Machine Functions.....	16
4.2.1 Packaging Process/Machine Functions.....	16
4.2.2 General Functions.....	17
4.3 Sealing System.....	18
<b>5 Installation.....</b>	<b>19</b>
5.1 Transportation and Installation.....	19
5.2 Connecting the Machine.....	19
5.3 Prior to the First Use.....	20
<b>6 Operation.....</b>	<b>21</b>
6.1 Aero Control System.....	21
6.1.1 Operating Elements.....	21
6.1.2 Starting the Machine.....	22
6.1.3 Starting the Packaging Cycle.....	22
6.1.4 Proceeding to the Next Step in the Cycle.....	22
6.1.5 Terminating a Program.....	22
6.1.6 Changing the Program Settings (manual).....	23
6.1.7 Changing the Program Settings (automatic).....	23
6.1.8 Program Settings Parameters.....	24
6.1.8.1 Vacuum.....	24
6.1.8.2 Liquid Control (optional).....	24

6.1.8.3 Vacuum+ time (optional).....	25
6.1.8.4 Seal.....	25
6.1.8.5 Red Meat (optional).....	26
6.1.8.6 Soft Air.....	26
6.1.9 Example programs.....	26
6.1.10 Guidelines for Function Values.....	27
6.1.11 Changing the Machine Settings.....	28
6.1.11.1 Settings.....	29
6.1.11.2 Service.....	30
6.1.11.3 Import.....	30
6.1.11.4 External Vacuum (optional).....	31
<b>7 Maintenance.....</b>	<b>32</b>
7.1 Maintenance Schedule.....	32
7.2 Cleaning the Machine.....	33
7.3 Replacing the Sealing Wire.....	33
7.4 Replacing the Silicone Rubber of the Silicone Holders.....	35
7.5 Replacing the Lid Gasket.....	36
7.6 Inspecting the Lid Springs.....	37
7.7 Vacuum Pump maintenance.....	37
7.7.1 Overview.....	37
7.7.1.1 Busch pump 8 m <sup>3</sup> /h.....	37
7.7.1.2 Busch pump 16 - 21 m <sup>3</sup> /h.....	38
7.7.1.3 Becker pump 16 - 21 m <sup>3</sup> /h.....	39
7.7.2 Service hatch.....	40
7.7.3 Removing Oil, Refilling Oil.....	40
7.7.4 Replacing the Oil Exhaust Filter.....	41
7.7.4.1 Busch pump 8 m <sup>3</sup> /h.....	41
7.7.4.2 Busch pump 16 - 21 m <sup>3</sup> /h.....	42
7.7.4.3 Becker pump 16 - 21 m <sup>3</sup> /h.....	43
7.7.5 Running the Pump Cleaning Program.....	44
<b>8 Troubleshooting and Error Codes.....</b>	<b>45</b>
<b>9 Disposal.....</b>	<b>47</b>
<b>10 Appendices.....</b>	<b>48</b>
10.1 Technical Data.....	48
10.1.1 Aero series.....	48
10.2 Electrical Installation.....	49
10.3 Vapour Pressure Curve of Water.....	50
10.4 Logbook.....	51



# List of Figures

Figure 1: Overview of the Main Components.....	15
Figure 2: Overview of the Sealing System.....	18
Figure 3: Control Panel.....	21
Figure 4: USB port location.....	31
Figure 5: External Vacuum Adapter Set (Aero).....	31
Figure 6: Replacing the Sealing Wire.....	34
Figure 7: Replacing the Silicone Rubber of the Silicone Holders.....	35
Figure 8: Replacing the Lid Gasket.....	36
Figure 9: Overview of the Busch pump.....	37
Figure 10: Overview of the Busch pump.....	38
Figure 11: Overview of the Becker pump.....	39
Figure 12: Service hatch.....	40
Figure 13: Replacing the Oil Exhaust Filter.....	41
Figure 14: Replacing the Oil Exhaust Filter.....	42
Figure 15: Replacing the Oil Exhaust Filter.....	43
Figure 16: Overview of the Electrical Installation.....	49
Figure 17: Vapour Pressure Curve of Water.....	50

# 1 Preamble

This is the manual for your Henkelman Vacuum Packaging Machine series: Aero.

This manual is intended for anyone who works with or services the machine.

This manual contains information and instructions for installation, operation and maintenance of the machine. We recommend that you carefully read this manual before use and follow the procedures and instructions strictly. This will ensure that you get the best out of the machine and prevents possible accidents and serious injury.

## 1.1 List of the Symbols Used in this Manual

For all operations in which the safety of the operator and/or technician is at stake and where caution should be exercised, the following symbols are used.



Indicates a hazardous situation that, if not avoided, could result in serious injury or death and possibly material damage if one does not follow the safety instructions.



Indicates a hazardous situation that, if not avoided, could result in minor or moderate injury and possibly material damage if one does not follow the safety instructions.



Provides additional information that is helpful to do a task or to avoid problems.



This symbol warns for high voltage.

## 1.2 Qualified personnel

This document is intended for qualified personnel.



The term "qualified personnel" is defined here as individuals who thoroughly understand the equipment and its safe installation, operation or maintenance. Qualified personnel are physically capable of performing the required tasks, are familiar with all relevant and local safety rules and regulations and have been trained to safely install, operate or maintain the equipment. It is the responsibility of the company installing, operating or maintaining this equipment to ensure that its personnel meet these requirements.

## 1.3 Storing the manual

This manual is a part of your product. Store the manual in the immediate vicinity of the product. Always present a copy of the manual to operators and engineers working on the Vacuum Packaging Machine.

## 1.4 Regulatory information

The Henkelman Aero Vacuum Packaging Machine is designed to comply with the following directives:

- 2006/42/EC: Machinery Directive
- 2014/30/EG: EMC Directive



The EC declaration is included with the shipment of the machine. A copy is available upon request, please contact the manufacturer.

## 1.5 Terms of Warranty

The warranty is subject to the following limitations. The warranty period for products supplied by Henkelman BV is 3 years from the date indicated on the purchase document. This warranty is limited to manufacturing and machining defects and therefore does not cover breakdowns involving any part of the product that is exposed to any form of wear and tear. Normal wear and tear that may be expected with the use of this product is therefore hereby excluded.

- The responsibility of Henkelman BV is limited to replacing defective parts; we shall not acknowledge claims for any other kind of damage or costs.
- The warranty automatically expires in case of overdue or poor maintenance.
- If there are doubts about the maintenance activities or if the machine fails to work correctly, always contact the supplier.
- The warranty does not apply if the defect is the result of incorrect or negligent use, or maintenance that was conducted contrary to the instructions given in this manual.
- The warranty is void in the event of repairs or modifications to the product by third parties.
- Defects due to damage or accidents caused by external factors are excluded from the warranty.
- If we replace parts in compliance with the obligations of this warranty, then the replaced parts become our property.

The provisions regarding the warranty and liability are part of the general terms and conditions of sale, which can be sent to you upon request.

## 1.6 Liability

- We exclude all liability insofar as far as it is not required by law.
- Our liability shall never exceed the total amount of the machine value in question.
- With the exception of the applicable legal regulations of public order and good faith, we are not liable to pay for any damage of any sort whatsoever to the opposite party or to third parties, directly or indirectly, including lost profits, damage to movable or immovable property or personal injury.
- We are in no way liable for damages arising from or resulting from the use of the product used, or the unsuitability thereof for the purpose for which the other party decided to purchase the product.

## 1.7 Terms and abbreviations

Machine	Vacuum Packaging Machine
Pump	Vacuum pump

## 2 Safety

Your Vacuum Packaging Machine has been carefully designed and expertly built to be operated safely. This is corroborated by the CE-marking. However, there are always dangers and safety risks that cannot be eliminated. These dangers and risks are the result of the use functions of the machine and operation of the machine by the user. This section discusses safety instructions and precautions, how they will be pointed out to you and the requirements the user must meet. It is essential that you are well aware of these safety instructions and requirements and observe them at all times!

### 2.1 Pictograms on the Machine

Pictograms and warnings have been fitted on the machine to warn users of the possible risks.



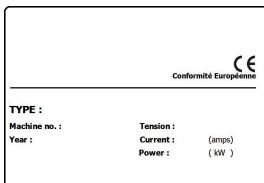
Warning sign "High Voltage"

- Is located on the back of the machine



Warning sign "Heat"

- Is located on the sealing bars and on the vacuum pump



Machine plate

- Is located on the back of the machine



Regularly check whether the pictograms and markings are still clearly recognisable and legible. Replace them if this is not the case.

## 2.2 General Warnings

---



- All persons responsible for the operation of this machine must at least fully read and understand the chapters *Safety* on page 9 and *Operation* on page 21.
- Failure to follow or disregard of the safety instructions may result in serious injury.
- Never pack products that can be damaged by vacuum.
- Never vacuum live animals.
- Warranty and/or liability is void if any damage is caused by repairs and/or modifications that are not authorised by the supplier or any of its distributors.
- In case of malfunction, contact the supplier.
- High pressure cleaning is not allowed. This may cause damage to the electronics and other components.
- Prevent water from entering the ventilation inlet of the chamber or the exhaust of the pump. This causes irreversible damage to the pump.
- The work space around the machine must be safe. The owner of the machine must take the necessary precautions to operate the machine safely.
- It is forbidden to start the machine in an explosive environment.
- The machine has been designed in such a way that production is safe under normal ambient conditions.
- The owner of the machine must ensure that the instructions in this manual are actually complied with.
- The available safety devices may not be removed.
- The correct operation and safety of the system can only be guaranteed if the recommended maintenance is performed on time and properly.
- If work must be carried out on the machine, it must be disconnected and blocked from the power supply.
- The power cord and plug must be accessible at all times. Disconnect the power plug if an error occurs.



- Only a technical expert may perform work on the electrical installation.
- Internal procedures and monitoring must be in place to ensure that all relevant power supplies are disconnected.
- The machine may not be used during cleaning, inspection, repair or maintenance and must be disconnected from the power supply by disconnecting the plug.
- Never perform welding work on the machine without first disconnecting the cable connection to the electrical components.
- Never use the power supply of the control unit to connect other machines.
- All electrical connections must be connected to the terminal strips according to the wiring diagram.

## 2.3 Warnings During Use

---



- Before starting the machine, make sure no work is being performed on the installation and that the machine is ready for use.
- The machine may not be operated by unauthorised persons. This should be monitored by the machine operator(s).
- Immediately contact the service technician of your technical department or dealer if something does not seem right, such as unusual vibrations or unusual noise.
- If the gassing option is used, the gas supply must be shut off when the machine is no longer in use. The work area must also be sufficiently ventilated.
- The machine may not be used if the plastic/glass lid shows visible damage or cracks. Contact your dealer for professional service.
- Components of the sealing system can become very hot. Contact with these components may cause injuries.
- Improper use, such as switching off the machine while it is creating a vacuum, is strongly discouraged. Such actions may cause oil leaking back to the vacuum chamber.

## 2.4 Warnings for Operating Personnel

---



- Operating personnel must be 18 years or older.
- Only authorised persons are allowed to perform work on or with the machine.
- Personnel may only perform work for which it was trained. This applies to both maintenance and normal use.
- The machine may only be operated by trained personnel.
- The machine must never be unattended during operation.
- Operating personnel must be familiar with all circumstances, so quick and effective action can be taken in case of an emergency.
- If an operator notices errors or risks or disagrees with safety measures, he or she should report this to the owner or manager.
- Safety shoes are mandatory.
- Appropriate work clothing is mandatory.
- All personnel must obey the safety regulations to avoid danger to themselves and others. Always strictly follow the work instructions.



### 3 Introduction

Henkelman BV is a supplier of ultra-modern vacuum packaging machines. Our machines are developed and manufactured to meet the highest standards. They combine a sleekly build and functional design with optimal ease of use and a long service life. After mounting the plug, it is just a matter of "plug & pack". The clever design ensures compliance with the hygiene standards at all times.

The Aero series are professional table top models, use-friendly and low-maintenance.

## 4 Description of the Machine

This section provides an short introduction to the machine and an overview of it's main components and functions. If detailed information is available in this manual, you will be referred to the specific sections.

### 4.1 Aero series

New state of the art, innovative, robust machines with a slick design.



All Aero models are equipped:

- Standard with 3 program memory
- Standard with sensor control
- Standard with double seal
- Standard with soft-air
- Free options: Cut-off and Wide seal
- Paid option: Liquid Control

## 4.1.1 Overview of the Main Components

The figure below shows the main components of the Aero series. The model shown may differ from your machine.

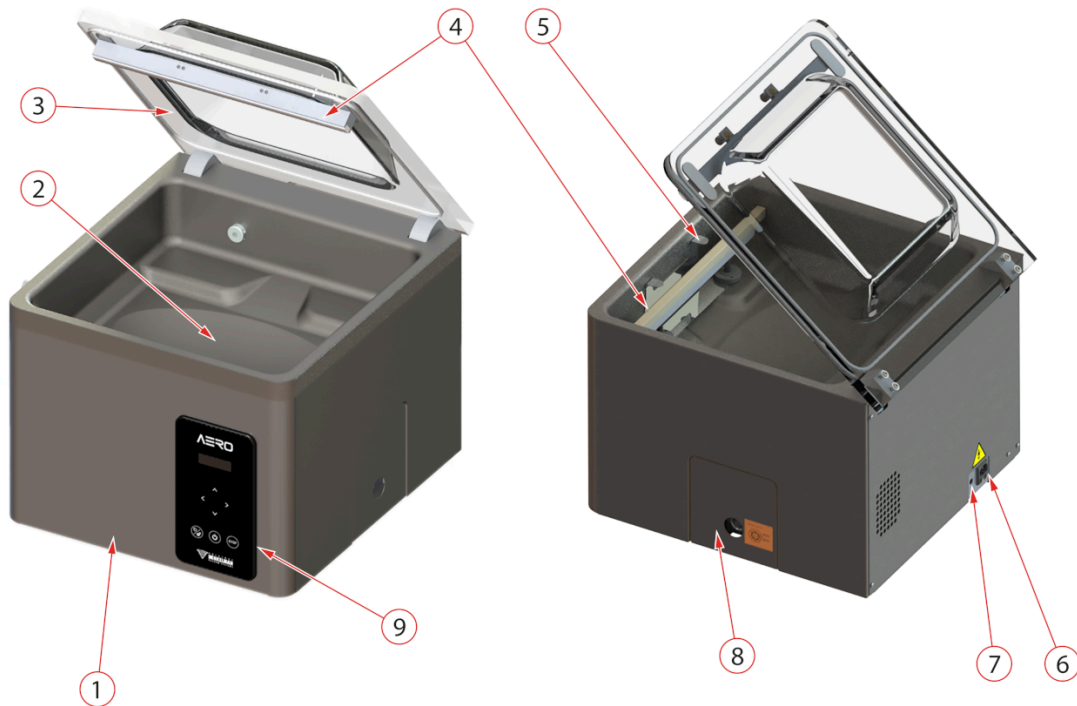


Figure 1: Overview of the Main Components

### 1. Machine housing

The machine housing contains all the components necessary for the functioning of the machine.

### 2. Vacuum chamber

The products to be packaged are placed on the work surface with the openings of the vacuum bags on the sealing position.

### 3. Lid

The lid closes the vacuum chamber during the application of the vacuum. A rubber is mounted in the lid to ensure proper closing. Silicone holders are mounted in the lid as counter beams of the sealing bar(s).

### 4. Seal system

Depending on the model, one or two sealing bars are mounted in the vacuum chamber. These close the vacuum bag.

### 5. Vacuum bag retainer (optional)

This system holds the open end of the vacuum bag in place.

### 6. Power connection

This serves to connect the machine to the power supply.

### 7. Circuit breaker

The circuit breaker protects against overload or short circuit.

### 8. Vacuum pump

The vacuum pump creates the vacuum. The hatch can be removed to access the vacuum pump.

## 9. Control panel

This serves to operate the available control functions.

## 4.2 Description of the Packaging Process/Machine Functions

This section provides an overview of the packaging process and available machine functions.



See *Changing the Program Settings (manual)* on page 23 for information about setting the parameters to the correct values.

### 4.2.1 Packaging Process/Machine Functions

This section describes the packaging process and the machine functions. See *Operation* on page 21 for the realization of the specific steps of the procedure.

Step	Process phase	Screen image	Operation
1.	Preparation		The operator puts the product in a vacuum bag and places it on the work surface with the opening on the sealing position.
2.	Applying vacuum		The vacuum process is initiated by closing the lid. During the cycle, the air will be removed from the chamber until the set vacuum percentage or value in mbar or hPa has been reached.
	Liquid control (optional)		Liquid Control is only available if your machine is equipped with the optional Liquid Control sensor. With the Liquid Control option, the system is controlled by a highly sensitive sensor. The sensor is able to detect the moment that liquids from the product or the product itself begin to evaporate (boil). At that time the system will proceed to the next step in the process.  This option will prevent the product from dehydrating, losing weight and/or the vacuum bag from bursting, which can contaminate the seal, the chamber, and the oil in the pump.
	Vacuum+		Vacuum+ is only available if the vacuum percentage is set to the maximum.  The Vacuum+ option continues the vacuum process for an additional time to allow any entrapped air to escape from the product.

Step	Process phase	Screen image	Operation
3.	Red meat (optional)		This option is added to the normal vacuum function. A small amount of air is rapidly flushed inside the chamber before sealing. This prevents degassing of the product during and after the sealing phase. Degassing may create air pockets inside the package.
4.	Sealing	<b>S 2,2s</b>	<p>The sealing bars are pressed against the vacuum bag and melt the bag closed.</p> <p>During the sealing process, the material of the vacuum bag is heated and pressed together to create a hermetic seal. The programming of this function takes place in seconds.</p> <p>Optionally, a replacement sealing bar can be installed with one sealing wire and one cut-off wire. The purpose of the cut-off wire is to remove the excess foil from the remaining flap.</p>
5.	Decompressing	<b>AERATION</b>	The vacuum is removed from the vacuum chamber by letting air into the chamber.
	Soft-Air		This function is set and displayed in seconds and allows air from outside to slowly enter the chamber so the vacuum bag will slowly be shaped around the product. This prevents sharp edges of the product from puncturing the foil and causing leaks. If Red meat is activated, this function is not available.
6.	Opening the vacuum chamber	<b>1 V99% LQ +0,5s</b>	After the program has ended, the text FINISHED is displayed for 3 seconds. The lid opens and the standard program view is displayed.
7.	Removing the product		The operator can remove the packaged product from the work surface.

## 4.2.2 General Functions

Function	Operation
Cleaning of the pump oil	The pump cleaning program ensures that the pump is thoroughly rinsed. During the program, the pump and oil reach the operating temperature, so the oil and moisture are separated and any contamination is filtered. The high temperature causes any moisture in the pump to evaporate, thus minimising the risk of corrosion.

Function	Operation
<b>External Vacuum (optional)</b>	This function allows special food containers to be vacuumed outside the machine.



Use only undamaged preserving jars with lids suitable for vacuuming.

### 4.3 Sealing System

The sealing system closes the opening(s) of the bag to retain the vacuum and/or gas in the bag. The end of the bag can optionally be cut off by the sealing bar.

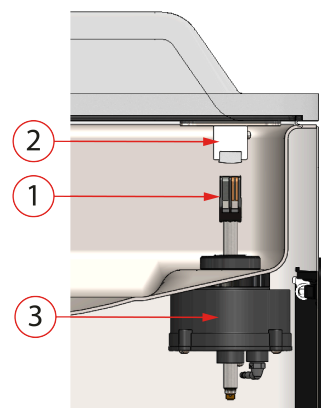


Figure 2: Overview of the Sealing System

#### 1. Sealing bar

The sealing bar consists of the following components:

- Sealing wires: during the sealing process, the sealing wires are heated for a certain time causing the edges of the vacuum bag to melt together.
- Cut-off wires (optional): A cut-off wire is heated in such a way that the foil of the bag partially melts, allowing the excess foil of the vacuum bag to be removed easily.
- Teflon tape: sealing and cut-off wires are covered with Teflon tape to prevent the bag from sticking to the sealing bar.

Consult *Replacing the Sealing Wire* on page 33 for more detailed information about maintenance.

#### 2. Silicone holder

Opposite the sealing bar is a silicone holder which provides counter pressure on the cylinders (*Replacing the Silicone Rubber of the Silicone Holders* on page 35).

#### 3. Sealing mechanism

The sealing bars are pressed onto the vacuum bag by cylinders. By connecting the inlet of the cylinders with the atmospheric pressure outside, they press the sealing bar onto the bag.

## 5 Installation

Consult *Technical Data* on page 48 for the specifications of the machine.



Before installing the machine, carefully read the safety instructions in *Safety* on page 9. Failure to follow or disregard of the safety instructions may result in serious injury.

### 5.1 Transportation and Installation

The machine must be moved and transported in an upright position.

1. Place the machine on a flat, level surface. This is essential to ensure a trouble-free operation of the machine.



Do not position machines with plastic covers in the vicinity of a heat source.



Make sure there is sufficient space (at least 15 cm) around the machine to ensure a proper ventilation.

2. Verify that the machine housing is present and correctly fitted.

### 5.2 Connecting the Machine



Only a technical expert may perform work on the electrical installation.

Make sure the power supply for this machine matches to the voltage and current stated on the machine plate.

1. Fit the connecting cable to the machine. See *Technical Data* on page 48 for the correct electrical connection.
2. Fit the connecting cable to the machine. See *Technical Data* on page 48 for the correct electrical connection.
3. Connect the machine to a grounded wall outlet to avoid fire or electric shock.



- The power cable must be free at all times, and nothing may be placed on it.
- The power plug must be accessible at all times. Remove the plug from the power socket when an error occurs, or when maintenance is performed on the machine.
- Immediately replace the power cable if damaged.

## 5.3 Prior to the First Use

See *Vacuum Pump maintenance* on page 37 for more information how to perform these steps.

Prior to the first use, the following steps must be performed:



Failure to do so may result in unrepairable damage to the machine.

1. Check the oil sight glass to see if the amount of oil in the pump is sufficient.
2. Optional: If the amount of oil in the pump is insufficient, refill it.
3. Start up the machine. See *Operation* on page 21 for more information.
4. Run the pump cleaning program before using the machine for the first time.



## 6 Operation



- All persons responsible for the operation of this machine must at least fully read and understand the chapters *Safety* on page 9 and *Operation* on page 21.
- Failure to follow or disregard of the safety instructions may result in serious injury.

### 6.1 Aero Control System

#### 6.1.1 Operating Elements

The control panel allows the machine to be operated and programmes to be changed.

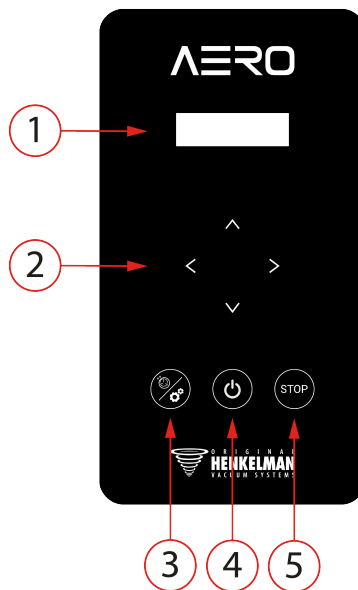


Figure 3: Control Panel

#### 1. Display

The display shows all the available programs and settings. During a program, the display shows the current program cycle.

#### 2. Cursor keys

These keys are used to operate the display.

#### 3. Pump cleaning program and Settings button

A short press is used to activate the pump cleaning program. Moisture can condensate in the oil when the pump is running only short cycles or when you are packaging moisture-containing products. This program removes moisture from the oil of the vacuum pump. See *Running the Pump Cleaning Program* on page 44 for instructions.

A long press (3 seconds) is used to activate the settings menu. This menu is only accessible with the owner login code. Refer to *Changing the Machine Settings* on page 28.

#### 4. On/Off button

Serves to turn the Aero on or off.

## 5. STOP button

This is used to interrupt the entire cycle during a packaging cycle. All functions are skipped and the cycle is terminated. The STOP button is also used to exit the programming function and to exit the menu.

### 6.1.2 Starting the Machine

1. Plug in the machine (see *Electrical Installation* on page 49).
2. Press the **On/Off** button on the control panel to enable the operation.  
The screen shows the last used program.

#### WARNING PUMP CLEANING NEEDED

When the vacuum pump needs to be cleaned, the machine shows the warning message “pump cleaning needed” for 5 seconds after power on. Close the machine lid while the message is showing to immediately run the pump cleaning program. Refer to *Running the Pump Cleaning Program* on page 44.

### 6.1.3 Starting the Packaging Cycle

The machine must be started in accordance with *Starting the Machine* on page 22 before starting a packaging cycle.

1. Select the desired program.  
Press the ▲▼ button
2. Put the product/products in place.
  - a. Put the product/products in the vacuum bag.
  - b. Place the vacuum bag in/on the vacuum chamber. Make sure the opening(s) is/are correctly placed with regard to the seal position(s).
3. Close the lid.  
The packaging cycle will start.

### 6.1.4 Proceeding to the Next Step in the Cycle

For some products, it may be necessary to proceed to the next step in the packaging cycle before the vacuum time or the vacuum level has been reached.



When packaging moisture-containing products, such as soups and sauces, it is important to closely monitor the vacuuming process. The moment bubbles are formed or the product starts to bubble, you should immediately proceed to the next step in the cycle.

Proceed to the next step in the cycle.

Press the ► button.

The next step will be started.

### 6.1.5 Terminating a Program

Programmes such as the packaging program or the pump cleaning program can be terminated at any time.

Terminate the program.

Press the **STOP** button.

The program will be terminated and the vacuum chamber is decompressed.

### 6.1.6 Changing the Program Settings (manual)

This section describes the units and limits of the parameters and how parameters can be adjusted.

See *Operating Elements* on page 21 for an overview of the operating elements.

1. Use the ▲ and ▼ buttons to select the desired program.
2. Use the ► buttons to scroll to the desired parameter.  
The ◀ button can be used to scroll backwards.  
The current parameter value is showed on the screen.
3. Use the ▲ and ▼ buttons to adjust the value.
4. Press the ► button to view the next parameter.
5. Repeat steps 2 - 4 until all parameters are set.

SAVE ADJUSTMENTS?

The screen displays "Save adjustments?".

6. Choose to save or reject the new parameters.
  - Press the ► button to save the new parameters and return to the main menu.
  - Press the **STOP** button to keep the old parameters and return to the main menu.

### 6.1.7 Changing the Program Settings (automatic)

It is possible to change the program settings while running (and observing) the program. This is called automatic programming.

See *Operating Elements* on page 21 for an overview of the operating elements.



Press the **STOP** button during automatic programming to return to the main menu without saving the new parameters.

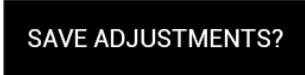
1. Use the ▲ and ▼ buttons to select the desired program.
2. Use the ► buttons to start changing the program.  
The first parameter value is showed on the screen.
3. Put the product/products in place.
  - a. Put the product/products in the vacuum bag.
  - b. Place the vacuum bag in/on the vacuum chamber. Make sure the opening(s) is/are correctly placed with regard to the seal position(s).
4. Close the lid.  
The packaging cycle will start.
5. When it is time to proceed to the next step in the cycle, press the ► button.  
The next step will be started.



The following parameters cannot be set during automatic programming. In these cases, pressing the ► button will have no effect.

- Liquid Control
- Red Meat
- Seal

6. Complete the program.



SAVE ADJUSTMENTS?

The screen displays “Save adjustments?”.

7. Choose to save or reject the new parameters.

- Press the ► button to save the new parameters and return to the main menu.
- Press the **STOP** button to keep the old parameters and return to the main menu.

## 6.1.8 Program Settings Parameters

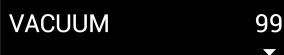
### 6.1.8.1 Vacuum

During the cycle, the air is removed from the chamber until the set percentage or value in mBar or hPa has been reached.



The set value can only be reached if the product does not start boiling. For more information, refer to *Liquid Control (optional)* on page 24.

1. Use the ◀ and ► buttons to scroll to the parameter Vacuum.



VACUUM 99

The screen displays the current vacuum parameter setting.

2. Press the ▲ or ▼ button to adjust the value.

The vacuum parameter can be set from **30 %** to **99 %**.

3. Press the ► to program another parameter or to go to Save settings.

### 6.1.8.2 Liquid Control (optional)

The boiling point of fluids decreases when the pressure is reduced, see *Vapour Pressure Curve of Water* on page 50. As a result, a product may start boiling during the vacuum process. This may contaminate the machine and reduces the weight and quality of the product to be packaged. If the Liquid Control option is enabled, the machine will vacuum until the set vacuum is reached. If the product reaches the boiling point before the set vacuum is reached, the machine will proceed to the next step of the cycle. The Liquid Control option requires a special sensor, which is not available in the standard configuration of the machine.



The set vacuum value can only be reached if the product does not start boiling.

1. Use the ◀ and ▶ buttons to scroll to the parameter Liquid control.



The screen displays the current liquid control parameter setting.

2. Press the ▲ or ▼ button to adjust the value.  
The vacuum parameter can be set **On** or **Off**.
3. Press the ▶ to program another parameter or to go to Save settings.

The Liquid Control function prevents excessive fluid from being drawn out of the product. This means that if the product reaches the boiling point, the machine will proceed to the next step of the cycle. Depending on the moisture content, the manner in which moisture is bound, the available surface for evaporation and the temperature, the end vacuum percentage might be limited and there might be too much residual oxygen content present in the package. If the product/process requires packaging with a low residual oxygen content, despite the high moisture content, there are two options:

1. Lower the product temperature. This allows for a deeper vacuum to be reached before the product reaches the boiling point.
2. Use the Liquid Control+ option.

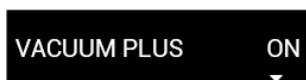
### 6.1.8.3 Vacuum+ time (optional)

When air inclusions appear in the product, it may be desirable to prolong the vacuum time after reaching the maximum vacuum. Because of the evaporation, a minor shock wave may occur, pushing all remaining air from the bag. This process is meant to let enclosed air escape from the product. The Vacuum+ time is set in seconds. The best way to determine the right time is trial and error.



The Vacuum+ option can only be activated if the vacuum value is set to maximum (99 % or 99.8 % for the ).

1. Use the ◀ and ▶ buttons to scroll to the parameter Vacuum plus.



The screen displays the current vacuum plus parameter setting.

2. Press the ▲ or ▼ button to adjust the value.  
The vacuum plus parameter can be set **Off** or:
  - from **0.1 s** to **5.0 s** (optional Liquid control On);
  - from **1 s** to **60 s** (Liquid control Off or not available).
3. Press the ▶ to program another parameter or to go to Save settings.

### 6.1.8.4 Seal

This is the time that the sealing wire and/or the cut-off wire are heated. The longer the time, the more heat is transferred to the bag.

1. Use the ◀ and ▶ buttons to scroll to the parameter Seal.



The screen displays the current seal parameter setting.

2. Press the ▲ or ▼ button to adjust the value.

The vacuum parameter can be set from **0.1 s** to **4.0 s**.

3. Press the ▶ to program another parameter or to go to Save settings.

### 6.1.8.5 Red Meat (optional)

The Red Meat option is especially designed for the packaging of fresh meat. Degassing the product during the vacuum process may result in the formation of air pockets inside the package. The Red Meat option prevents degassing of the product during and after the sealing phase.

The Red Meat option can be set for each program individually. If the Red Meat option is enabled in a program, it will not be possible to enable the Soft-air option in that program.

### 6.1.8.6 Soft Air

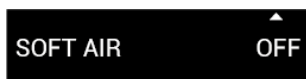
This is the time that air is softly released into the chamber after sealing has taken place.



The Soft Air option can not be enabled in a program if the Red Meat option is enabled.

To set the Soft Air function, follow the steps below:

1. Use the ◀ and ▶ buttons to scroll to the parameter Soft Air.



The screen displays the current soft air parameter setting.

2. Press the ▲ or ▼ button to adjust the value.

The soft air parameter can be set **Off** or on a time from **1 s** to **20 s**.

3. Press the ▶ to program another parameter or to go to Save settings.

### 6.1.9 Example programs

The vacuum packaging machine is equipped with sample programs with pre-set parameters. It is possible to optimize a program for your products by modifying the parameters.

Prog	Vacuum	Vacuum+	Seal	Soft-Air	Type of product
1.	99%	5	2.2 s	OFF	Solid products.
2.	97% 99% (with Liquid Control)	N/A OFF (with Liquid Control)	2.2 s	OFF	Liquids or products containing liquids.
3.	99%	OFF	2.2 s	5 s	Fragile or sharp products.

## 6.1.10 Guidelines for Function Values

For each function, values can be set if you are authorized as an owner. In order to understand the consequence of the set value, the table below explains the consequences of giving a low or high value for each function.

For the values in the table below, the following rule of thumb applies to setting a value in mbar. These values may vary slightly, depending on the humidity.

- 99 % = 10 mbar
- 0% = 1013 mbar

Function	Range	Conditions
<b>Vacuum</b>	30 – 99%	Rule of thumb: the higher the vacuum, the less oxygen remains in the package and the longer the shelf life of the product. There are exceptions to this rule.
<b>Liquid Control</b>	30 – 99%	<p>If the pressure is reduced, the boiling point of liquids will be decreased. As a result, a product may start boiling. This can cause contamination of the machine, and will reduce the weight and quality of the product to be packaged.</p> <p>By enabling the Liquid Control function, this special sensor will detect the evaporation point, and the program will stop vacuum extracting and proceed to the next step in the packaging process. The value that can be set is the maximum achievable vacuum value. Please keep in mind that this maximum vacuum value can only be achieved as long as the product does not start boiling.</p>
<b>Vacuum+</b>	0 – 60 s or 0.1 – 5.0 s	<p>This is the time the vacuum extracting will continue after the maximum vacuum has been reached. By adding time, a vacuum level of 99,8% can be reached. Vacuum+ time also helps trapped air to escape from the product. Please note that the vacuum must be set to the maximum.</p> <p>When liquid control is activated the vacuum + time can only been set between 0.1 and 5.0 seconds.</p>
<b>Red meat (Optional)</b>	ON- OFF	<p>When packaging pieces of fresh meat, the product can continue to degas during the sealing phase. Since the opening of the vacuum bag is already closed, air pockets may form inside the package after decompressing.</p> <p>This function can prevent the formation of these air pockets.</p>

Function	Range	Conditions
Seal time	0.3 – 4.0 s	This is the time that the sealing wires and/or the cut-off wire are heated. The longer the time, the more heat is transferred to the bag.
Cleaning of the pump	15 min.	Fixed value.



The vacuum in the chamber must be at least 30% at the moment of sealing.

If the pressure is reduced, the boiling point of liquids will be decreased (see *Vapour Pressure Curve of Water* on page 50). As a result, a product may start boiling. This can cause contamination of the machine, and will reduce the weight and quality of the product to be packaged.

When packaging moisture-containing products, such as soups and sauces, it is important to closely monitor the vacuuming process. If bubbles are forming or the product starts to boil, you should immediately proceed to the next step in the cycle. A higher vacuum can be achieved by letting products cool down sufficiently prior to starting the vacuuming process.

If the machine is equipped with the Liquid Control option, the control will automatically proceed to the next step if the product starts boiling.

When packaging moisture-containing products, it is important to run the pump cleaning program at least once a week. When moisture-containing products are vacuumed on a daily basis, it is recommended to run the pump cleaning program at the end of every day.

### 6.1.11 Changing the Machine Settings

This section describes the machine settings that can be changed by the owner.

See *Operating Elements* on page 21 for an overview of the operating elements.

1. Press and hold the **Pump cleaning program and Settings** button for 3 seconds.
2. Provide the owner login code.

Use the ◀ and ▶ buttons to select a number and use the ▲ and ▼ buttons to change the number.

Confirm the code with the ▶ button.

The owner login code is **1324**.



3. Use the ▲ and ▼ buttons to select the desired menu.
  - Settings
  - Service
  - Import & Export
4. Use the ▲ and ▼ buttons to adjust the value.



5. Press the ► button to enter the menu.

### 6.1.11.1 Settings

In this menu the machine settings can be changed.



- Use the ▲ and ▼ buttons to select the settings sub-menu and use the ► button to confirm.
  - **Units**
  - **Language**
  - **Display**
  - **Program options**
  - **Machine information**
- Change the units
  - a. Use the ▲ and ▼ buttons to select the unit.
    - %
    - **mbar**
    - **hPa**
- Change the language
  - a. Use the ▲ and ▼ buttons to select the language.
    - **English**
    - **Español**
    - **Nederlands**
    - **Français**
    - **Deutsch**
- Change the display setting
  - a. Use the ▲ and ▼ buttons to select **Display power low** and use the ► button to confirm.
    - **01 minutes**
    - **02 minutes**
    - **03 minutes**
    - **04 minutes**
    - **05 minutes**
  - b. Use the ▲ and ▼ buttons to select **Display power off** and use the ► button to confirm.
    - **15 minutes**
    - **30 minutes**
    - **45 minutes**
    - **60 minutes**

- Switching program options on or off
  - a. Use the ▲ and ▼ buttons to select **External vacuum** and use the ► button to confirm.
    - **On**
    - **Off**
  - b. Use the ▲ and ▼ buttons to select **Red meat** and use the ► button to confirm.
    - **On**
    - **Off**



Not all program options are available on all machines.

- Show machine information  
The machine information is shown.
  - SW version
  - Liquid control (on/off)
  - Soft air (on/off)
- Use the ▲ and ▼ buttons to select **Prog. amount.** and use the ► button to confirm.
  - **3**
  - **2**
  - **1**

### 6.1.11.2 Service

In this menu the service warning or the entire machine can be reset.



- Use the ▲ and ▼ buttons to select the service sub-menu and use the ► button to confirm.
  - **Factory reset**
  - **Reset service warning**
- Factory reset
  - a. Use the ► to select **Factory reset?**.
    - Use the ► button to perform the factory reset.
    - Use the ◀ or **STOP** button to cancel the factory reset.
- Reset the service warning
  - a. Use the ► button to reset the service warning.

### 6.1.11.3 Import

This menu is used for software updates. The USB port is located on the right side of the front panel.

## 1. USB port



Figure 4: USB port location

- Update
  - a. Use the ▲ and ▼ buttons to select **Software update** and use the ▶ button to confirm.

### 6.1.11.4 External Vacuum (optional)

The External Vacuum function allows special food containers to be vacuum extracted outside of the machine.

Check in advance whether the relevant gastronorm container can withstand and hold a vacuum.

To select the External Vacuum option, follow the steps below.

1. Select the **External Vacuum** program.
2. Connect the external vacuum hose to the machine by placing the adapter over the suction inlet (1) in the vacuum chamber.
3. To connect the external vacuum hose to the food container:
  - a. Connect the external vacuum hose adapter (3) to the valve of the food container.
  - b. Slide the sliding valve (2) towards the hose (closed position).

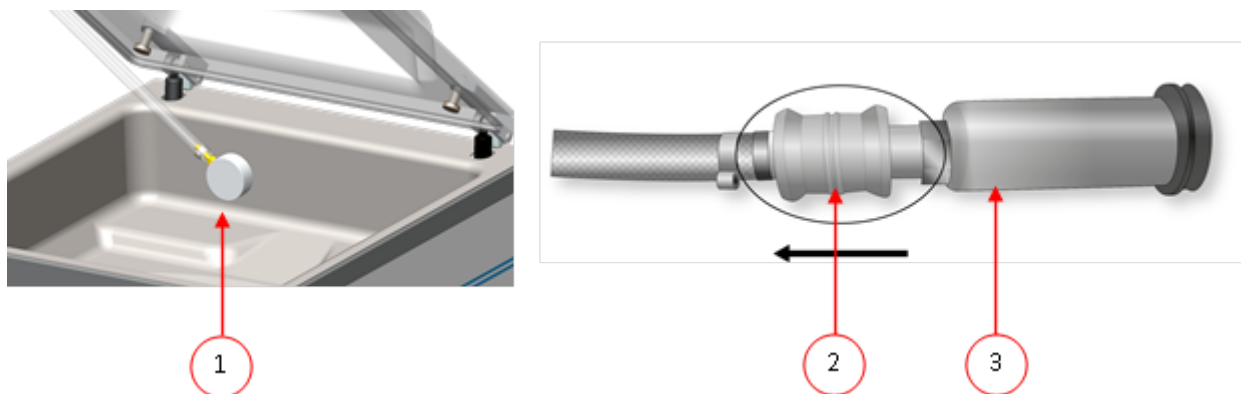


Figure 5: External Vacuum Adapter Set (Aero)

4. Press the ▶ button to start the vacuum cycle.  
The food container will be vacuum extracted.
5. Slide the sliding valve of the adapter towards the gastronorm container (open position) and remove the external vacuum hose from the food container.

## 7 Maintenance

When carrying out maintenance work, always observe the following safety rules.



- Always disconnect the power supply by disconnecting the plug.



- Only trained technicians are authorised to perform the described maintenance activities.
- Test the machine after carrying out maintenance work or repairs to make sure the machine can be used safely.

### 7.1 Maintenance Schedule

The diagram below shows the maintenance activities that must be performed and the interval with which these activities must be performed.

For specific descriptions for performing maintenance activities, consult the appropriate section.

Activity *	1-D	1-W	1-M	6-M	1-Y	4-Y
<b>Cleaning</b>						
Cleaning the machine.	X					
<b>Inspections</b>						
Check the oil level.		X				
Run the pump cleaning program **.		X				
Inspect the sealing bars.		X				
Inspect the silicone rubber of the silicone holders.		X				
Inspect the lid gasket.		X				
Check the plastic lid for cracks (if applicable).		X				
Inspect the lid springs. Pay additional attention to damage and the fastenings of the lid springs.					X	
<b>Lubrication</b>						
Replace the oil of the vacuum pump. See <i>Technical Data</i> on page 48 for the type of oil.				X		

Activity *	1-D	1-W	1-M	6-M	1-Y	4-Y
<b>Replacement</b>						
Replace the sealing wires.				X		
Replace the silicone rubber of the silicone holders.				X		
Replace the lid gasket.				X		
Replace the oil exhaust filter.					X	
Contact your dealer for professional servicing.					X	
Replace the plastic lid (if applicable).						X

\* 1-D = Daily, 1-W = Weekly, 1-M = Every month, 6-M = Every 6 months, 1-Y = Annually, 4-Y = Every 4 years

\*\* In case of packing damp products this is not enough, then this should be done daily.

## 7.2 Cleaning the Machine



- Never clean the machine using a high pressure cleaner.
- Do not use any aggressive or toxic cleaning agents.
- Do not use any cleaning agents containing solvents.

Clean the surfaces with a soft, damp cloth. You can also apply a cleaning agent to the machine and wash it with clean water.

## 7.3 Replacing the Sealing Wire

Depending on the specifications of your machine, you can have one of the following (combinations of) sealing wires:

- Wide seal: one wide sealing wire
- Double seal: two sealing wires
- Trenn seal: one sealing wire and one cutting wire

The process of replacing the sealing wires is the same for all types.

Replace the sealing wires if the wire and/or the Teflon tape are damaged, or as specified in *Maintenance Schedule* on page 32.

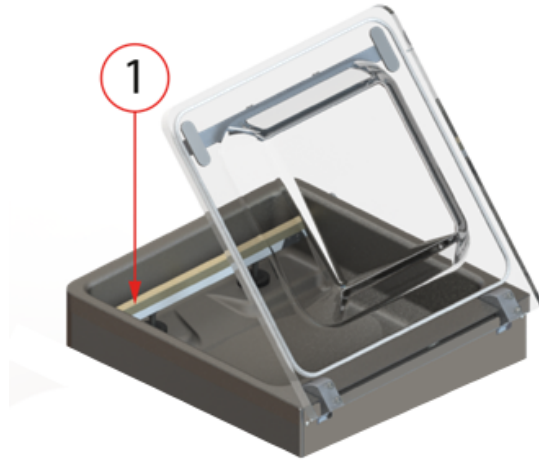


Table 1: Removing the sealing bar

Table 2:

1. Remove the sealing bar by lifting it from the cylinders. See *Replacing the Sealing Wire* on page 33.

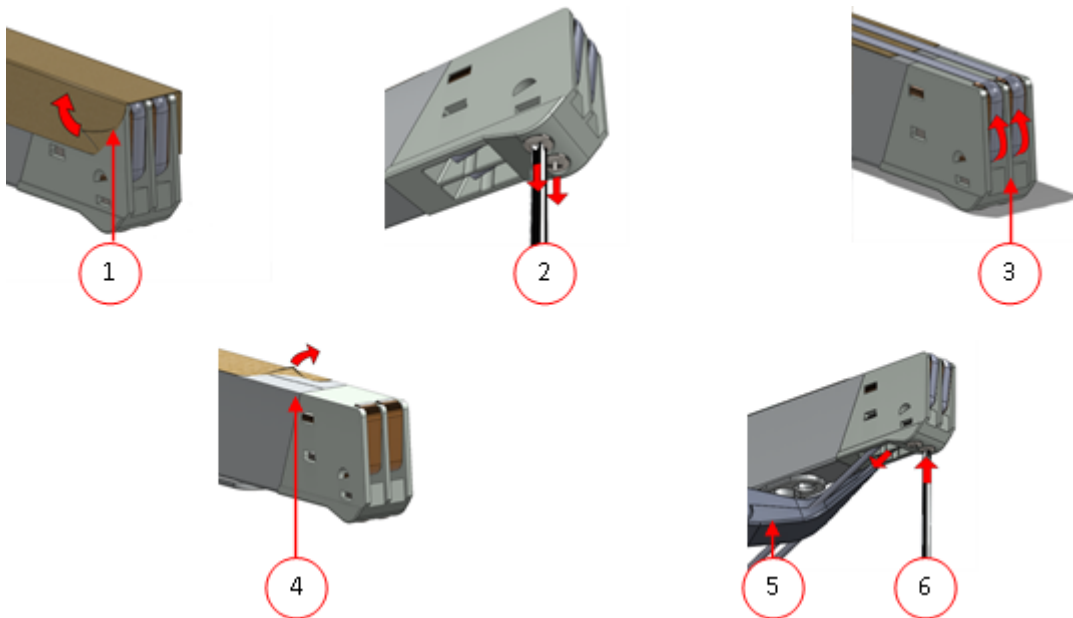


Figure 6: Replacing the Sealing Wire

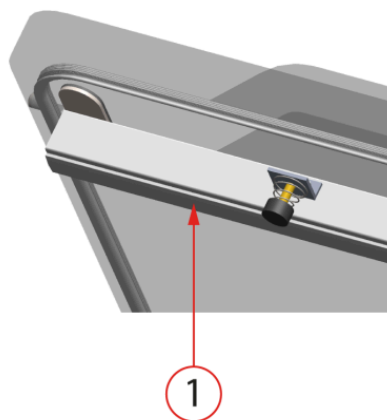
2. Remove the Teflon tape (1) that protects the sealing wire.
3. Remove the screws (2) at the bottom of the sealing bar and remove the sealing wires (3).
4. Replace the Teflon tape on the sealing bar.
  - a. Pull the Teflon tape from the top of the sealing bar (4).

- b. Clean the sealing bar with a dust-free cloth.
- c. Apply a new piece of Teflon tape of the same length on the sealing bar.
5. Replace the sealing wires.
  - a. Cut a new piece of sealing wire or cutting wire at the length of the sealing bar plus approximately 15 cm.
  - b. First place the wire on one side of the sealing bar by tightening the screws (2).
  - c. Place the other end of the wire in its location and tension it with pliers. Now fasten it by tightening the screws.
  - d. Cut both ends of the wire.
6. Replace the Teflon tape on the sealing wire.
  - a. Cut a piece of Teflon tape at the length of the sealing bar plus approximately 5 cm.
  - b. Attach the tape over the sealing wires on the sealing bar evenly and without folds.
  - c. Cut the tape.
7. Place the sealing bar back in its position.

## 7.4 Replacing the Silicone Rubber of the Silicone Holders

To ensure a seal of good quality, the silicone rubber may not be damaged and the surface must be smooth. Mechanical contact or burning by the sealing wire may damage the rubber.

Replace the silicone rubber if damaged or as specified in *Maintenance Schedule* on page 32.



*Figure 7: Replacing the Silicone Rubber of the Silicone Holders*

1. Pull the old silicone rubber from the holder, see *Figure 7: Replacing the Silicone Rubber of the Silicone Holders* on page 35.
2. Cut a new piece of silicone rubber. Make sure it is the same length as the holder.



If the rubber is too short or too long, this may cause problems with the seal of the bag.

3. Install the new piece of silicone rubber by pressing it into the recess of the silicone holder.

Ensure that the silicone rubber is fully and uniformly placed in the recess. It is also important that the surface of the silicone rubber is smooth after it is in place, and that it shows no signs of stress.

## 7.5 Replacing the Lid Gasket

The lid gasket ensures the vacuum chamber is fully closed during the machine cycle. This is essential to reach the maximum vacuum level. Due to extreme pressure differences, the gasket wears and should therefore be replaced regularly.

Replace the lid gasket if damaged or as specified in *Maintenance Schedule* on page 32.

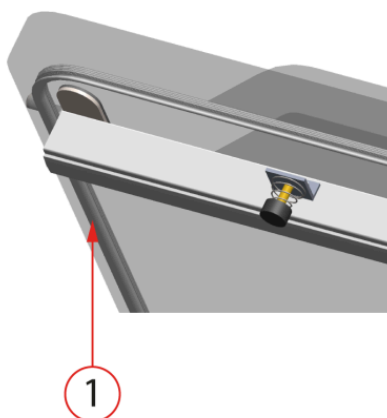


Figure 8: Replacing the Lid Gasket

1. Pull the old gasket loose to remove it.
2. Cut a new piece of rubber.



Preferably cut the new piece of rubber slightly longer than the old piece.

The edges must be cut straight.



If the lid gasket is too short or too long, this may cause problems when closing the lid or it may cause leakage.

3. Install the new gasket by pressing it into the gasket slot. The lip of the gasket must face downwards and outwards.

The gasket should be placed in the slot evenly and without any tension. The edges must be placed closely together to prevent leakage.



## 7.6 Inspecting the Lid Springs

1. Check the fastenings of the lid springs for wear, corrosion and damage.
2. Check the lid springs for wear and damage.



In the case of leakage, please contact your service dealer.

## 7.7 Vacuum Pump maintenance

The vacuum pump creates the vacuum. Regular maintenance of the pump is very important.

### 7.7.1 Overview

Depending of the configuration the machine is equipped with one of the following pumps:

#### 7.7.1.1 Busch pump 8 m<sup>3</sup>/h

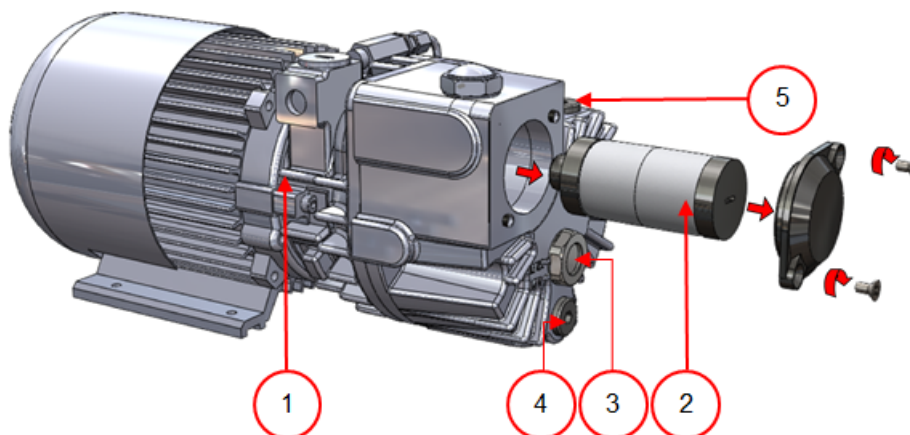


Figure 9: Overview of the Busch pump

1. **Vacuum pump** - Creates the vacuum for the process.
2. **Oil exhaust filter** - Filters the air by capturing oil vapours.
3. **Oil sight glass** - Indicates the maximum and minimum oil levels of the vacuum pump.
4. **Oil drain plug** - Removing the oil drain plug allows the oil to be drained.
5. **Oil filler plug** - Removing the oil filler plug allows the oil to be refilled.

### 7.7.1.2 Busch pump 16 - 21 m<sup>3</sup>/h

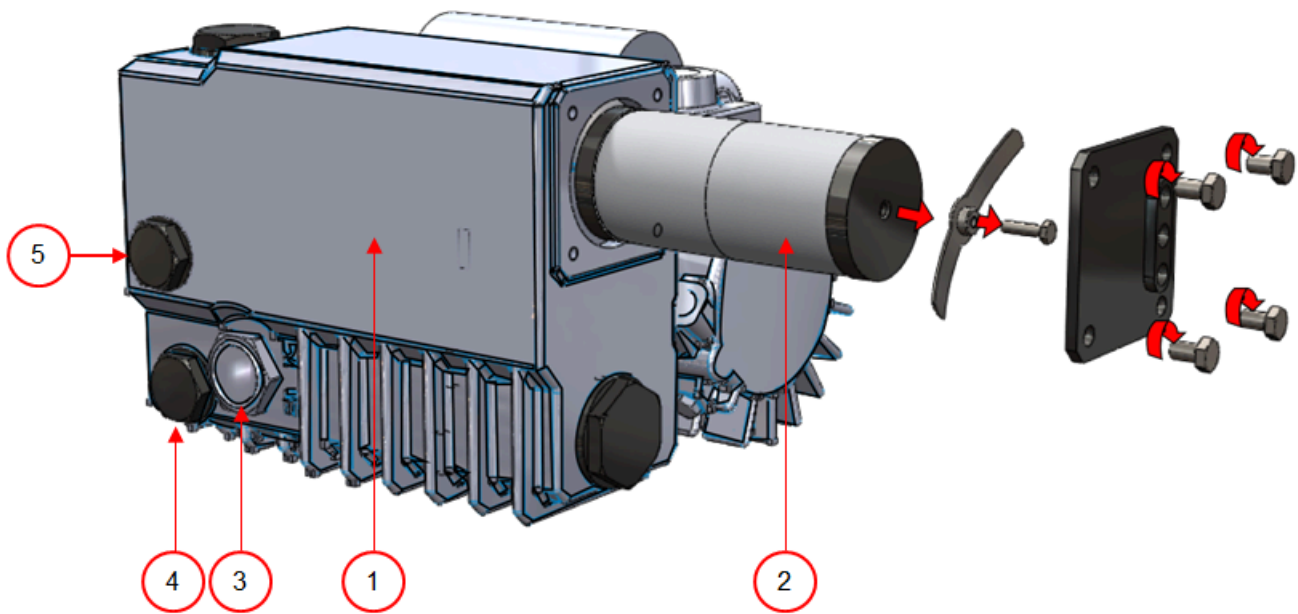


Figure 10: Overview of the Busch pump

1. **Vacuum pump** - Creates the vacuum for the process.
2. **Oil exhaust filter** - Filters the air by capturing oil vapours.
3. **Oil sight glass** - Indicates the maximum and minimum oil levels of the vacuum pump.
4. **Oil drain plug** - Removing the oil drain plug allows the oil to be drained.
5. **Oil filler plug** - Removing the oil filler plug allows the oil to be refilled.

### 7.7.1.3 Becker pump 16 - 21 m<sup>3</sup>/h

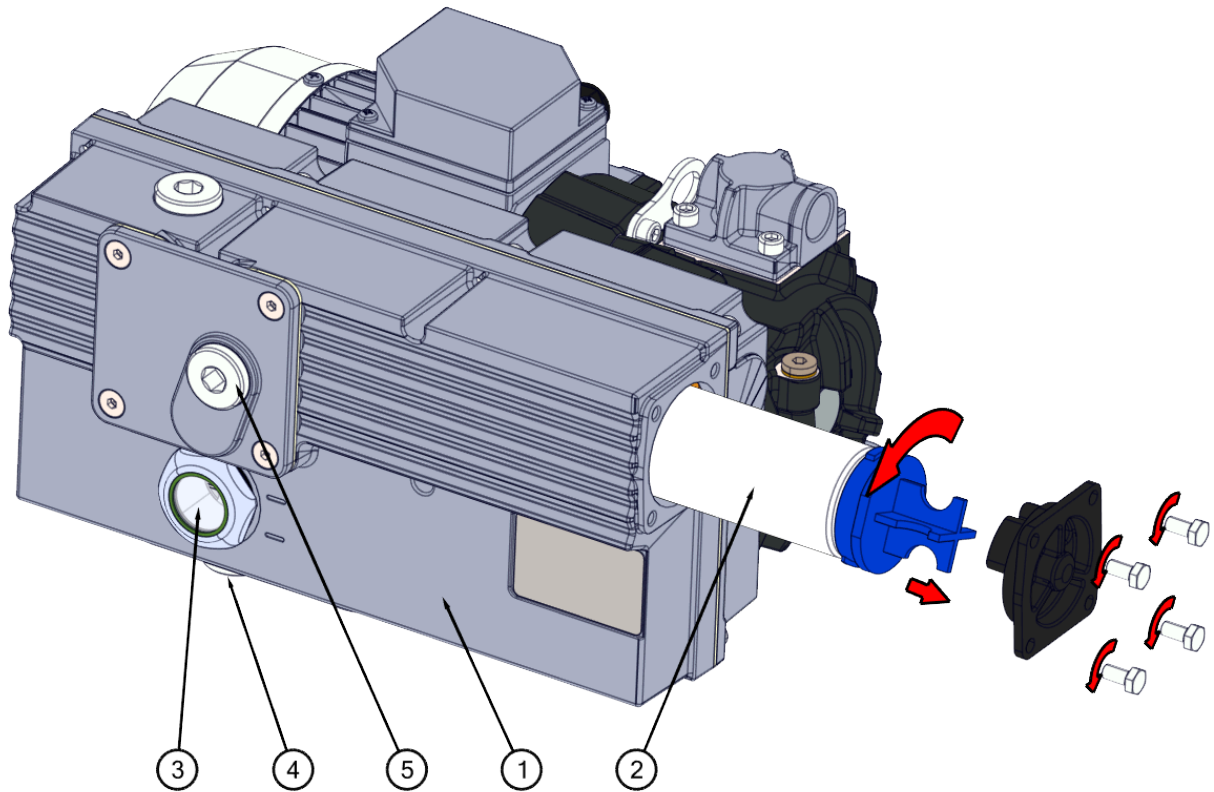


Figure 11: Overview of the Becker pump

1. **Vacuum pump** - Creates the vacuum for the process.
2. **Oil exhaust filter** - Filters the air by capturing oil vapours.
3. **Oil sight glass** - Indicates the maximum and minimum oil levels of the vacuum pump.
4. **Oil drain plug** - Removing the oil drain plug allows the oil to be drained.
5. **Oil filler plug** - Removing the oil filler plug allows the oil to be refilled.

## 7.7.2 Service hatch

A maintenance hatch can be found on the side of the machine. After loosening two bolts, it can then be removed with a tilting movement so that the drain openings of the pump are freely accessible.

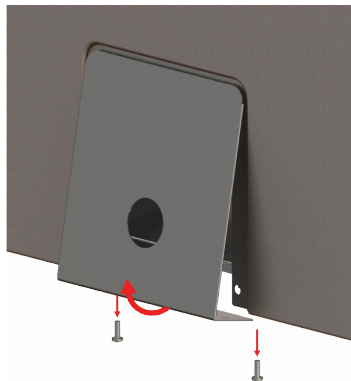


Figure 12: Service hatch

## 7.7.3 Removing Oil, Refilling Oil

This section describes how to remove oil from the pump and how to refill the oil.

See *Overview* on page 37 for the pump fitted in the machine and an overview of the parts.



The oil in the vacuum pump may be hot. Avoid contact with hot oil when removing the oil.



The use of Personal protection Equipment with the corresponding CE marking is recommended.

If the machine remains unused for a prolonged period of time, the oil must be removed from the pump. This is necessary because moisture and dirt in the oil may affect the pump, causing the pump to jam at the next use.

Follow the steps below to remove the oil from the pump:

1. Place a drip pan under the oil drain plug.
2. Remove the oil drain plug.  
The oil will drain from the pump.
3. Replace the oil drain plug.

Follow the steps below to add oil to the pump. You can follow these steps after all oil has been removed, but also to refill oil.

4. Remove the oil filler plug.
5. Add oil until the oil level is between the minimum and maximum levels of the oil sight glass.
6. Replace the oil filler plug.

## 7.7.4 Replacing the Oil Exhaust Filter



The use of Personal protection Equipment with the corresponding CE marking is recommended.

The oil exhaust filter prevents oil vapours from being emitted from the vacuum pump with the exhaust air. If the filter becomes saturated, the maximum vacuum level can no longer be reached. Replace the filter in case of vacuum problems or as specified in *Maintenance Schedule* on page 32.

### 7.7.4.1 Busch pump 8 m<sup>3</sup>/h

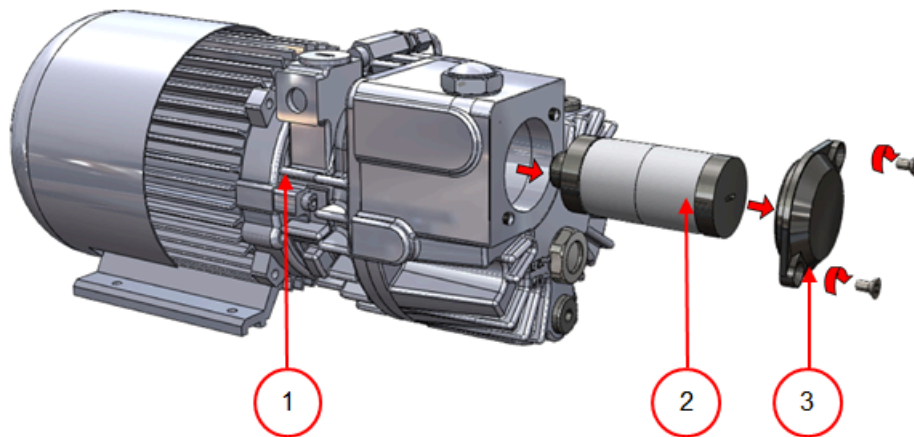


Figure 13: Replacing the Oil Exhaust Filter

Follow the steps below to remove the old oil exhaust filter:

1. Remove the filter cover (3) of the vacuum pump (1) and put it aside.
2. Remove the oil exhaust filter (2) from the vacuum pump.

Follow the steps below to install a new oil exhaust filter:

3. Turn the new filter into the vacuum pump.  
Make sure the O-ring is properly placed on the filter inlet.
4. Mount the filter cover placed aside.

## 7.7.4.2 Busch pump 16 - 21 m<sup>3</sup>/h

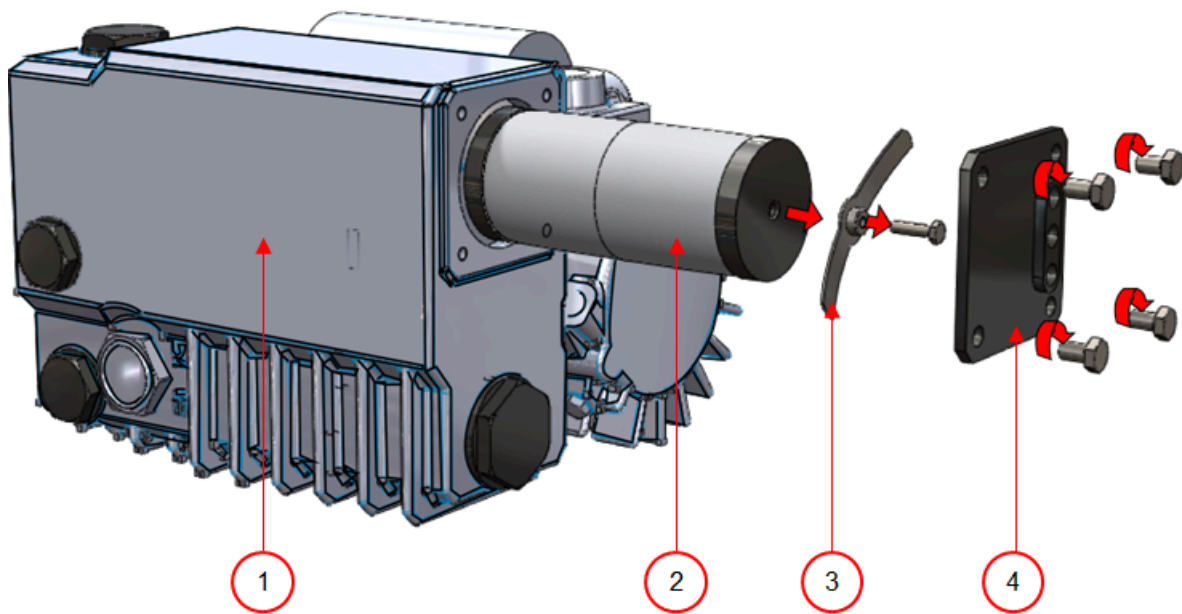


Figure 14: Replacing the Oil Exhaust Filter

Follow the steps below to remove the old oil exhaust filter:

1. Remove the filter cover (4) of the vacuum pump (1) and put it aside.
2. Remove the leaf spring (3) and put it aside.
3. Remove the old filter (2).

Follow the steps below to install a new oil exhaust filter:

4. Insert the new filter into the vacuum pump.  
Make sure the O-ring is properly placed on the filter inlet.
5. Mount the leaf spring placed aside.
6. Mount the filter cover placed aside.

### 7.7.4.3 Becker pump 16 - 21 m<sup>3</sup>/h

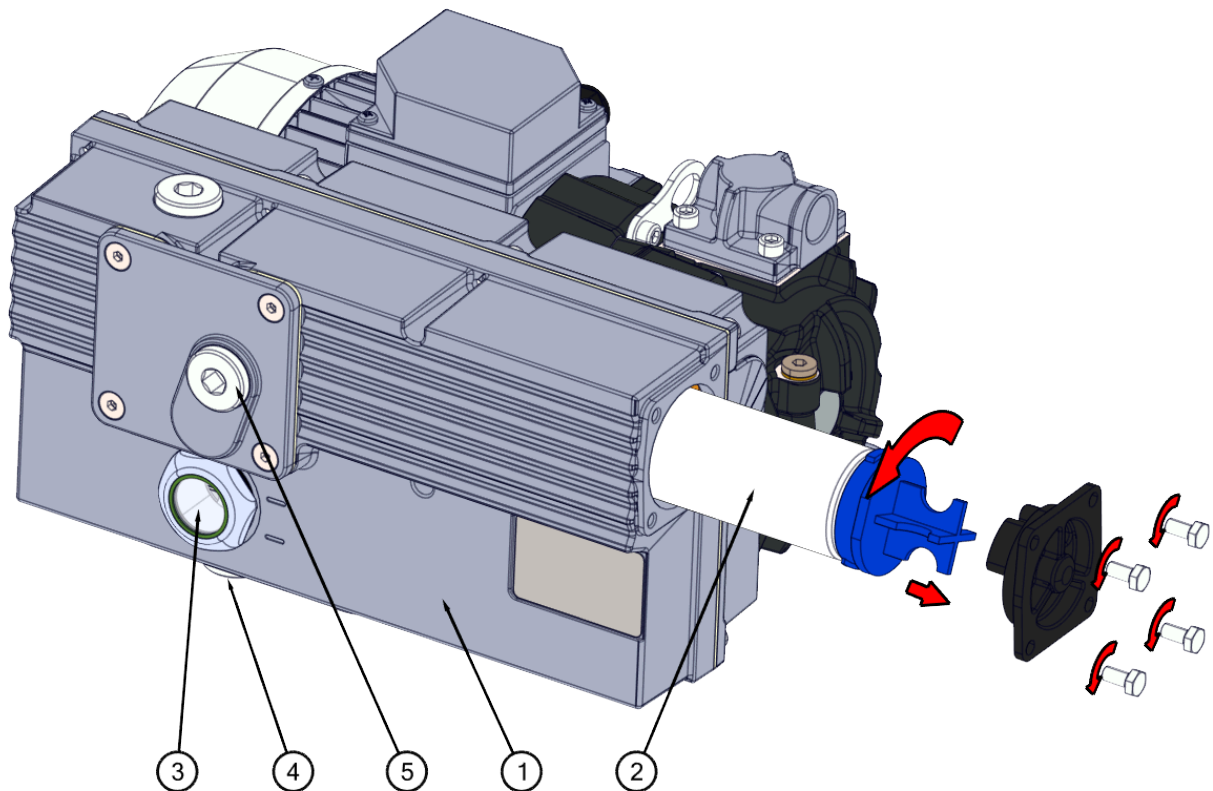


Figure 15: Replacing the Oil Exhaust Filter

Follow the steps below to remove the old oil exhaust filter:

1. Loosen the four screw (3) holding the filter cover (4) and remove the cover.
2. Turn the old filterer (2) 90° counter clockwise and pull it out of the pump housing (1).
3. Place the old filter in a suitable container to prevent any spilling.

Follow the steps below to install a new oil exhaust filter:

4. Insert the new filter into the vacuum pump.
5. Turn the filter 90° clockwise until it snaps into place.
6. Mount the filter cover and tighten the four screws.

Make sure the O-ring is properly placed.

## 7.7.5 Running the Pump Cleaning Program

The pump cleaning program runs the vacuum pump for 15 minutes. During the program, the pump and the oil reach the operating temperature. Moisture in the pump is absorbed by the oil. The high temperature causes any moisture in the pump to evaporate, and minimises the risk of corrosion.

It is advisable to run the program before using the machine for the first time, after the machine has been stationary for a lengthy period of time, and especially prior to changing oil.

Run the pump cleaning program every week. If you package moisture-containing products, such as soups and sauces, the pump cleaning program should be run every day.

1. Select the pump cleaning program.

Press the **Pump cleaning program and Settings** button.



2. Close the lid to start the pump cleaning program.  
The pump cleaning program will run for 15 minutes.



## 8 Troubleshooting and Error Codes

The tables below show the possible malfunctions and the corresponding causes as well as the steps to be taken.

Malfunction	Activity	More information
Control panel does not illuminate.	<ul style="list-style-type: none"><li>• Connect the machine to the power supply.</li></ul>	<p><i>Connecting the Machine</i> on page 19</p> <p><i>Electrical Installation</i> on page 49</p>
The control panel is on, but there is no activity after closing the lid.	<ul style="list-style-type: none"><li>• Check or adjust the switch of the lid.</li></ul>	Contact your supplier.
Insufficient end vacuum.	<ul style="list-style-type: none"><li>• Check the vacuum settings of the program and adjust them.</li><li>• Make sure that the extraction opening is not covered.</li><li>• Check the oil level in the pump.</li><li>• Check/replace the oil exhaust filter.</li><li>• Check/replace the lid gasket.</li></ul>	<p><i>Operation</i> on page 21.</p> <p><i>Vacuum Pump maintenance</i> on page 37.</p> <p><i>Replacing the Oil Exhaust Filter</i> on page 41.</p> <p><i>Replacing the Lid Gasket</i> on page 36.</p>
Vacuum process is slow.	<ul style="list-style-type: none"><li>• Make sure that the extraction opening is not covered.</li><li>• Check the oil level in the pump.</li><li>• Check/replace the oil exhaust filter.</li></ul>	<p><i>Replacing the Oil Exhaust Filter</i> on page 41.</p>

Malfunction	Activity	More information
Vacuum bag is not sealed correctly.	<ul style="list-style-type: none"> <li>• Pull the sealing bar out of the machine and clean the contact surfaces in the mounting holes of the sealing bar.</li> <li>• Check the seal settings of the program and adjust them.</li> <li>• Check/replace the Teflon tape and the sealing wires.</li> <li>• Check/replace the silicone rubber of the silicone holders.</li> <li>• Check the inside of the vacuum for contamination and clean it.</li> </ul>	<p><i>Operation</i> on page 21.</p> <p><i>Replacing the Sealing Wire</i> on page 33.</p> <p><i>Replacing the Silicone Rubber of the Silicone Holders</i> on page 35.</p>

## Error messages

Malfunction	Activity	More information
<p><b>CYCLE ABORTED!</b></p> <p>Cycle aborted!</p>	<ul style="list-style-type: none"> <li>• Check whether the lid is open.</li> <li>• Close the lid.</li> </ul>	Do not open the lid before the program is finished.
<p><b>PRESSURE SENSOR FAILURE!</b></p> <p>Pressure sensor failure!</p>	<ul style="list-style-type: none"> <li>• Check whether the sensor is connected.</li> </ul>	In case the malfunction reoccurs, contact your supplier.
<p><b>WARNING PUMP CLEANING NEEDED</b></p> <p>Pump cleaning needed!</p>	<ul style="list-style-type: none"> <li>• Run the pump cleaning program.</li> </ul>	Start the pump cleaning program by closing the lid. The program takes 15 minutes.
<p><b>WARNING OIL CHANGE NEEDED</b></p> <p>Oil change needed!</p>	<ul style="list-style-type: none"> <li>• A service check is needed.</li> </ul>	<p>Activity: A service check is needed</p> <p>For more information: contact your supplier</p>

## 9 Disposal



Do not dispose of oil and components as household waste. When replacing oil or components at the end of the service life, ensure that all materials are collected and disposed or reused in a legal and environmentally sound manner.

# 10 Appendices

## 10.1 Technical Data

### 10.1.1 Aero series

Aero	35	35+	42	42+	42XL	42XL+
<b>General</b>						
Ambient temperature during operation	5 to 30°C	5 to 30°C	5 to 30°C	5 to 30°C	5 to 30°C	5 to 30°C
Machine working conditions: relative humidity (non-condensing)	10-90%	10-90%	10-90%	10-90%	10-90%	10-90%
Sound emission	< 70 dB(A)	< 70 dB(A)	< 70 dB(A)	< 70 dB(A)	< 70 dB(A)	< 70 dB(A)
Maximum daily production	5 hrs/day	5 hrs/day	5 hrs/day	5 hrs/day	5 hrs/day	5 hrs/day
<b>Dimensions of the machine</b>						
Width	451 mm	451 mm	491 mm	491 mm	491 mm	491 mm
Length	543 mm	543 mm	523 mm	523 mm	613 mm	613 mm
Height	454 mm	454 mm	464 mm	464 mm	469 mm	469 mm
Weight	36 kg	41 kg	57 kg	61 kg	68 kg	72 kg
<b>Maximum product height</b>	150 mm	150 mm	180 mm		180 mm	
<b>Electrical connection</b>						
Supply voltage	*	*	*	*	*	*
Connected load	*	*	*	*	*	*
<b>Vacuum pump</b>						
Capacity	8 m <sup>3</sup> /h	16 m <sup>3</sup> /h	16 m <sup>3</sup> /h	21 m <sup>3</sup> /h	16 m <sup>3</sup> /h	21 m <sup>3</sup> /h
Oil	0.25 litre	0.3 litre	0.3 litre	0.5 litre	0.3 litre	0.5 litre
Type of synthetic oil	Foodmax Air 32	Foodmax Air 32	Foodmax Air 32	Foodmax Air 32	Foodmax Air 32	Foodmax Air 32
Ambient temperature synthetic oil	-10 to 40°C**	-10 to 40°C**	-10 to 40°C**	-10 to 40°C**	-10 to 40°C**	-10 to 40°C**

\*See machine plate.

\*\*For different temperatures, please contact your dealer.

## 10.2 Electrical Installation

The electrical installation provides power for the vacuum pump, the seal system and the operation of the machine.

See the electrical diagram for the further structure and operation of the electrical installation. Please contact your supplier for the electrical diagram.



Only a technical expert may perform work on the electrical installation.

The machine consists of the following electrical components:



Figure 16: Overview of the Electrical Installation

### 1. Power connection

This serves to connect the machine to the power supply.

### 2. Control panel

This serves to operate the control functions. Your machine has the following control option:

- *Aero Control System* on page 21

## 10.3 Vapour Pressure Curve of Water

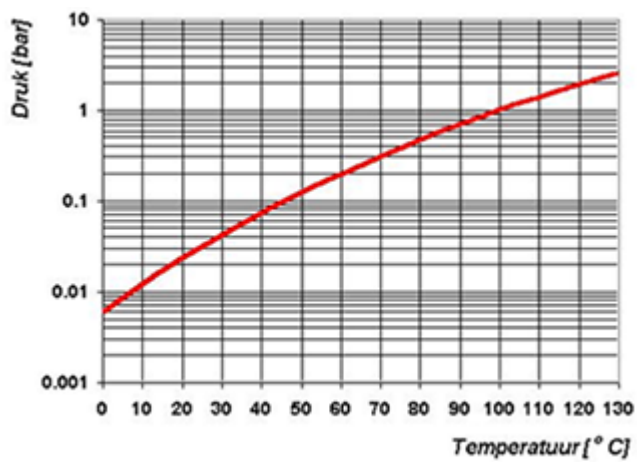


Figure 17: Vapour Pressure Curve of Water

## 10.4 Logbook

This logbook must include:

- Annual maintenance work
- Major replacements and emergencies
- Modifications
- Tests of the emergency stop buttons and safety devices

<b>Date:</b>	<b>Performed by: (authority, technician)</b>	<b>Description: (nature of the activities, which parts have been replaced)</b>

Date:	Performed by: (authority, technician)	Description: (nature of the activities, which parts have been replaced)











**Henkelman BV**  
Titaniumlaan 10  
5221 CK 's-Hertogenbosch  
The Netherlands  
+31 (0)73 621 3671

**Sales support**  
[info@henkelman.com](mailto:info@henkelman.com)

**Service/technical support**  
[service@henkelman.com](mailto:service@henkelman.com)