

UNLESS OTHERWISE SPECIFIED:  
 DIMENSIONS ARE IN MILLIMETERS  
 TOLERANCES: LINEAR: +/-0.2mm  
 ANGULAR: +/-0.5°

DESCRIPTION: MIX PB3 Exploded Diagram

DWG NO.: 1000870 - Mix PB3

MATERIAL: mm

DRAWN BY KH

APPROVED BY BB

REVISION e

10-02-2023

10-02-2023

CO:

884

10-02-2023

10-02-2023

884

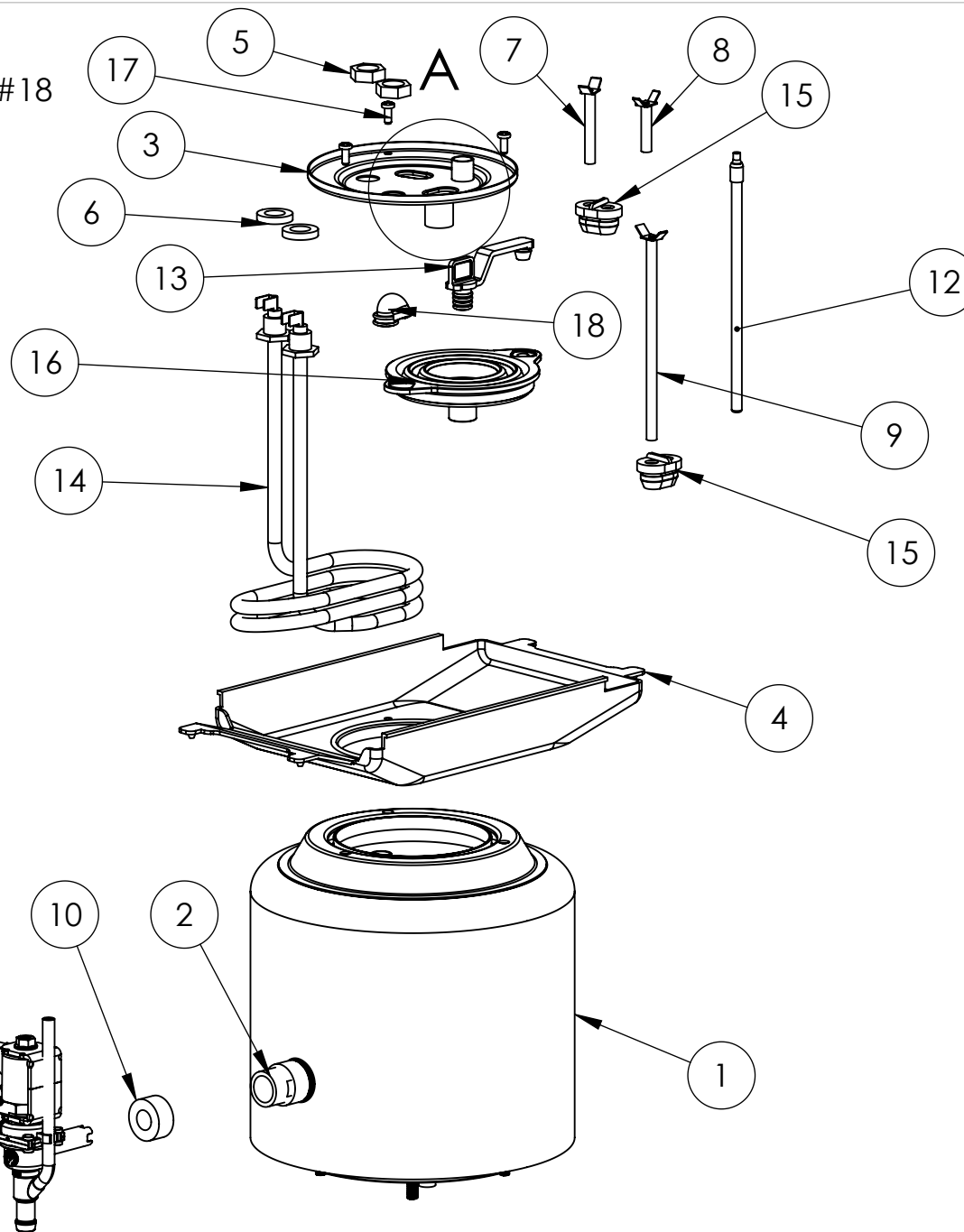
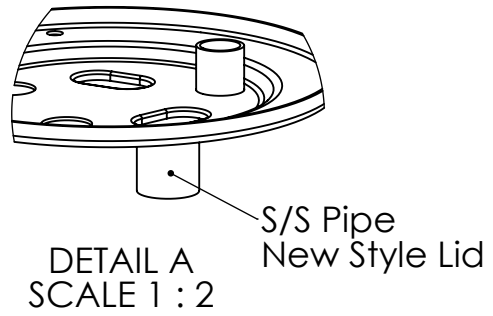
SCALE:1:6

ITEM NO.	PART NUMBER	DESCRIPTION	QTY.
1	1860324	Mix Base - no Filter	1
2	1860316	Mix Tank Support Assy	1
3	1860308	Mix Fascia Middle PB3	1
4	1860315	Mix Cup Well - No Filter	1
5	1860301	Mix Drip Tray	1
6	1860303	Mix Drip Tray Insert	1
7	1860314	Mix Side 3L	2
8	1860309	Mix Rear Panel PB3	1
9	1860302	Mix Top Lid	1
10	1860307	Mix Rubber Foot	4
11	1860318	Mix Side Panel PB3	2
12	1860304	Mix Fascia Upper	1
13	1860306	Mix Clear Screen	1
14	1860305	Mix Button	3
15	1860317	Mix Brace Assy	3
16	1860337	Mix Drain Plug	1
17	1600387	PCB Control Mix	1
	1600391	PCB Control Mix 120V	
18	1501156	Socket IEC C20	1
19	1501935	Dual Pole Rocker Switch	1
20	1800637	Hose LDPE - 1/4"	430mm
21	1400772	Elbow Barbed Connector - ATEB 0605	1
22	1800630	Silicone Hose 8mmID x 12mm OD	200mm
23	1400817	Elbow Push Fit 3/8" - 1/4" - ATEU 0406	1
24	1600455	Triac ST-BTA25	1
25	1502199K	Valve Inlet Solenoid Dual 110V (1.2/3.8 l/m) - 3/8" push fit (Serial Number after	1
	1502197	Dual inlet solenoid 120v	1
27	1860342	Mix Deflector Shield - Front	1
28	1860343	Mix Deflector Shield - Rear	1
29	1502072	Thermal Switch Mount Brass	1
30	-	Mix Vacc Tank 3L Assembly	1
31	1800690	Hose Water Inlet 3/4" WRC	1
	1800692	Hose Water Inlet 3/8 NPT	1

ITEM NO.	PART NUMBER	DESCRIPTION	QTY.
32	1501489	Cord set IEC C19 BS1363 UK	1
	1501487	Cord set IEC C19 CEE7 EU	1
	1501487	Cord set IEC C19 NEMA L6-20P US	1
	1501506	Power Cord IEC C19 to NEMA 5-15, 15A/125V	
33	1860311	Hose Silicone Dispense Mix	1
34	1400816	Elbow Push Fit 1/4" - 1/4" - ATEU 0404	1
35	1502073	Thermal Switch M4 stud 95oC Mix	1
36	1800696	Hose Vent Mix	1
37	1800620	Silicone Hose - Tank Vent	1
38	1800545	Clip Hose Plastic 13mm Type E	1
39	1800541	Clip Hose Plastic 11mm Type c	1

	UNLESS OTHERWISE SPECIFIED: DIMENSIONS ARE IN MILLIMETERS TOLERANCES: LINEAR: +/-0.2mm ANGULAR: +/-0.5°	DESCRIPTION:	MIX PB3 Exploded Diagram	DRAWN BY:	KH	10-02-2023	
		DWG NO.:	1000870 - Mix PB3	APPROVED BY:	BB	10-02-2023	
		MATERIAL:	mm	REVISION	e	CO:	884

NOTE:  
 Part # 3 New style lid with S/S Pipe  
 New Style lid does not require part #18



UNLESS OTHERWISE SPECIFIED:  
 DIMENSIONS ARE IN MILLIMETERS  
 TOLERANCES: LINEAR: +/-0.2mm  
 ANGULAR: +/-0.5°

DESCRIPTION: MIX PB3 Exploded Diagram

DWG NO.: 1000870 - Mix PB3

MATERIAL: mm

DRAWN BY: KH

10-02-2023

APPROVED BY: BB

10-02-2023

REVISION: e

CO:

884

SCALE:1:6

ITEM NO.	PART NUMBER	DESCRIPTION	QTY.
1	2300731	Vacuum Tank 3L	1
2	1401902	Spigot Stub Threaded 26mm	1
3	1860319	Mix Vacuum Tank Lid	1
4	1860310	Mix Tank Gasket	1
5	1401000	LOCKNUT 1/4" BSP BRASS	2
6	1801375	Silicone Washer 21x12x4mm	2
7	2300455	Probe High Level - Mix	1
8	2300458	Probe Overflow - Mix	1
9	2300456	Probe Low Level 3L Tank - Mix	1
10	1502147	Valve Dispense Solenoid Plug M00849	2
11	1502148	Valve Dispense Solenoid Muller	1
	1502167	120v dispense Solenoid	1
12	1600693	Thermistor Assembly Mix 3L	1
13	1860339	Mix Descale Funnel Bung	1
14	1500991	Mix Element 3L	1
	1500993	MIX Element 3L 120V	1
	1500991MJ	200V MIX Element 3L	1
15	1860326	Mix Level Probe Grommet	2
16	1860338	Mix Descale Funnel	1
17	1041976	Screw philips H Brass BN4825-M4x12	3
18	1800672	Jet Basket Syphon	1

	<small>UNLESS OTHERWISE SPECIFIED: DIMENSIONS ARE IN MILLIMETERS TOLERANCES: LINEAR: +/-0.2mm ANGULAR: +/-0.5°</small>	DESCRIPTION:	MIX PB3 Exploded Diagram	DRAWN BY	KH	10-02-2023	
		DWG NO.:	1000870 - Mix PB3	APPROVED BY	BB	10-02-2023	
		MATERIAL:	mm	REVISION	e	CO:	884