

UNLESS OTHERWISE SPECIFIED:
 DIMENSIONS ARE IN MILLIMETERS
 TOLERANCES: LINEAR: +/-0.2mm
 ANGULAR: +/-0.5°

DESCRIPTION: Mix UC8
 DWG NO.: 1000887 - Mix UC8
 MATERIAL: mm

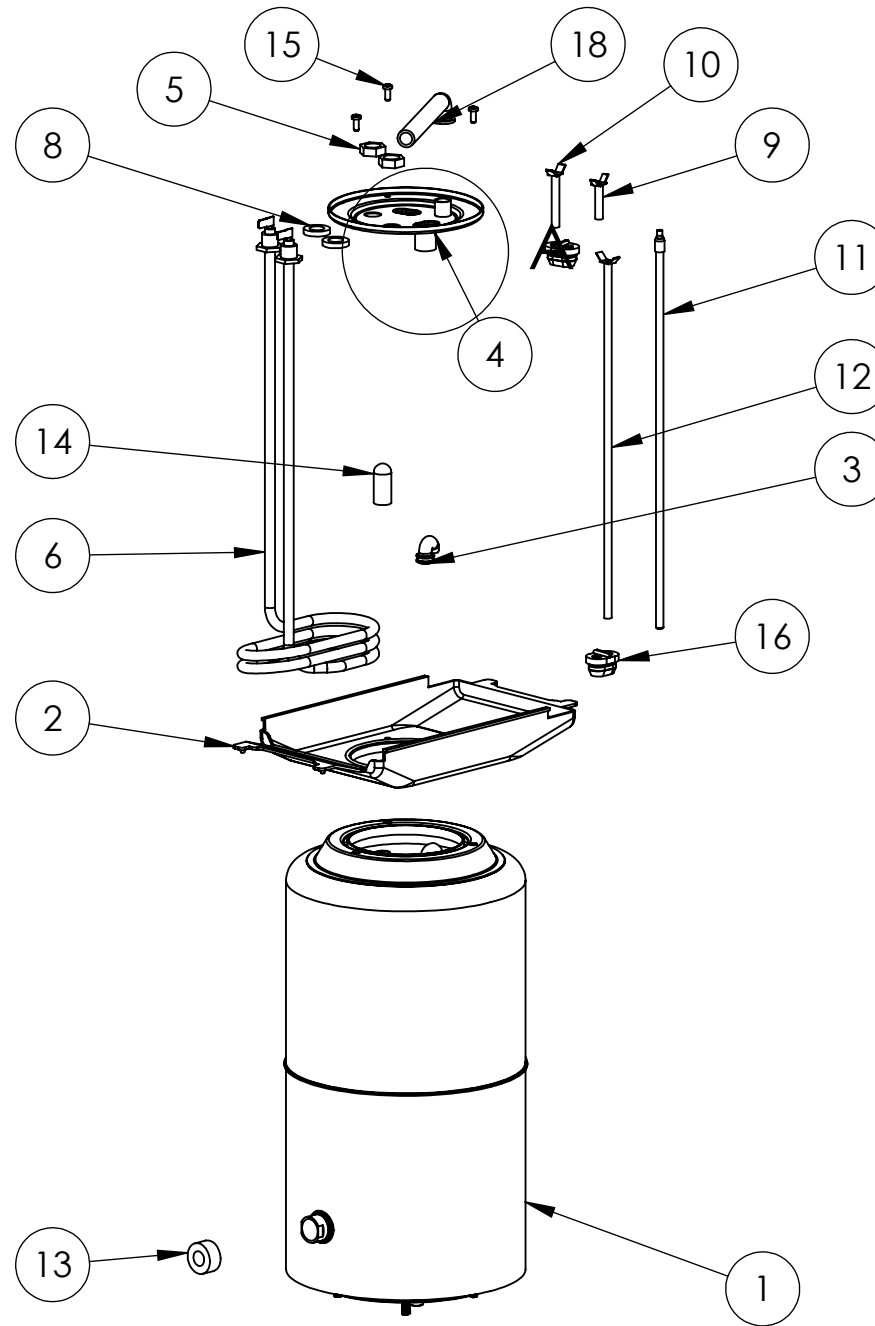
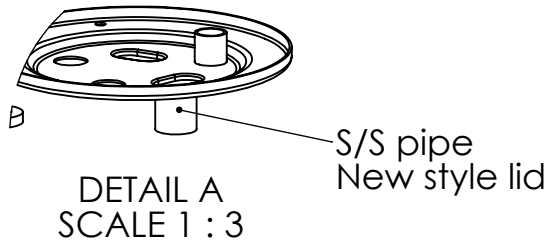
DRAWN BY	BB	20/01/22
APPROVED BY	DW	20/01/22
REVISION	e	CO: 723
		SCALE:1:6

ITEM NO.	PART NUMBER	DESCRIPTION	QTY.
1	1860324	Mix Base - no Filter	1
2	1860307	Mix Rubber Foot	4
3	1860316	Mix Tank Support Assy	1
4	1860317	Mix Brace Assy	3
5	1860315	Mix Cup Well - No Filter	1
6	1860337	Mix Drain Plug	1
7	1501156	Socket IEC C20	1
8	1501935	Dual Pole Rocker Switch	1
9	1400772	Elbow Barbed Connector - ATEB 0605	1
10	1800630	Silicone Hose 8mm ID x 12mm OD	200mm
11	1400773	Barbed Connector - ATBC 0605	1
12	1400437	Bulkhead Connector 8mm (Legris)	1
13	1400436	Bulkhead Connector 1/4" (Legris)	1
14	1401658	Reducer Connector 3/8" - 1/4" - ARD 0406	1
15	1600455	Triac ST-BTA25	1
16	1502193	Valve Inlet Solenoid Dual - 3/8" Push Fit	1
	1502197	Valve Inlet Solenoid Dual 120V	1
18	1860342	Mix Deflector Shield - Front	1
19	1860343	Mix Deflector Shield - Rear	1
20	1601000	Power Supply 24V Dc	1
21	1401449	Plug Blanking Metal - 7604	1
22	1501121	Fuse Holder Snap Fit	1
23	1860346	Mix Side UC8	2
24	1800637	Hose LDPE - 1/4"	520mm
25	1860313	Mix Rear T8	1
26	1860330	Mix Fascia Middle PB8	1
27	1860304	Mix Fascia Upper	1
28	1860302	Mix Top Lid	1
29	1860320	Mix Side Panel T8	2
30	1600387	PCB Control Mix	1
	1600391	PCB Control Mix 120V	1
32	1860306	Mix Clear Screen	1
33	1860305	Mix Button	3
34	-	Mix Vacc Tank 8L Assembly	1
35	1800692	Hose Water Inlet 3/8 NPT	1
36	1800690	Hose Water Inlet 3/4" WRC	1
37	1501488	Cord set IEC C19 CEE7 EU	1
	1501487	Cord set IEC C19 NEMA L6-20P US	1
	1501489	Cord set IEC C19 BS1363 EU	1
	1501506	Power Cord IEC C19 to NEMA 5-15, 15A/125V	1

ITEM NO.	PART NUMBER	DESCRIPTION	QTY.
36	1402162	Tailpiece Hose Elbow 1/4" BSP Fem x 12mm	1
37	1800630	Silicone Hose - Pump Outlet	1
38	1501562	Pump Muller 24V Mini	1
39	1402442	Washer M4 Nylon Black 4.3x9x0.8mm	4
40	1860348	Mix Pump Support Bracket	1
41	1800541	Clip Hose Plastic 11mm Type c	1
42	1800545	Clip Hose Plastic 13mm Type E	1

	UNLESS OTHERWISE SPECIFIED: DIMENSIONS ARE IN MILLIMETERS TOLERANCES: LINEAR: +/-0.2mm ANGULAR: +/-0.5°	DESCRIPTION:	Mix UC8	DRAWN BY	BB	20/01/22	
		DWG NO.:	1000887 - Mix UC8	APPROVED BY	DW	20/01/22	
		MATERIAL:	mm	REVISION	e	CO:	723

Note:
 Part #3 new style lid with s/s pipe
 New style lid does not require part # 15



UNLESS OTHERWISE SPECIFIED:
 DIMENSIONS ARE IN MILLIMETERS
 TOLERANCES: LINEAR: +/-0.2mm
 ANGULAR: +/-0.5°

DESCRIPTION:	Mix UC8	DRAWN BY	BB	20/01/22
DWG NO.:	1000887 - Mix UC8	APPROVED BY	DW	20/01/22
MATERIAL:	mm	REVISION	e	CO: 723
				SCALE:1:6

ITEM NO.	PART NUMBER	DESCRIPTION	QTY.
1	2300732	Vacuum Tank 8L	1
2	1860310	Mix Tank Gasket	1
3	1800672	Jet Basket Syphon	1
4	1860319	Mix Vacuum Tank Lid	1
5	1401000	LOCKNUT 1/4" BSP BRASS	2
6	1500992	Mix Element 8L	1
	1500994	Mix Element 8L 120V	1
8	1801375	Silicone Washer 21x12x4mm	2
9	2300458	Probe Overflow - Mix	1
10	2300455	Probe High Level - Mix	1
11	1600694	Thermistor Assembly Mix 8L	1
12	2300457	Probe Low Level 8L Tank - Mix	1
13	1502147	Valve Dispense Solenoid Plug M00849	1
14	1800668	Silicone Closure	1
15	1401760	Screw M4 X 10mm Pozi Pan S/S	3
16	1860326	Mix Level Probe Grommet	2



UNLESS OTHERWISE SPECIFIED:
DIMENSIONS ARE IN MILLIMETERS
TOLERANCES: LINEAR: +/-0.2mm
ANGULAR: +/-0.5°

DESCRIPTION:	Mix UC8	DRAWN BY	BB	20/01/22	
DWG NO.:	1000887 - Mix UC8	APPROVED BY	DW	20/01/22	
MATERIAL:	mm	REVISION	e	CO:	723
					SCALE:1:6