

Instruction Manual
Machine P/N: 1000201#, 1000202 #

FRIIA LITE

Contents

Introduction.....	3
1. Chiller Specification.....	4
Installation Requirements.....	4
2. Safety.....	5
3. Basic Installation.....	8
Chiller Installation.....	8
CO2 Installation.....	9
4. Chiller Operation.....	10
5. Installation Guide.....	12
6. Sanitation and Cleaning.....	23
7. Troubleshooting.....	25

Box Contents

FRIIA Lite Chiller/ Carbonator	Part no.	FRIIA Lite Chiller	Part no.
Chiller 230Vac - 50/60Hz	1000202	Chiller 230Vac-50/60Hz	1000201
2m length 3/8" Tube (water)	1800627	2m length 3/8" Tube (water)	1800627
3/4" BSPF x 3/8" Push fit Adaptor	1400822	3/4" BSPF x 3/8" Push fit Adaptor	1400822
3/8" [Y] x 2-Way Divider	1400814	3/8" [Y] x 2-Way Divider	1400814
3/8" x 3/8" elbow		3/8" x 3/8" elbow	
Fixing bracket		Fixing bracket	
Power cable		Power cable	
User manual	1900960	User manual	1900960
Chiller to Boiler Harness	1501180	Chiller to Boiler Harness	1501180

It is highly recommended to fit a water regulator to the supply feed. In the event of mechanical failure a regulator set correctly will ensure the water supply is cut. Marco suggests 10 litres continuous flow.

Accessories

Part no.	Description
1600860#	FRIIA Fan Assembly (Wall Socket)

Introduction

The information provided in this manual is intended to assist in the installation and maintenance of the Marco FRIIA Lite System. Please read the instructions carefully to prevent accidents and ensure an efficient installation. This manual is not a substitute for any safety instructions or technical data affixed to the machine or its packaging. All information in this manual is current at the time of publication and is subject to change without notice. Only technicians or service providers authorised by Marco should carry out installation and maintenance of these machines. Marco accepts no responsibility for any damage or injury caused by incorrect or unreasonable installation and operation. Do not allow anyone to operate the equipment unless suitably trained. Keep the equipment in good working order and do not allow any modifications unless authorised by the manufacturer.

RATING PLATE

FRIIA Lite Chiller Carbonator

MODEL: 1000202
 RATED VOLTAGE: 230V~
 RATED FREQUENCY: 50/60Hz
 RATED POWER: 220W
 RATED COOLING CURRENT: 1.0A
 REFRIGERANT: R600a/35g
 WORKING WATER PRESSURE: 0.1-0.4MPa
 CLIMATE CLASS: T
 SERIAL NO.:

QC PASSED

UK CA CE

MADE IN CHINA

Marco Beverage Systems LTD.
 74 Heather Road, Sandyford Business Park, Dublin 18, Ireland
 Tel: IRL +353(0)1 2952674

FRIIA Lite Chiller

MODEL: 1000201
 RATED VOLTAGE: 230V~
 RATED FREQUENCY: 50/60Hz
 RATED POWER: 177W
 RATED COOLING CURRENT: 1.0A
 REFRIGERANT: R600a/35g
 WORKING WATER PRESSURE: 0.1-0.4MPa
 CLIMATE CLASS: T
 SERIAL NO.:

QC PASSED

UK CA CE


MADE IN CHINA

Marco Beverage Systems LTD.
 74 Heather Road, Sandyford Business Park, Dublin 18, Ireland
 Tel: IRL +353(0)1 2952674

- A. Model Number and name.
 - B. Rated Voltage.
 - C. Rated Power.
 - D. Product serial code (mmyyxxxxx)
 - E. Contact details.
 - F. WEEE Logo
 - G. Regulatory standard logo
- This logo indicates that the product must not be disposed of as household waste. To help prevent possible harm to human health and/or the environment, the product must be disposed of in an approved and environmentally safe recycling process. For further information on how to dispose of this product correctly, contact product supplier, or the local authority responsible for waste disposal in your area.
- This equipment has been designed and tested to comply with all applicable regulatory standards set by international, independent and government authorities.

WARNING:

The refrigerant R600 (Iso-Butane) is flammable and it must be handled only by competent and responsible operators, under the conditions specified in the safety regulations in force.



R600a

Risk of Fire / Flammable materials



R600a

DO NOT SMOKE



NO NAKED FLAMES



1. Chiller Specification

Model	1000201	1000202
Description	FRIIA Lite Chiller	FRIIA Lite Chiller/Carbonator
Power Supply Voltage & Frequency (V/Hz):	230V ~ 50/60Hz	220-240V ~ 50/60Hz
Power Consumption:	177W	220W
Colling capacity:	>12 L/h ($\Delta T \geq 10^{\circ}C$)	>12 L/h ($\Delta T \geq 10^{\circ}C$)
Pouvoir Hydrogène PH	6.5 ~ 8.5	6.5 ~ 8.5
Applicable Water Pressure	0.1 ~ 0.4Mpa	0.1 ~ 0.4Mpa
Room Temperature	4 ~ 38°C	4 ~ 38°C
Applicable Inlet Water	TDS<350ppm	TDS<350ppm
Particular removable	>99.7%	>99.7%
Smell/Taste	Remove	Remove
Visible object	Remove	Remove
Chlorine Reduction	>97.4%	>97.4%
Cysts	>99.99%	>99.99%
Carbonation tank Capacity	/	0.45L
Volume/Gas	/	>2.5V/gas
Sparkling water flow rate	/	$\geq 1.8L/min$
CO2 Reducer	/	Micro CO2 Reducer thread ACME
Rechargeable CO2 Bottle	/	60lt / 360-410gr
Cooling System	Ice Bank	Ice Bank
Cold Water Flow Rate	$\geq 1.5L/min$	$\geq 1.5L/min$
Cooling Power	100W	100W
Product Size	279x468x412mm (WxDxH)	279x468x412mm (WxDxH)
Weight (Net/Gross) (Kg)	17.8/20.7 kg	18.3/21.2 kg

1.1 Installation Requirements

Mains water pressure required downstream of any filter systems:	0.1~0.4MPa (1~4 bar) (100~400kPa) (15.4~61.6 psi)
If mains pressure is below 1 bar or the flow rate is less than 2L/min:	Fit a device capable of increasing the mains pressure (autoclave or similar). ensure your water net is able to supply at least 2L/min water flowrate.
Water connection:	3/8" Quick connection fitting.
Electrical requirements 230V:	Two 13 amp sockets operating on 230V single phase.
Machine location:	The machine must be located in a well ventilated space, at least 10cm (3.9inch) around back and top for ventilation.

2. Safety

2.1 IMPROPER USE

This equipment is designed solely for the use and conditions as outlined in this manual. The use of this equipment for any other purpose is not permitted in any circumstance. This unit can be used by adults without any experience and knowledge under supervision or after instruction on the safe use of the equipment and have understood the risks. Children should not operate the equipment. Installation cleaning and user maintenance must not be carried out by children. This equipment is not intended to be used by people (including children) with reduced physical or sensory capacities or with a lack of experience and knowledge, unless under supervision instructed by someone responsible for their safety. For safety reasons, and in accordance with the current legislation, any repair operations on the equipment must be carried out by the Service Centre.

- Do not alter or tamper with the chiller components; if they are not operating properly contact the Service Centre.
- Do not place anything on top of the boiler or chiller.
- Do not run any other liquid besides water through the system.
- If you believe the system to be damaged, contact Marco Beverage Systems.

If the inlet hose is damaged, it must be replaced with a new inlet hose-set compliant to EN 61770 or IEC 61770.

2.2 SYMBOLS USED IN THE MANUAL

This manual uses the following safety symbols to draw the operator's attention to all operations which must be strictly observed in order to prevent injury to persons or damage to the equipment.



DANGER

Shows the existence, on or around the equipment, of a real risk of death or severe injury for the operator and other persons; it is therefore essential to take the greatest care and proceed with the greatest caution.



WARNING

Shows the existence, on or around the equipment, of a potential risk of death or severe injury for the operator or other persons; it is therefore essential to take great care and proceed with the greatest caution.



CAUTION

Shows the existence, on or around the equipment, of a potential risk of minor injury for the operator or other persons; it is therefore essential to take great care and proceed with the greatest caution.

2.3 LIST OF HAZARDS

The following list of hazards draws attention to safety aspects which must be considered at all times by anyone using the equipment.



DANGER

CO₂ (CARBON DIOXIDE)

CO₂ cylinders must always be stored in a well-ventilated place where the air can flow in and out. Great care must be taken to prevent CO₂ leaks throughout the system, including the gas cylinders. If a CO₂ leak is suspected, especially in a small area, ventilate the contaminated area at once, persons exposed to high concentrations of CO₂ will experience trembling, swiftly followed by unconsciousness and suffocation.



DANGER

ELECTRICAL MAINS

Always disconnect the equipment from the electricity supply before carrying out any work, to prevent damage and health hazards.



DANGER
EXTERNAL GAS CYLINDER LOCATION

To prevent the risk of injury or damage, the CO₂ cylinder must always be kept in a vertical position against a wall, held in place by a chain fixed to a bracket. Do not expose the bottle to heat sources or very low temperatures. Only super-dry food grade CO₂ should be used.
Before connecting the pressure reducer to the gas cylinder, always vent any dirt from the valve, and close the cylinder valve after few seconds



DANGER

Keep the ventilation openings on the equipment and on the cabinet in which the system is installed free from obstruction.



DANGER
AUTHORIZED TECHNICAL STAFF

The refrigerant R600 (Iso-Butane) is flammable and it must be handled only by competent and responsible operators, under the conditions specified in the safety regulations in force.



CAUTION
ELECTRICAL REQUIREMENTS

The electrical circuit must be correctly earthed and connected by means of a suitable differential safety breaker.



CAUTION
REPLACEMENT OF THE POWER CABLE

If the power cable is damaged, it must be replaced by the manufacturer or their assistance service or a similarly qualified person in order to prevent any possible risk.



CAUTION
LOW TEMPERATURE

If the equipment is exposed to temperatures lower than 0°C, the water inside could turn to ice and damage the equipment.



CAUTION
SANITISATION

Before sanitising the equipment, carefully read the instructions given by the sanitisation product manufacturer and put on all the necessary personal protective equipment (gloves, masks, etc.). Ensure that the premises are well ventilated.
The sanitisation operations should only be carried out by specialised technical assistance personnel.



CAUTION
ELECTRIC POWER SUPPLY

Do not connect or disconnect the machine from the socket with wet hands.
Insert the plug into the wall socket firmly.
Do not pull on the supply cable in order to remove the plug from the socket.



WARNING
MALFUNCTION

If smoke, unusual smells or strange noises are emitted from the machine, disconnect it immediately from the socket and contact the local retailer or technical service assistance.
Use of the machine in these conditions could cause fires or electric shocks.



ATTENTION

If the equipment is installed in a kitchen, European Standard EN 60335-2/75 specifies that it must be connected to an equipotential circuit via a wire with section between 2,5 and 10 mm². This connection must be carried-out by a skilled technician, in compliance with the regulation in force in the country of use.



WARNING
WATER SUPPLY
Connect the water dispenser exclusively to a line of drinkable water supply.



WARNING
WATER SUPPLY
In order to avoid accidental flooding due to losses that may occur on the water supply line, external or internal device it is necessary to install the appropriate anti-flooding valve "WATER BLOCK" (not included in the unit).



DANGER
Do not use or store cylinders of CO₂ at temperatures above 35°C.
Do not use or store cylinders of CO₂ inside the appliance.



DANGER
PRESSURE REDUCER
Never connect CO₂ cylinder directly to the equipment. Always use a suitable pressure reducer.



ATTENTION
Do not spray water on the device; this could cause electric shocks or fires.



WARNING
Do not damage the refrigerant circuit



WARNING
Do not store explosive substances such as aerosol cans with a flammable propellant in the appliance



ATTENTION
This appliance is intended to be used in household and similar applications such as:
-Staff kitchen areas in shops, offices and other working environments
-farm houses and by clients in hotels, motels and other residential type environments
-bed and breakfast type environments
-catering and similar non-retail applications.

3. Basic Installation

3.1 UNPACKING INSTRUCTIONS

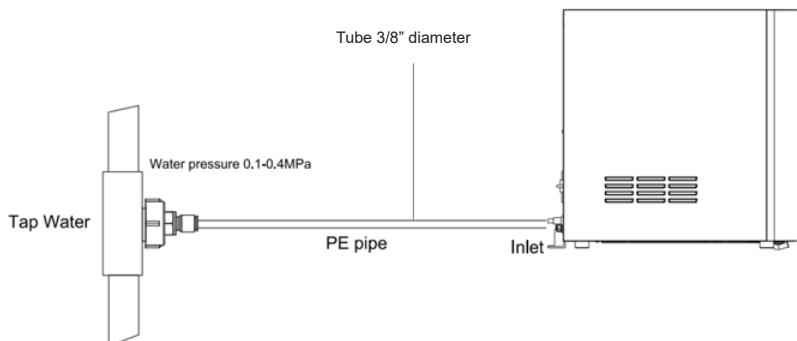
- The chiller must be handled only in a vertical position. Transporting the appliance in a horizontal position can cause severe damage to the refrigerator.
- If the chiller arrives in a horizontal position, leave to sit for 3-4 hours in the verticle position before turning the chiller on.**
- Remove the exterior and interior packing. Packing materials (especially any plastic bags) should be stored out of the reach of children, as a potential source of danger. When disposing packaging parts, please follow current regulations on the matter, separating carton from plastic parts.
- Always check that the chiller that is delivered corresponds to the model indicated in the accompanying document.
- The chiller is shipped in a cardboard box. Once the packaging has been removed, check the chiller has not been damaged in transit; if damage is found, notify the carrier.

3.2 ELECTRICAL INSTALLATION PROCEDURE

When installing the chiller, always observe the local regulations and standards. The chiller is supplied with a moulded power cord. A suitable mains power supply socket should be available within easy access of the chiller so that it can be disconnected easily after install.

3.3 PLUMBING INSTALLATION PROCEDURE

- Ensure that the chiller is installed according to local plumbing & water regulations.
- Fit a stop valve on a cold water line and attach a 3/8" BSP male fitting, (E.g. 3/4" x 1/2" 311 or washing machine type stop valve).
- Connect water supply lines following the installation drawings. As per installation guide (starting page 14).
- **Push the pipe firmly into the fittings until locked into position to avoid leaks. 15mm is the correct depth of insertion.**
- In case filter systems are used verify that they satisfy the requirements of the legislation in force.
- The chiller has a pressure reducer in case the incoming water exceeds 3 bar.
- Turn on the water to flush any impurities, dust etc from the inlet hose and water pipe. Allow several litres through. Especially for new installations.

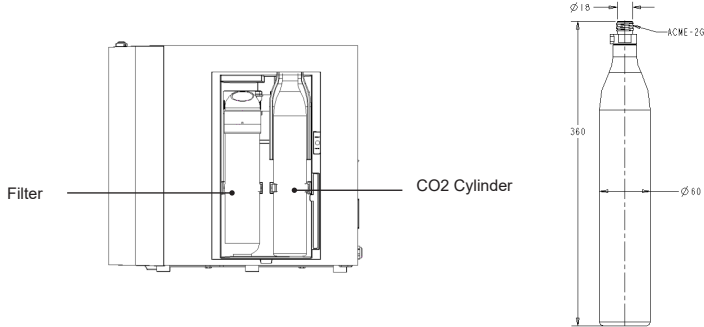


3.4 CO2 INSTALLATION PROCEDURES

There are two CO2 install options with this chiller, either an inbuilt 360-410gr/60L gas cylinder or an external CO2 cylinder.

INTERNAL GAS CYLINDER

Open the side door. Install the CO2 cylinder into the machine. A compatible gas cylinder to use is the Sodastream 60L cylinder <https://sodastream.co.uk/pages/co2-gas-cylinders>



EXTERNAL GAS CYLINDER

The machine has an external gas connection for 8mm hose (not provided) in the rear; you must supply appropriate pressure gas (0.4MPa). Only use super-dry, food grade CO2. Before connecting the pressure reducer to the gas cylinder, always vent any dirt from the valve. Close the cylinder valve after few seconds.

GAS CYLINDER LOCATION

To prevent the risk of injury or damage the CO2 cylinder must always be kept in a vertical position against a wall, held in place by a chain and fixed to a bracket. Do not expose the bottle to heat sources or very low temperatures.

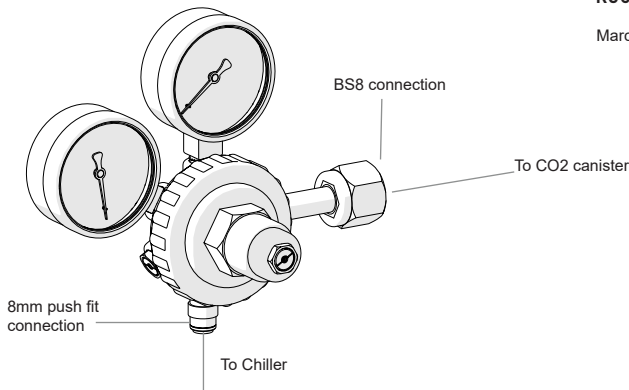
PRESSURE REDUCERS

There are different type of CO2 cylinder available. Always use a pressure reducer suitable for the type of valve on the cylinder. If you use CO2, especially in a small area, ventilate the contaminated area at once.

We advise using a Dual gauge CO2 regulator, Marco part number 1400195. Check for leaks using a solution of soapy water. 1860864 FEP Tubing 8mm OD for external gas supply.

Recommended CO2 Regulator

Marco part number 1400195



3.5 BACKFLOW PREVENTION

This chiller must be installed with adequate backflow protection to comply with all applicable federal, state and local codes.

3.6 ENVIRONMENTAL CONDITIONS

- The equipment is not suitable for external use.
- The equipment must be placed so it is protected from rain and water splashes, and in a location with the temperature appropriate to its climate class (stated in specification); otherwise warranty rights are forfeited and malfunctions may occur.

3.7 POSITIONING

- The equipment must be placed on a surface capable of bearing the weight of the dispenser complete with water.
- Install the equipment following the schematic described in this user guide (see page 12).
- The chosen position must in any case allow satisfactory ventilation; in particular, there must be a gap of at least 10 cm (3.9 in) around the back and top for ventilation.
- The equipment must not be placed close to direct or indirect heat sources (ovens, stoves, radiators, etc.). The electrical connection and water supply points must be close to the equipment and located in such a way the power cable and water hose do not form an obstruction.
- The appliance must not be installed where water jets can be generated. Do not spray water on the device; this could cause electric shock or fires.

4. CHILLER OPERATION

4.1 BEFORE USING CHILLER

•Before connecting the chiller to the power source, let it stand upright for approximately 2-3 hours, this will reduce the possibility of a malfunction.

•Check that all installation procedures have been carried out.

•Ensure water inlet is open.

Wait until the pump stops running before turning on gas or installing cylinder in the machine, to ensure the gas does not block the system.

•Ensure CO2 valve is open.

•Before supplying power to the chiller check water and CO2 lines do not leak.

•Plug the chiller into a suitable socket and turn the Cooling Switch on the rear of the chiller to the ON position.

•When the unit is on, the carbonation pump starts to fill. The carbonation device stops when it reaches the maximum level.

•If using an external CO2 Cylinder, on the pressure reducer knob, adjust CO2 pressure to a value between 50 and 65 PSI (350 and 450 kPa) (3.5 - 4.5 bar) This value depends on the temperature of the water and on the ambient temperature. The temperatures correspond to the CO2 pressure.

•The chiller will take approximately 70-120 minutes to get down to temperature depending on the temperature of your incoming water. The blue light on the front of the chiller remains flashing during this time.

•Once the blue light stops flashing and remains solid the water is chilled and at optimum temperature.

•To enable the filling of lines, push the font buttons in the following order sparkling water, cold water & hot water until the flows appear.

•At this point you can dispense water.

4.2 MAINTENANCE

Maintenance procedures (described below) are required for optimum equipment operation.

4.2.1 DAILY MAINTENANCE

1. The font. Clean the font nozzle and remove any residue using warm water; do not use solvents or abrasive detergents. If required, remove any scale with a food descaling solution.
2. Drip tray. Clean the tray and remove any residue using warm water.
3. CO2 pressure. If using an external CO2 cylinder review the CO2 pressure gauges to ensure settings are correct.
4. Power cord. Check condition of the power cord. Replace if necessary.

4.2.2 LIMESCALE

Descaling of the machine should ideally be carried out by qualified service personnel.

4.2.3 CHECK FOR CO2 PRESSURE

Review pressure CO2 gauges to ensure the settings are correct, 50 - 65 psi (350 - 450 Kpi) (3-4.5 bar)

4.3 INSTALLING AN INTERNAL CO2 CYLINDER

Open the side door. Install the CO2 cylinder into the machine. Once the CO2 cylinder is installed, the yellow CO2 light stops flashing on the front of the machine.

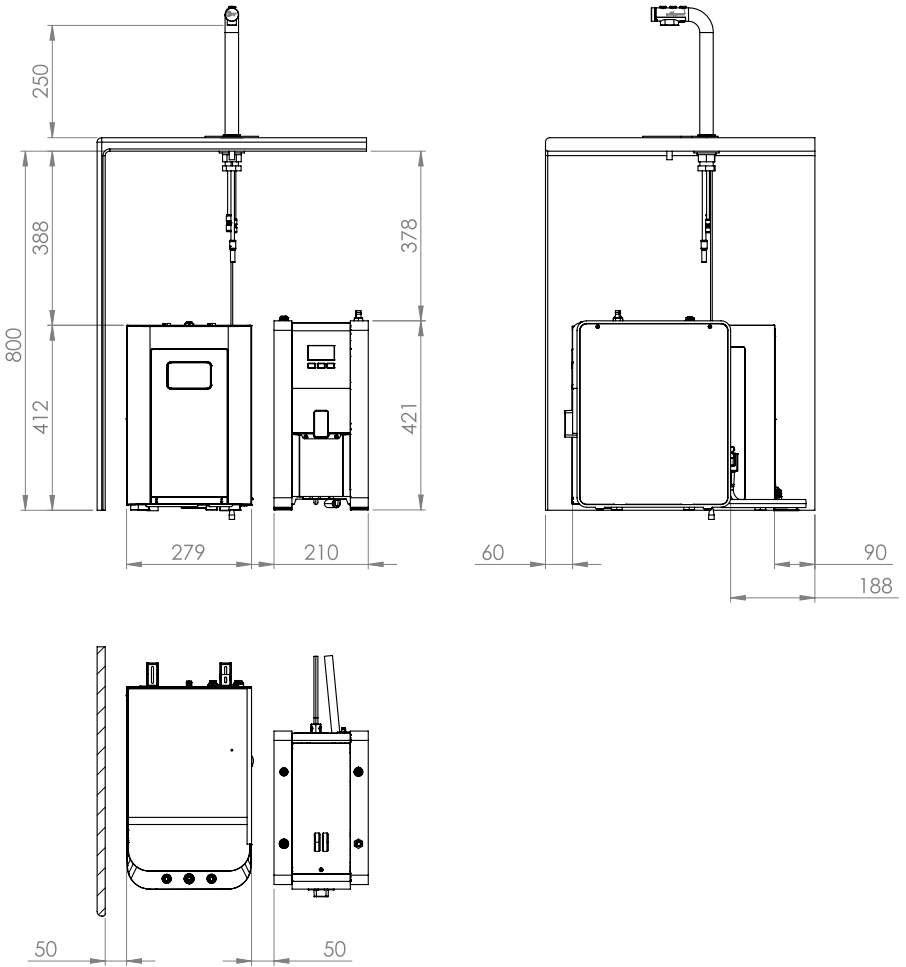
4.4 INSTALLING AN EXTERNAL CO2 CYLINDER

The cylinder must be replaced when the needle of the reducer high pressure gauge is in the red segment or when the CO2 light on the front of the chiller flashes.

1. Record the pressure values set on the pressure reducer, then fully close the bottle with the valve.
2. Remove the pressure reducer or disconnect the high pressure hose from the bottle if fitted. Check the condition of the gaskets between the reducer and the bottle, replace them if necessary.
3. Replace the CO2 cylinder by slowly opening the valve to the fully open position and check that the pressure values are as originally set.

5. FRIIA Lite Installation Guide

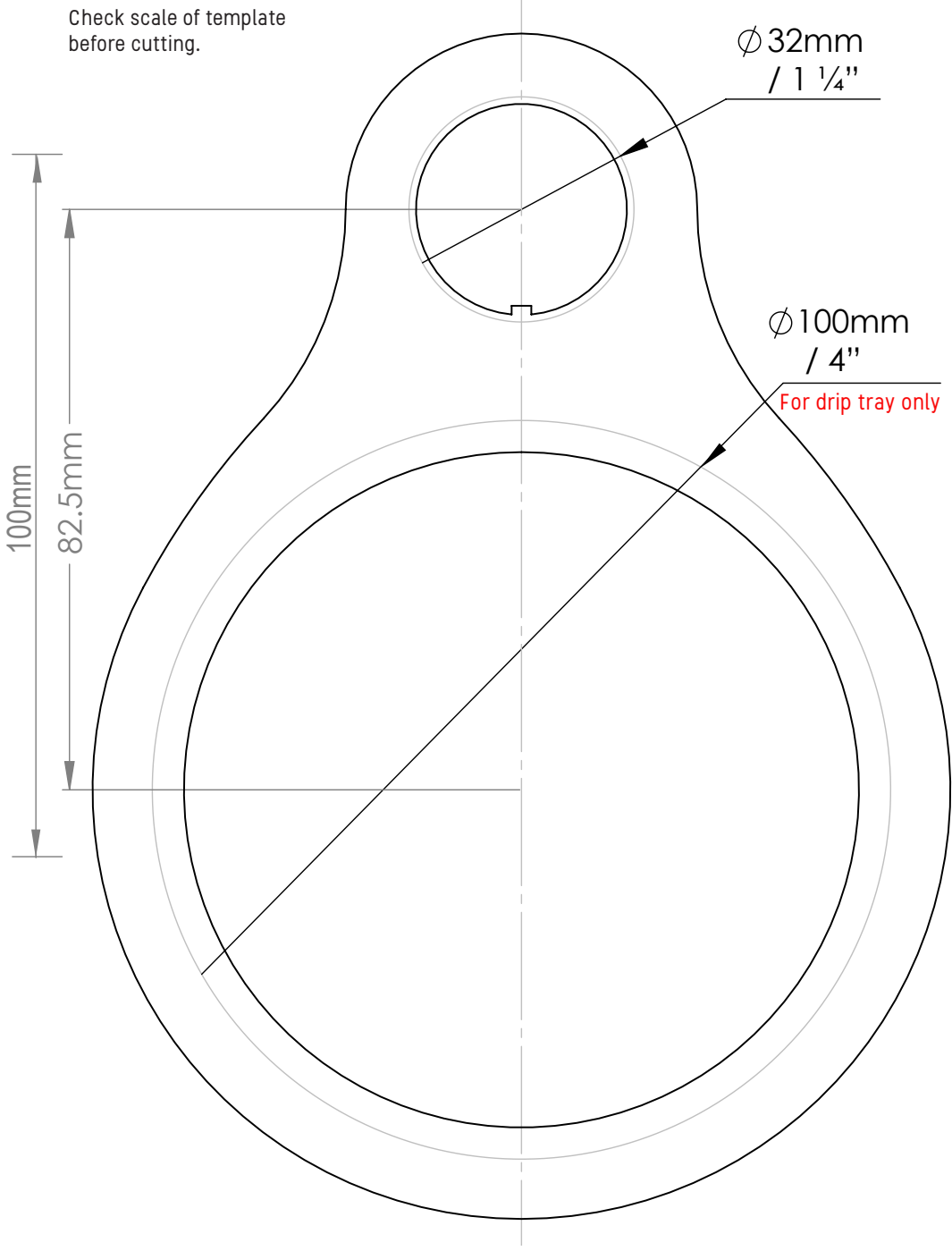
Font Positioning



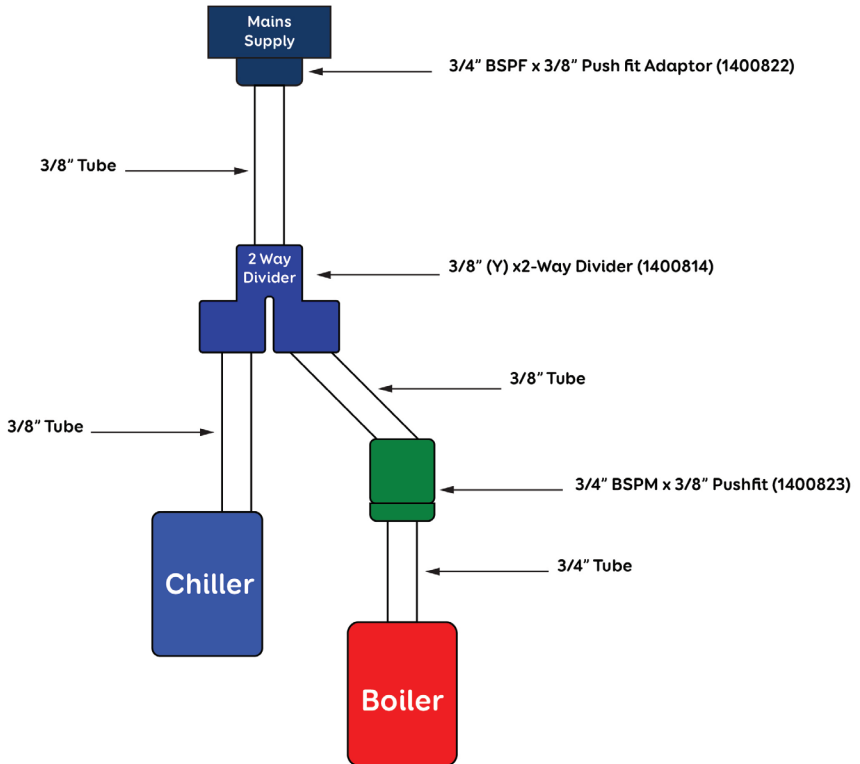
FRIIA Font Counter Cut Out

Check scale of template before cutting.

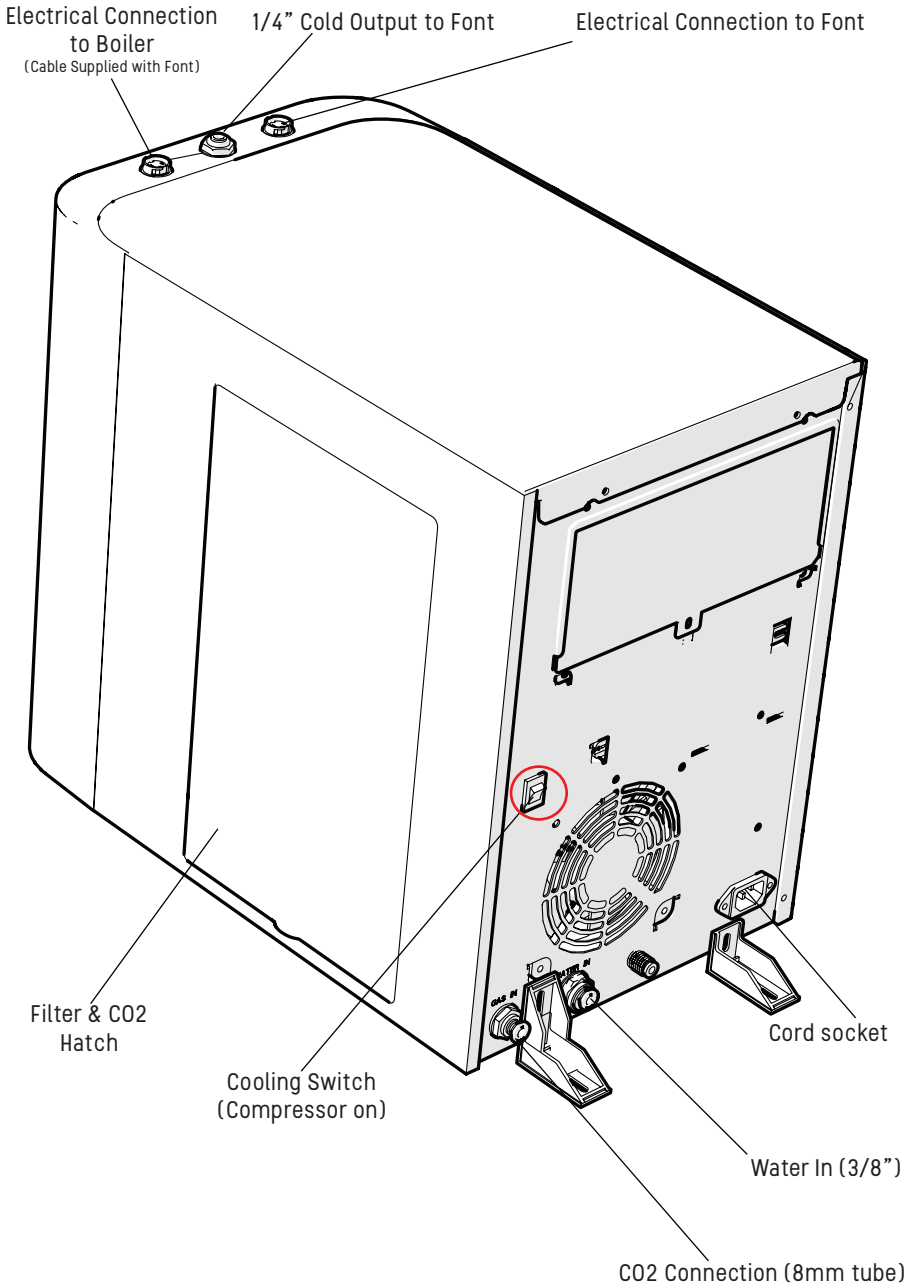
NOTE: Check scale of template before cutting. Scale should be 1:1



Recommended Plumbing



Chiller Installation






Chiller Screen Icons

Sparkling & Cold model

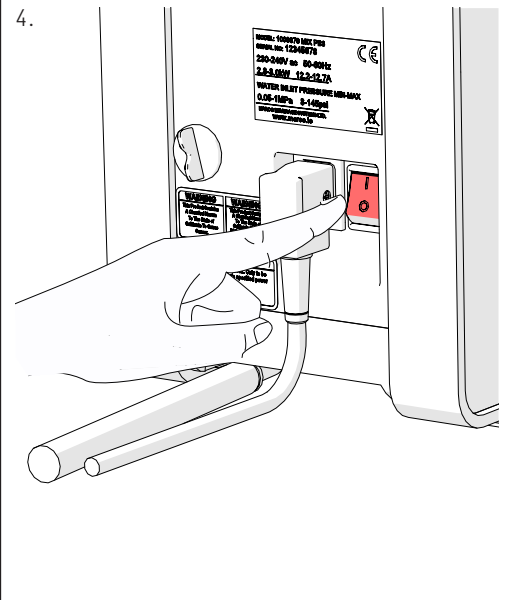
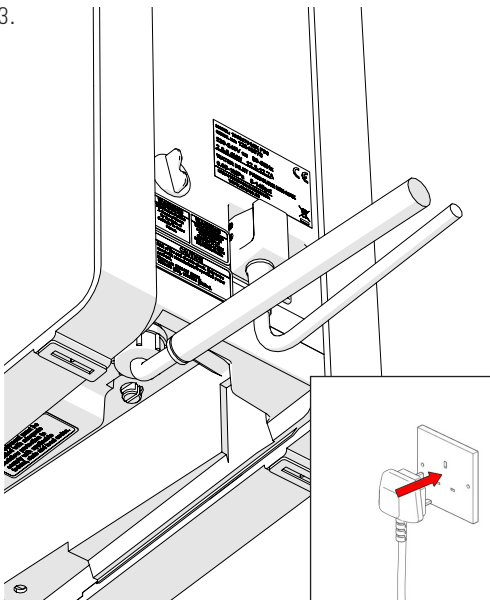
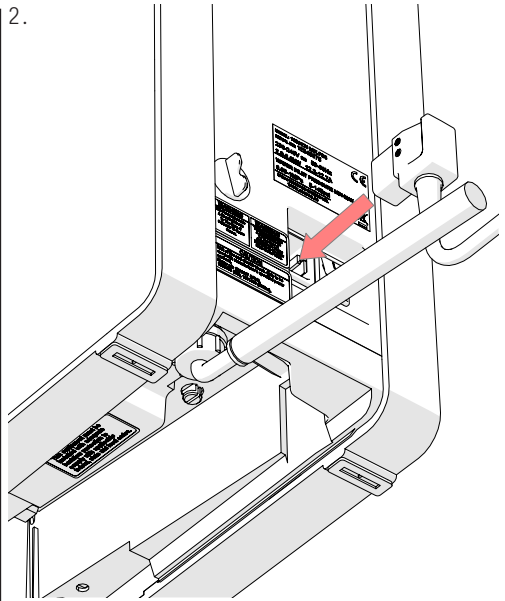
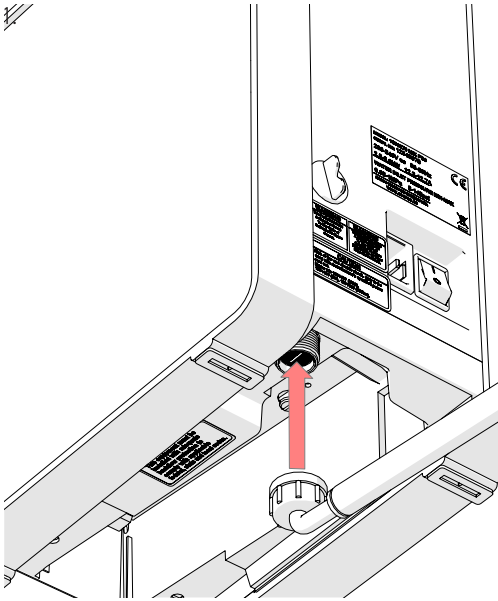


Cold only model



Icon	Description
	<p>Filter Light Lights up to indicate the filter needs to be replaced. Flashing indicates a shortage of water.</p>
	<p>Cooling Light Lights up to indicate the chiller is ready to use (allow 70 - 120min for the chiller to get down to temperature). Flashing indicates the compressor is ON.</p>
	<p>Sparkling Water Light Lights up to indicate the CO2 Cylinder is empty. When the light is off this indicates the CO2 Cylinder is full of gas.</p>

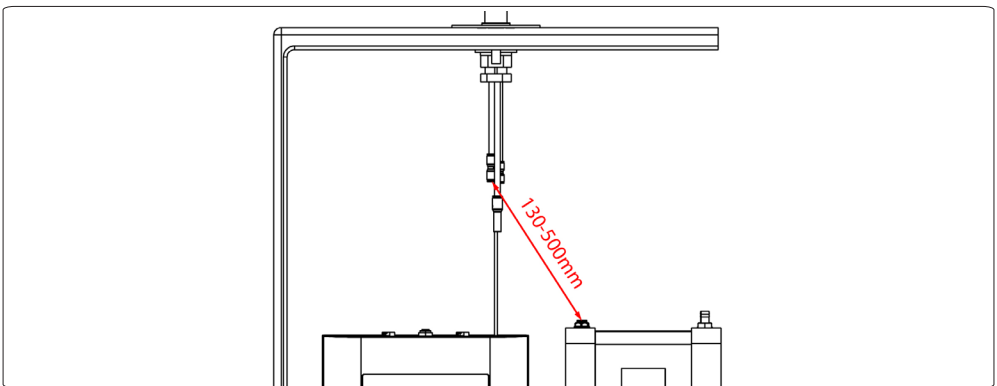
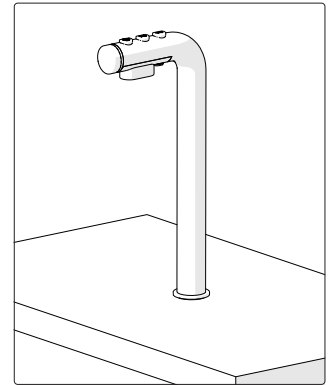
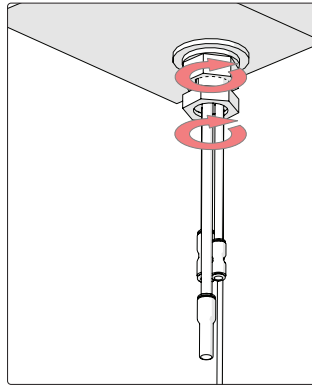
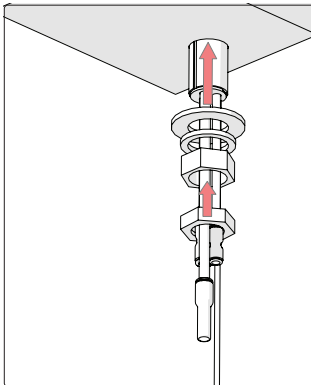
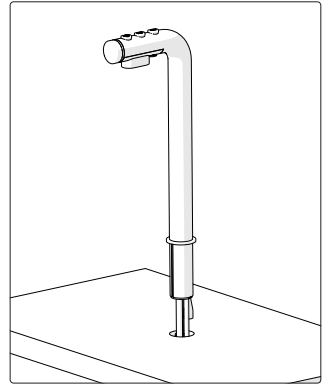
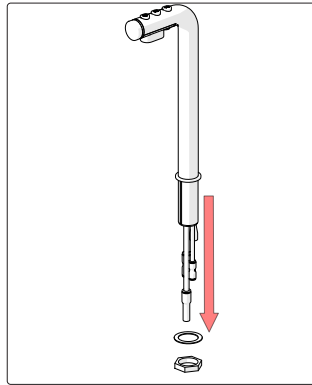
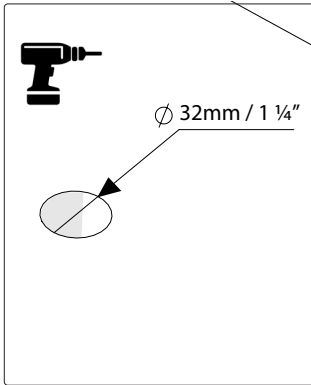
Boiler Installation



The boiler paired with the chiller is the MIX Boiler UC3 (p/n. 1000880). For more details on boiler installation please consult boiler instruction manual.

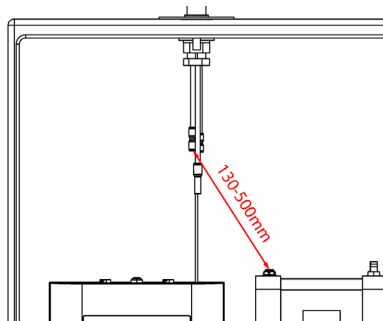
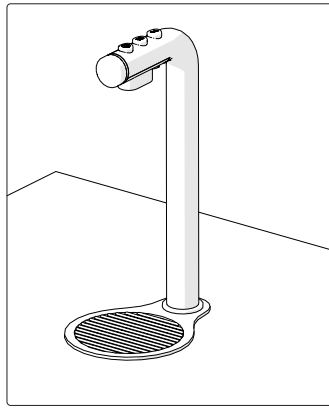
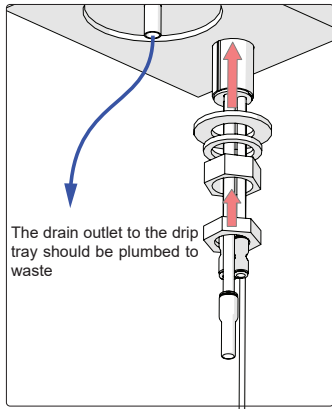
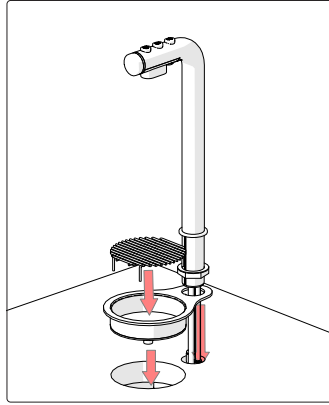
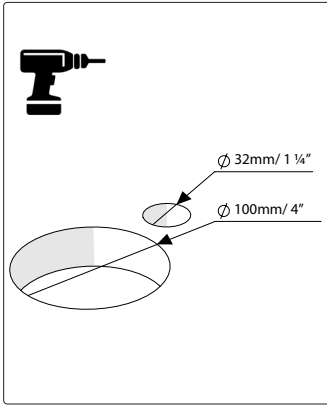
Font Installation

1. No Drip Tray

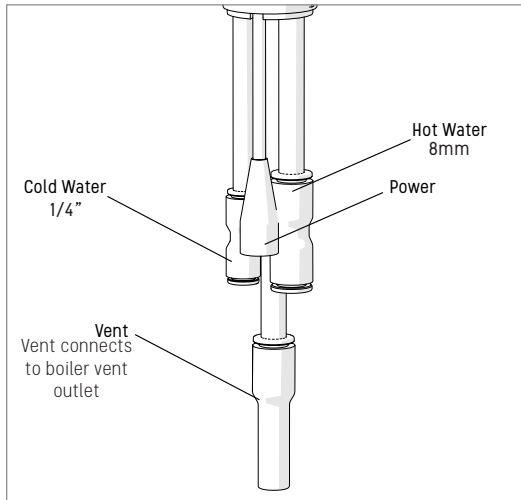
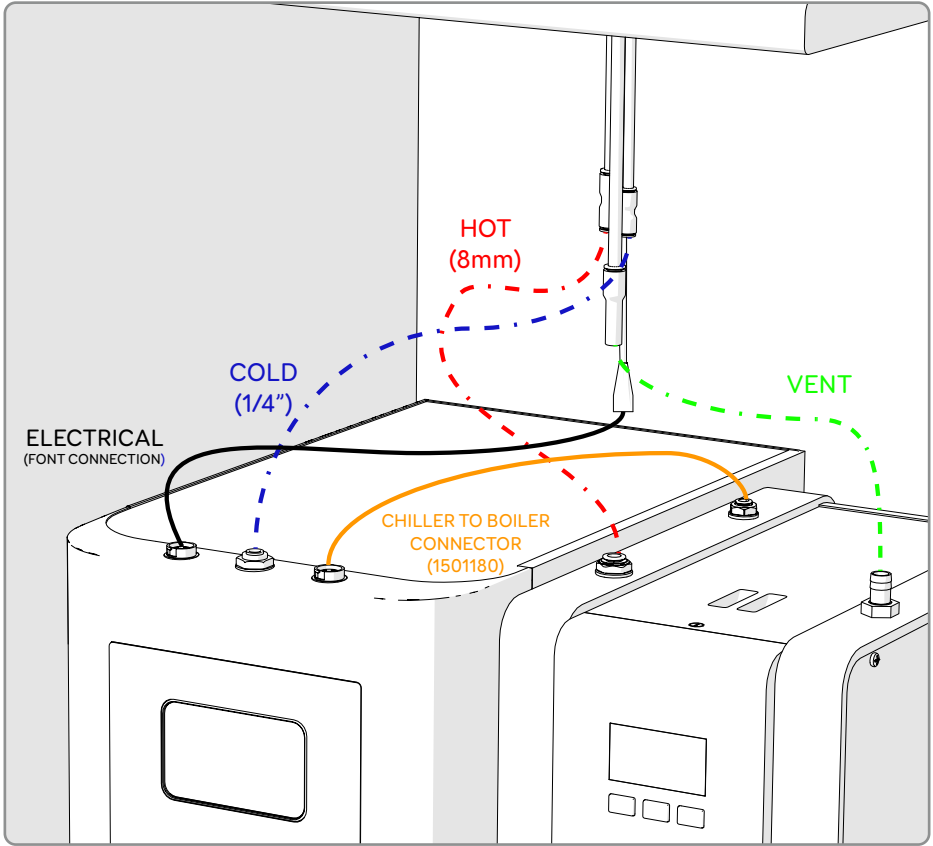


Font Installation

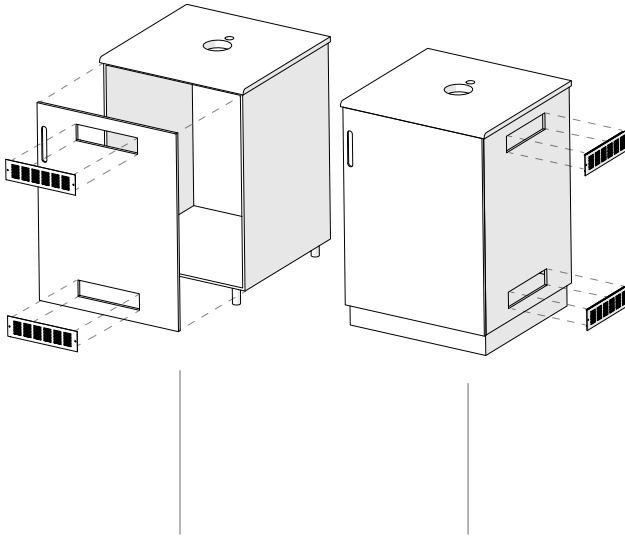
2. Drip Tray (p/n. 2300268)



Connecting Hoses



Cabinet Ventilation



Front ventilation

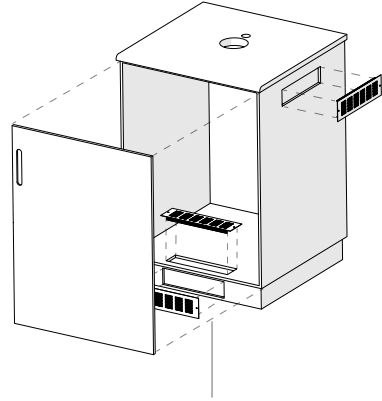
Ventilation grilles cut out of standard cabinet door.

Side ventilation

Ventilation grilles cut out of standard 600mm cabinet. Grilles may be fitted on either side as long as they ventilate into an open unobstructed area.

Please Note:

In all cases remove the back panel from the cabinet.



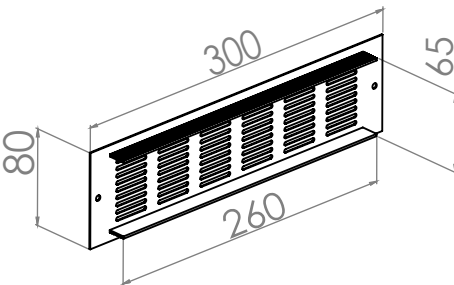
Base ventilation

Ventilation grilles cut in base panel and base plinth, a grille must also be cut out at the top of the cabinet.

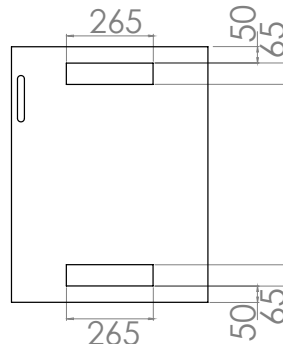
The cabinet may be ventilated in many ways provided there are cut outs placed near the base and another near the top of the cabinet to take advantage of natural circulation.

Cabinet temperature: Max 35°C, if more air is not being evacuated efficiently it may cause cooling issues or possibly damage the equipment.

Grill dimensions

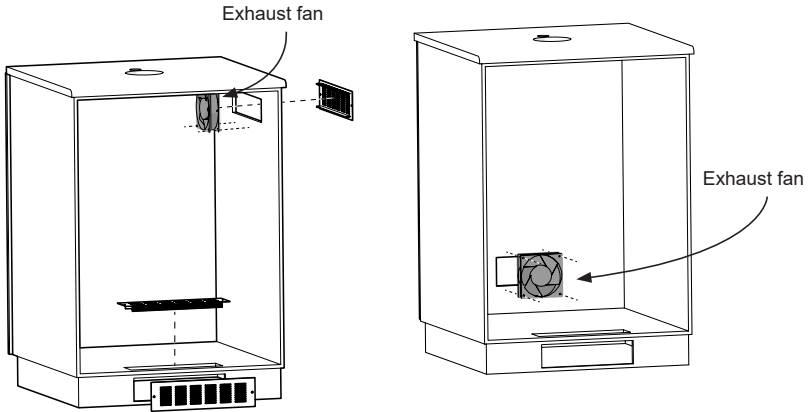
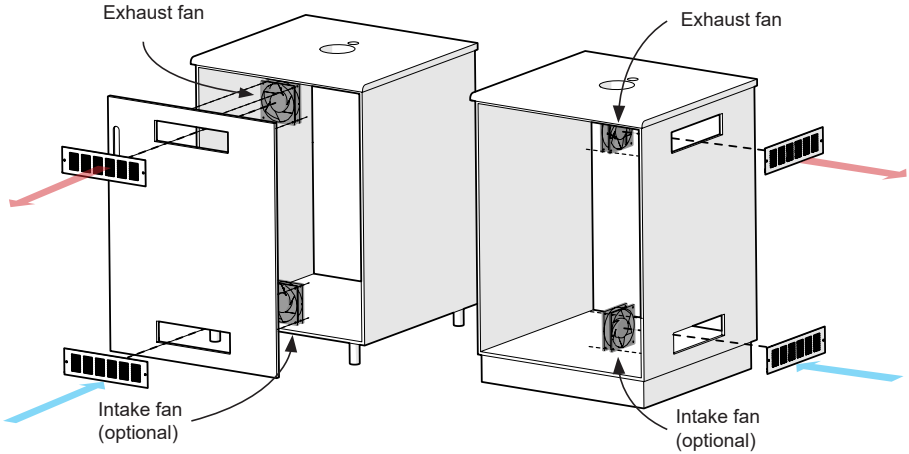


Cut out for standard 600mm door



Cabinet Ventilation

Fan Installation



6. Chiller Sanitisation and Cleaning

This procedure should only be carried out by persons trained by Marco or their approved distributors. The operation of sterilisation has to be carried out every time the chiller is installed and:

- after every 6 months of use.
- every time the water filter is changed
- after an inoperative period of one or more weeks.

If the chiller is installed in Hospitals, Schools, Care homes for the elderly, or Clinics, it is recommended to sanitize it every 3 months.

6.1 PREPARE THE CHILLER FOR SANITISATION

1. Turn on water and flush at least 4 liters (1 gallon) through entire system (plain and carbonated water circuits).
2. Disconnect water line from main water supply.
3. Dispense both plain and carbonated water, until only CO2 is dispensed.
4. Close the CO2 cylinder and dispense carbonated water to remove CO2 pressure completely.

6.2 SANITISING

1. Turn off Electrical Power Supply.
2. Turn off the Cooling Switch on the back of the unit to turn the compressor off.
3. Replace the filter cartridge with a sanitizing filter recommended by Marco and fill with clean water and with sanitizing fluid in the concentration and contact time recommended by the manufacturer.
4. Disconnect the water connections and connect them to the sanitization cartridge.
5. Turn on water mains and power supply mains.
6. DO NOT TURN ON COOLING SWITCH AT THIS TIME
7. Flush all lines (Cold and Sparkling) with sanitizer by pressing the buttons on the FRIIA font until you can smell the sanitizing product which may have a characteristic smell, or colour. Colorimetric test strips can also be used to make sure the entire line is filled with the sanitizing liquid.
8. NOTE: A container and drain basin will be required to collect water from the FRIIA font.
9. Be careful: respect the sanitiser concentration and contact time recommended by the manufacturer; using extra liquid will neither improve nor speed up the treatment process.

Warning : After long idle periods bacteria and germs can form if the mains power supply has been disconnected for more than 72 hours. In this case please follow a full sanitisation procedure.

6.3 CLEANING

The exterior of the chiller may be cleaned with a damp cloth and a light detergent. Do not use abrasive cloths or creams, as this will spoil the finish of the chiller. Do not use a water jet or spray. Beware of accidentally operating the font when cleaning the font.

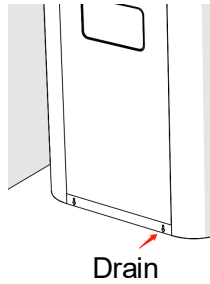
6.3 Maintenance

If the chiller is not in use for a long time, turn off the the cooling switch to save power.

If the chiller is not in use for a long time, please unplug if from the socket, turn off the water inlet and drain the ice bank through the drain at the front of the chiller.

Before moving the chiller you must to drain the water out from ICEBANK tank, via the drain on the front of the chiller, see illustration below.

Drain and refill the water in the ICEBANK tank every 6 months to keep clean.



7. Chiller Troubleshooting

Cold & Sparkling Model

				●	Illuminated
				⊙	Flash
				○	OFF
Product 1000202	Filter	Cooling	Cylinder	Cause	Solution
	-RED	-BLUE	-YELLOW		
Power ON + Cooling ON + Cylinder FULL	○	⊙	○	Normal	
Power ON + Cooling ON + Cylinder EMPTY	○	⊙	●	CO2 reminder	Replace the cylinder
Power ON + Cooling finished + Cylinder FULL	○	●	○	Normal	
Power ON + Cooling finished + Cylinder EMPTY	○	●	●	CO2 reminder	Replace the cylinder
Filter reminder + Cooling ON + Cylinder FULL	●	⊙	○	Filter needs replacing	Replace the filter, reset the filter recover button (located beside filter)
Filter reminder + Cooling ON + Cylinder EMPTY	●	⊙	●	Filter & CO2 reminder	Replace the filter ,reset the filter recover button. Replace the cylinder
Filter reminder + Cooling finished + Cylinder FULL	●	●	○	Filter needs replacing	Replace the filter, reset the filter recover button (located beside filter)
Filter reminder + Cooling finished + Cylinder EMPTY	●	●	●	Filter & CO2 reminder	Replace the filter, reset the filter recover button. Replace the cylinder
Cooling switch off. Or Refrigeration system problem	○	○	○	Cooling switch off. Or cooling NTC fault.	Turn on the cooling switch. Then check it and replace the NTC in the ice bank
No water in Icebank	⊙	○	○	Shortage of water	Check the water supply
Pump continues work exceed 5min without operation	⊙	○	○	No water in the cold pipes	Check the water supply
Water leakage	⊙	⊙	⊙	Water leakage	Power off. Check all pipes and connectors.
Water Overfilling in Icebank	●	○	○	Water leakage	Power off. Check all pipes and connectors. Drain water in the icebank tank.

Cold Only Model

Product 1000201	Filter - Red	Cooling - Blue	Cause	Solution
Power ON + Cooling ON	○	⊙	Normal	
Power ON + Cooling Finished	○	●	Normal	
Filter reminder + Cooling ON	●	⊙	Filter needs replacing	Replace the filter, reset the filter recovery button (located beside filter)
Filter reminder + Cooling finished	●	●	Filter needs replacing	Replace the filter, reset the filter recover button (located beside filter)
Refrigeration system problem	○	○	Cooling NTC fault	Check and replace the cooling NTC in the ice bank
No water in Icebank	⊙	○	Turn off Refrigeration system and pump until water is full	Waiting for the machine purifying water
No water in Icebank exceed 10min	⊙	○	Shortage of water	Check the water supply. Press any button resume
Water leakage	⊙	⊙	Water leakage	Power off Check all pipes and connectors
Overfilling in Icebank	●	○	Overfilling in Icebank	Power off Drain water in icebank

Failure	Cause	Solution
	Low water pressure	Check the tap water
	Filter not replaced in time, beyond the use time	Replace the filter
Unsuitable water temperature	Over consumption of water in a short time	Wait a moment, and water is available again
	The cooling switch is not turned on	Turn on the cooling switch at the rear of the machine
Water leakage	Pipe not connected properly	Inspect the connector to connect the pipe properly
	Water pipe and PE pipe bursting	Replace the water pipe and PE pipe
Electric leakage	Machine in poor contact with ground	Use a socket with earth wire, making the machine grounded properly
Noisy operation	Not installed steadily or levelled	Place the machine on a steady & solid surface; level the machine
	A few pipes are touching some parts inside the appliance, thus causing it to vibrate	Adjust the position of pipes, making sure they don't touch any other parts
Machine fails to run	Power supply not put through	Switch on power supply
The compressor will not start	Power failure	Check that there is voltage in the plug
	The compressor is faulty	Replace it
The water is cold but the compressor is working continuously or non-stop	Little ventilation	Replace the appliance away from the wall
	The condenser is dirty or covered	Clean the condenser or free it of its obstacles
	The room temperature is higher than 40 °	It's normal that the appliance works at a continuously high room temperature
The compressor works continuously, but the water is not cold	Gas leak from the cooling system	Contact a refrigeration engineer
	The compressor is faulty	Replace the compressor.
Cold water comes out slowly or not at all	The pump is blocked	Check it and replace the pump
	Clogged water filter	Replace the filter
The soda water is not very fizzy or not at all	The pressure of CO2 reducer is set less than 4 bars	Check and replace the gas reducer
Only gas comes out of the carbonated water outlet	The pump is blocked	Check and replace the pump connected to the water in pipe of the carbonation tank
	There is no water in the line	



Marco Beverage Systems Limited,
74 Heather Road,
Sandyford Business Park,
Dublin 18,
Ireland
Tel: 00353 (0) 1 295 2674
Email: sales@marcobeveragesystems.com

