



---

SELF-CONTAINED CUBER

IM-21CPE  
IM-30CPE  
IM-30CPE-25  
IM-30CWPE  
IM-30CWPE-25

## PARTS LIST

[HE]

M109  
M110  
M110-D001,D002,D003  
M110-D200,D201,D202,D203  
M110-D300,D301,D302,D303

P-0 DEC. 2024

## List of Specifications

IM-21CPE	M109	Air-cooled Standard
IM-30CPE	M110	Air-cooled Standard
IM-30CPE-25	M110-D001	25mm ICE of IM-30CPE
IM-30CWPE	M110-D002	Water-cooled Standard
IM-30CWPE-25	M110-D003	25mm ICE of IM-30CWPE
IM-30CPE-U	M110-D200	Air-cooled Standard
IM-30CPE-U-25	M110-D201	25mm ICE of IM-30CPE
IM-30CWPE-U	M110-D202	Water-cooled Standard
IM-30CWPE-U-25	M110-D203	25mm ICE of IM-30CWPE
IM-30CPE-E	M110-D300	Air-cooled Standard
IM-30CPE-E-25	M110-D301	25mm ICE of IM-30CPE
IM-30CWPE-E	M110-D302	Water-cooled Standard
IM-30CWPE-E-25	M110-D303	25mm ICE of IM-30CWPE

## List of Functions

Basic		Cube
Basic + DP	F	FlexCube
Basic + UV	U	UltraCube
Basic + IoT + DP + UV	E	EliteCube

## Auxiliary Codes

### Auxiliary Code Breakdown

The auxiliary code is the first two characters in the serial number. The first character indicates the year. Years progress or regress in alphabetical order. The series runs from "A" through "V" and the letters "I" and "O" are skipped. The second character indicates significant part changes within a year. Base is "0" and this number advances for each change. In cases where there is a letter in parentheses, this designates the month. This is the last character in the serial number. The series runs from "(A)" through "(M)" and the letter "(I)" is skipped. This designation is only included when identifying a parts change within an auxiliary code.

### Note About Ordering Parts

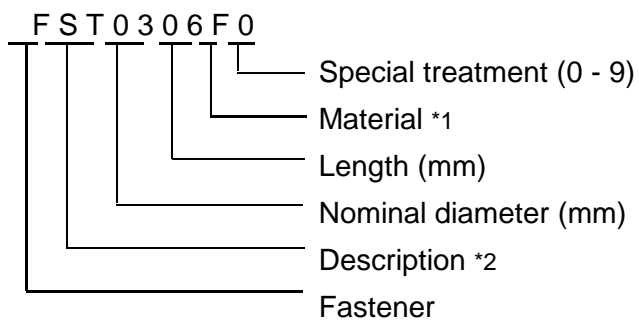
Most assemblies cannot be ordered as complete units; parts in the assemblies generally must be ordered separately.

## MARKS LOCATED UNDER THE AUXILIARY CODE

- = Part deleted.

## FASTENER PART NUMBER

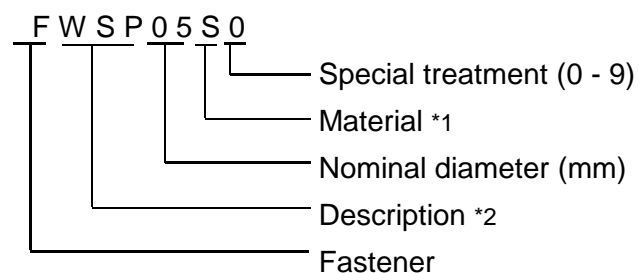
### SCREWS



\*1

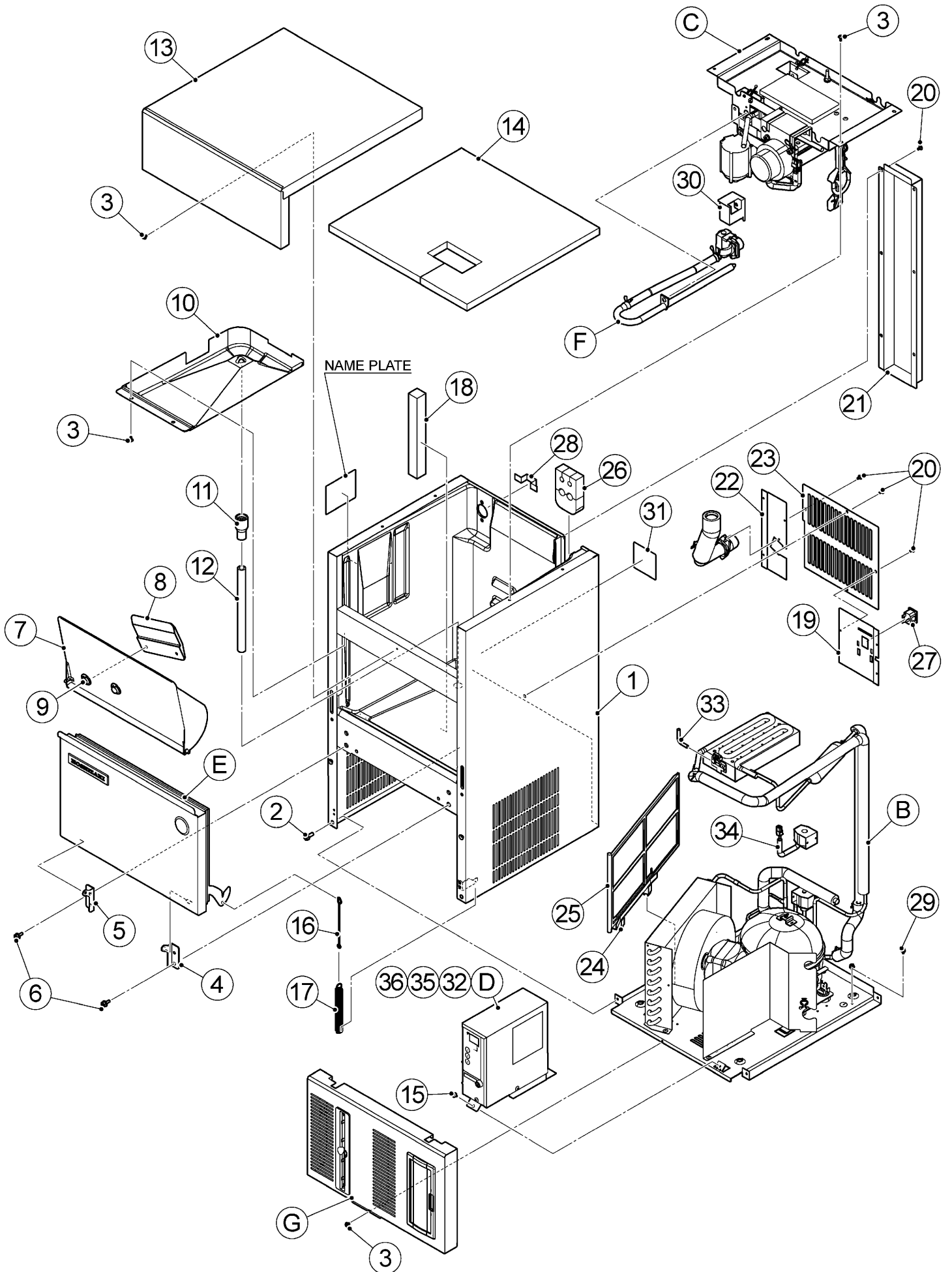
F: Steel  
S: Austenitic stainless steel  
M: Martensitic stainless steel  
B: Copper alloy  
P: Polycarbonate  
N: Polyamide  
V: PVC  
A: ABS  
X: Polyacetal  
L: Aluminum

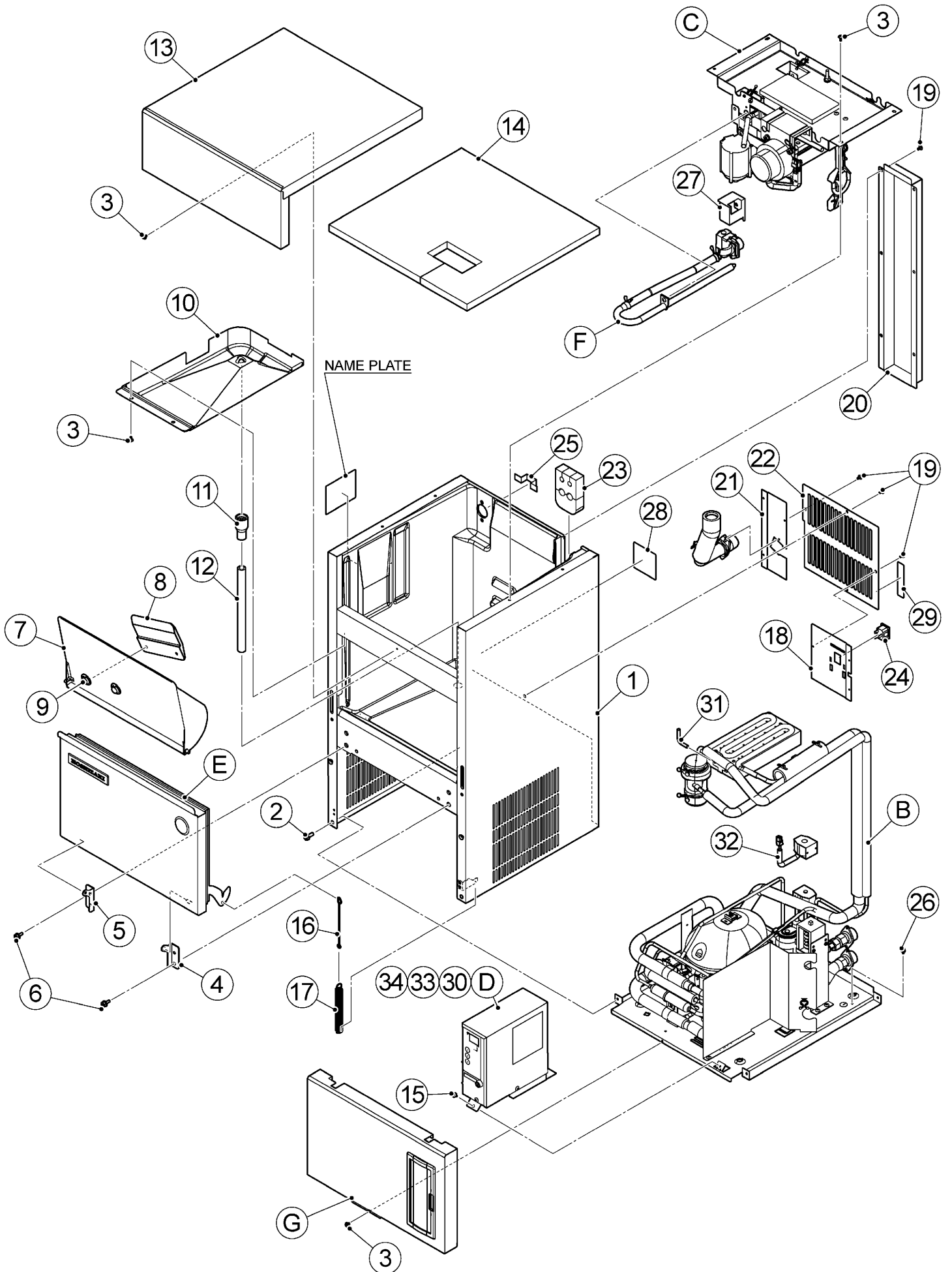
### NUTS & WASHERS



\*2

First letter  
S: Machine screw  
T: Tapping screw  
M: Wood screw  
B: Bolt  
W: Washer  
N: Nut





MODEL: **IM-21CPE**  
MODEL: **IM-30CPE(-25)**

TITLE: **A. ICE FLAKER ASSY**

INDEX NO.	DESCRIPTION	MATERIAL OR MODEL NUMBER	PART NUMBER	REQ'D NUMBER				
				P-0				
B	REFRIGERATION ASSY		1E0111A01	1				
C	ICE MAKING MECHANISM ASSY		1E0112A01	1				
D	CONTROL BOX ASSY		3E0346A01	1				
E	DOOR ASSY		3E0168A01	1				
F	WATER CIRCUIT ASSY		3E0252A01	1				
G	FRONT PANEL(LOWER)		3E0253G01	1				
P	ACCESSORIES		A04615-01	1				
1	UNIT FRAME		1E0110G01	1				
2	TAPPING SCREW - HEX		442040-01	4				
3	T2 TRUSS HEAD SCREW		FT20408S0	4				
4	HINGE (RIGHT)		3E0327M01	1				
5	HINGE (LEFT)		3E0327M02	1				
6	HEX HEAD BOLT (SPRING WASHER AND FLAT WASHER)		FBK0620S0	4				
7	SLOPE (A)		3E0347G01	1				
		Scoop Holder Parts	3H3628-01	1				
8	HOLDER - SCOOP	Scoop Holder Parts	393026G01	1				
9	THUMB SCREW	Scoop Holder Parts	456279G01	2				
10	DRAIN PAN		2H1442-01	1				
11	DRAIN HOSE		4Z0986R01	1				
12	DRAIN PIPE		4Y7493P02	1				
13	FRONT PANEL (UPPER)		3E0170G01	1				
14	INSULATION - TOP		3Y5954P02	1				
15	S-TITE TRUSS HEAD SCREW		FTS0408M0	4				
16	HOOK		404060-08	1				
17	SPRING		4H0491-01	1				
18	SEAL(B)		4Y7171P01	1				
19	BRACKET - MAINS		3E0174M01	1				
20	T2 TRUSS HEAD SCREW		FT20408F0	14				
21	COVER - PIPE		3E0172M01	1				
22	DRAIN - BRACKET		3E0254M01	1				
23	REAR PANEL		3E0255M01	1				
24	FILTER-RAIL		3Y3497P01	1				



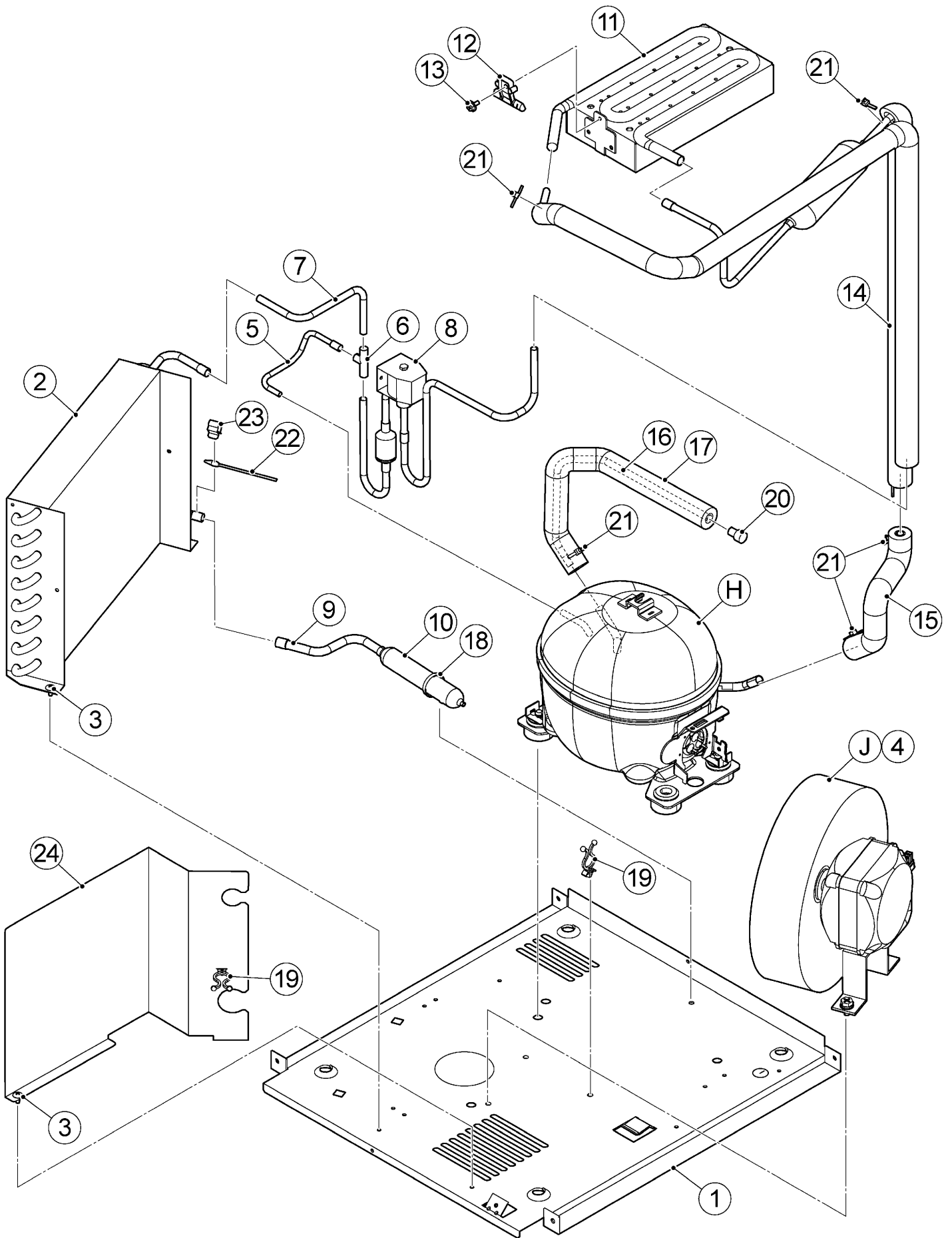
MODEL: IM-30CWPE(-25)

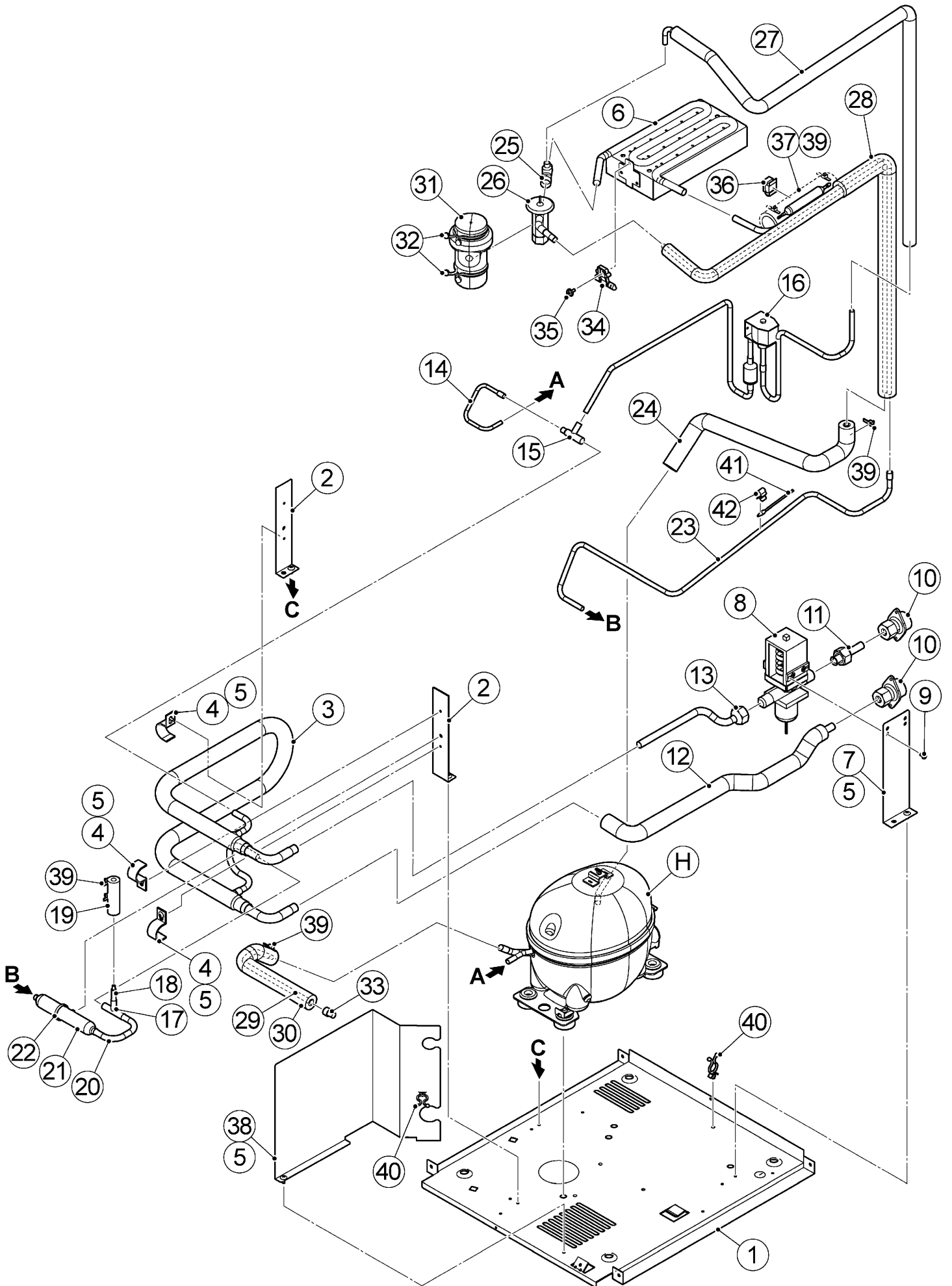
TITLE: A. ICE FLAKER ASSY

INDEX NO.	DESCRIPTION	MATERIAL OR MODEL NUMBER	PART NUMBER	REQ'D NUMBER			
				P-0			
B	REFRIGERATION ASSY		1E0147A01	1			
C	ICE MAKING MECHANISM ASSY		1E0112A01	1			
D	CONTROL BOX ASSY		3E0346A01	1			
E	DOOR ASSY		3E0168A01	1			
F	WATER CIRCUIT ASSY		3E0252A01	1			
G	FRONT PANEL(LOWER)		3E0253G02	1			
P	ACCESSORIES		A04309-01	1			
1	UNIT FRAME		1E0110G01	1			
2	TAPPING SCREW - HEX		442040-01	4			
3	T2 TRUSS HEAD SCREW		FT20408S0	8			
4	HINGE (RIGHT)		3E0327M01	1			
5	HINGE (LEFT)		3E0327M02	1			
6	HEX HEAD BOLT (SPRING WASHER AND FLAT WASHER)		FBK0620S0	4			
7	SLOPE (A)		3E0347G01	1			
		Scoop Holder Parts	3H3628-01	1			
8	HOLDER - SCOOP	Scoop Holder Parts	393026G01	1			
9	THUMB SCREW	Scoop Holder Parts	456279G01	2			
10	DRAIN PAN		2H1442-01	1			
11	DRAIN HOSE		4Z0986R01	1			
12	DRAIN PIPE		4Y7493P02	1			
13	FRONT PANEL (UPPER)		3E0170G01	1			
14	INSULATION - TOP		3Y5954P02	1			
15	S-TITE TRUSS HEAD SCREW		FTS0408M0	4			
16	HOOK		404060-08	1			
17	SPRING		4H0491-01	1			
18	BRACKET - MAINS		3E0174M01	1			
19	T2 TRUSS HEAD SCREW		FT20408F0	14			
20	COVER - PIPE		3E0172M01	1			
21	DRAIN - BRACKET		3E0254M01	1			
22	REAR PANEL		3E0255M01	1			
23	INSULATION-BIN		4Y7416P01	1			
24	CONNECTOR		P00245-02	1			









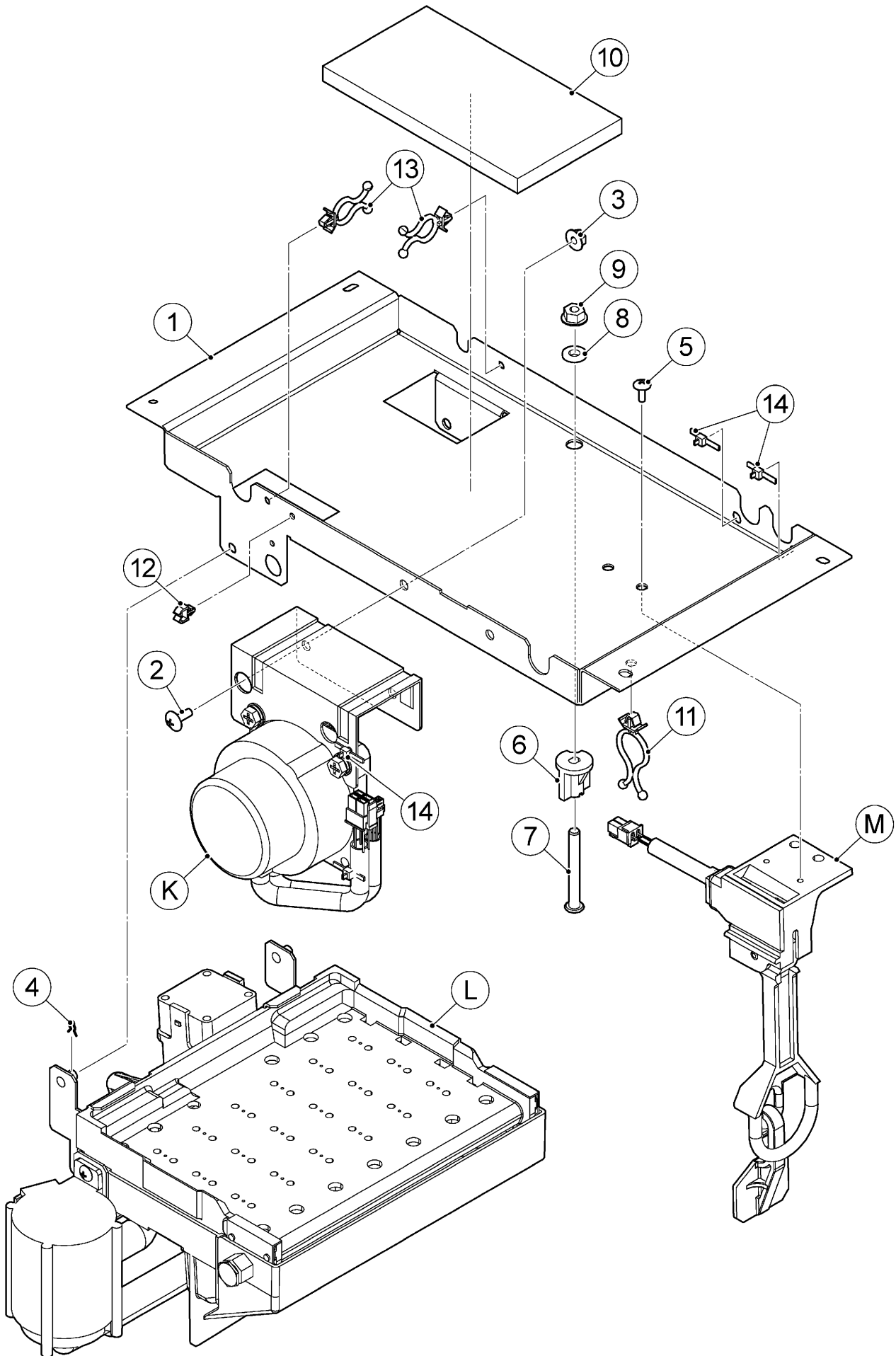


MODEL: IM-30CWPE(-25)

TITLE: B. REFRIGERATION ASSY

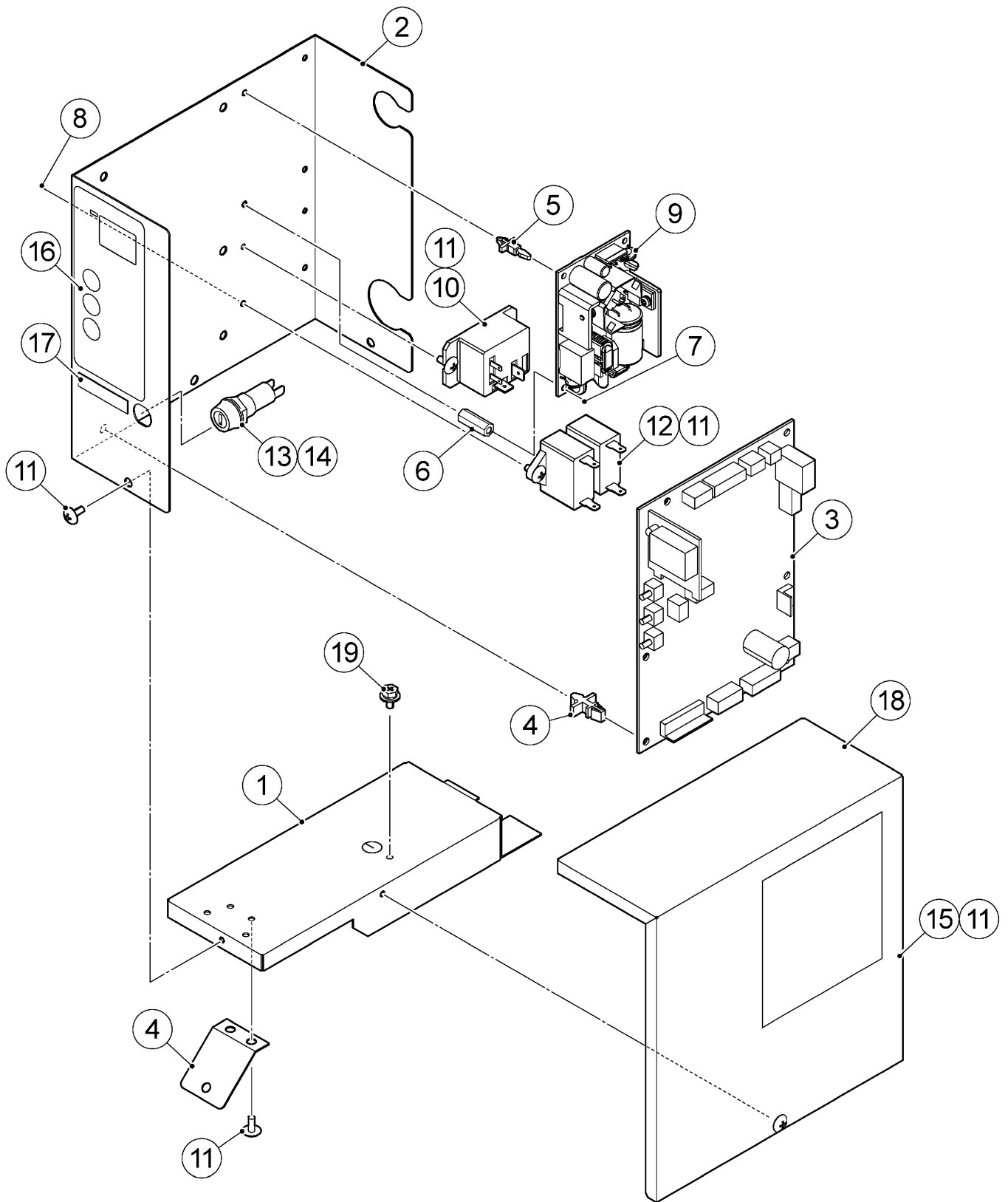
INDEX NO.	DESCRIPTION	MATERIAL OR MODEL NUMBER	PART NUMBER	REQ'D NUMBER			
				P-0			
H	COMPRESSOR ASSY		381641A01	1			
1	BASE		1E0114M01	1			
2	BRACKET - CONDENSER		4H5731-01	2			
3	CONDENSER-WATER COOLED		2X0722G01	1			
4	CLAMP(B)-CONDENSER		4H0622-01	3			
5	T2 TRUSS HEAD SCREW		FT20408F0	11			
6	EVAPORATOR	28mm	2X6724G02	1			
		25mm	2X6723G01	1			
7	BRACKET - WATER REGULATOR		4E0134M01	1			
8	WATER REGULATOR		P05382-01	1			
9	PAN HEAD SCREW		FSP0406S0	2			
10	FITTING(P)		3Y0747A01	2			
11	PIPE(C) - WATER		4Y7391A01	1			
12	PIPE(A)-WATER SUPPLY		4E0190G01	1			
13	PIPE(B)-WATER SUPPLY		4E0191G01	1			
14	PIPE (A) - HIGH SIDE		4E0192M01	1			
15	TEE		420041-03	1			
16	HOT GAS VALVE (G)		3E0311A01	1			
17	TEE		420041-02	1			
18	SLEEVE		441322-01	1			
19	Insulation Tube		H71020A55	1			
20	COPPER TUBE		4Y7432M01	1			
21	DRIER		P04629-01	1			
22	CABLE TIE		P05042-01	1			
23	PIPE (C) - HIGH SIDE		4E0193M01	1			
24	COPPER TUBE(A) - LOW SIDE		3E0312G01	1			
25	TEE		420335-01	1			
26	EXPANSION VALVE		P05535-01	1			
27	PIPE (A)-HOT GAS		3E0313G01	1			
28	HEAT EXCHANGER		2E0238G01	1			
29	PROCESS TUBE A		4E0194M01	1			
30	Insulation Tube		H71022205	1			



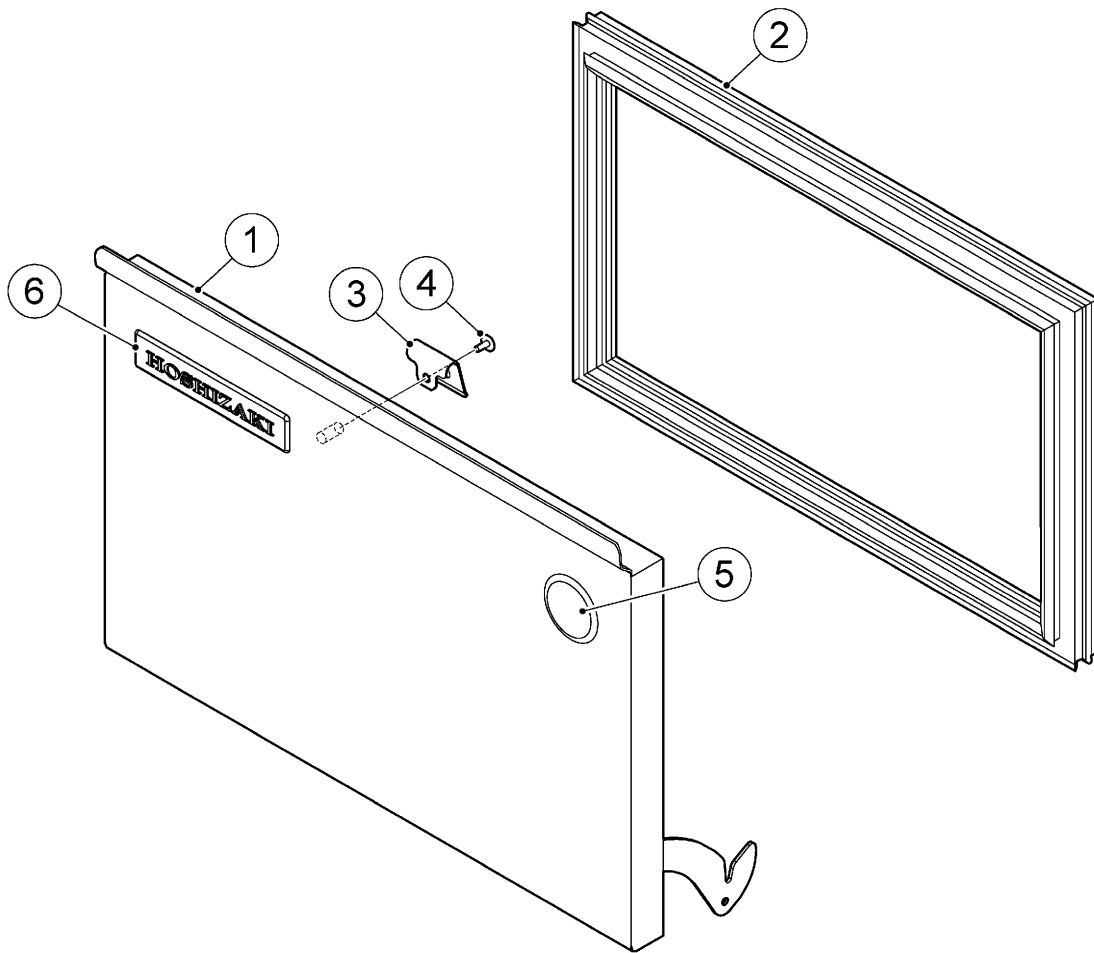




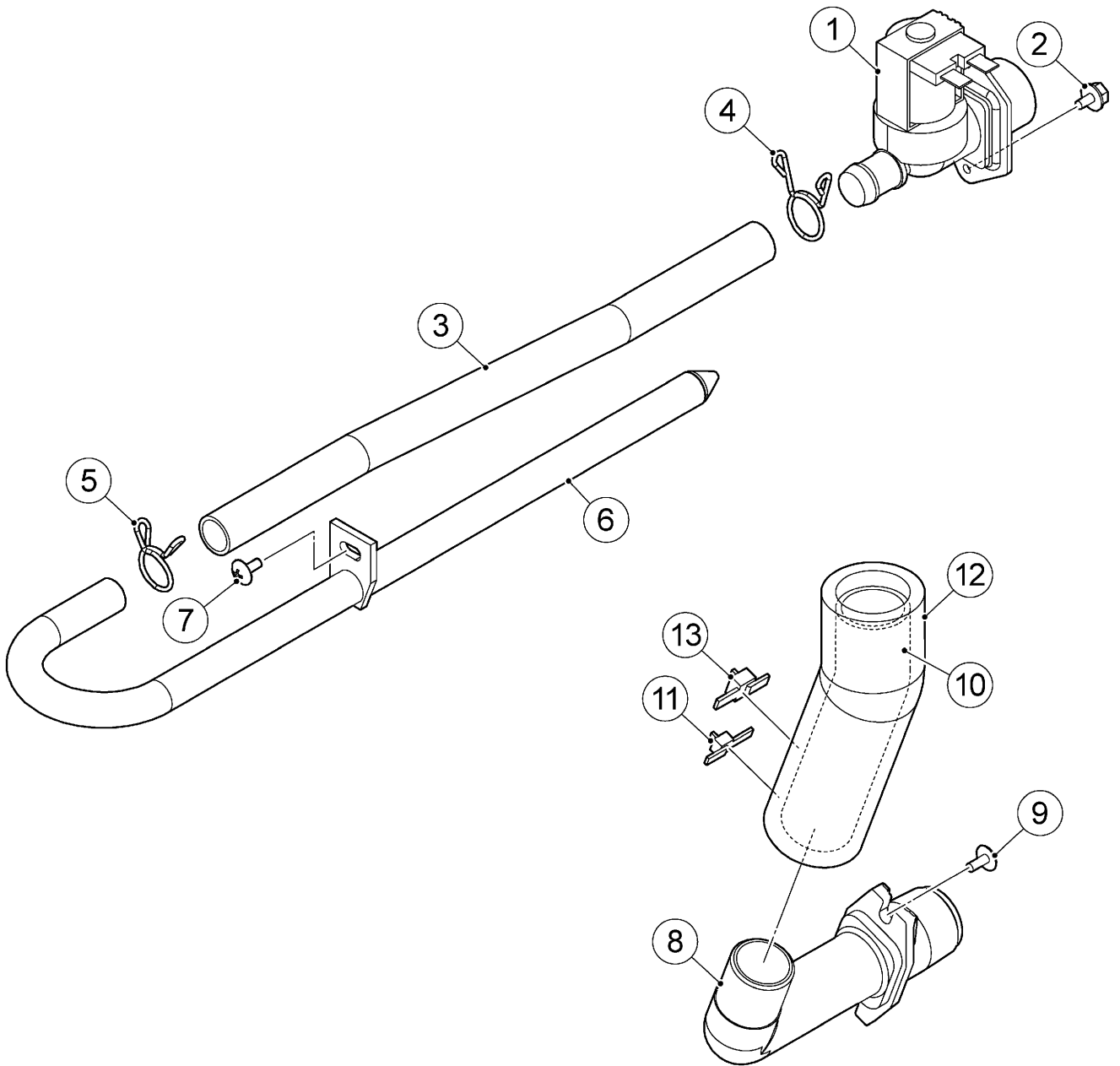




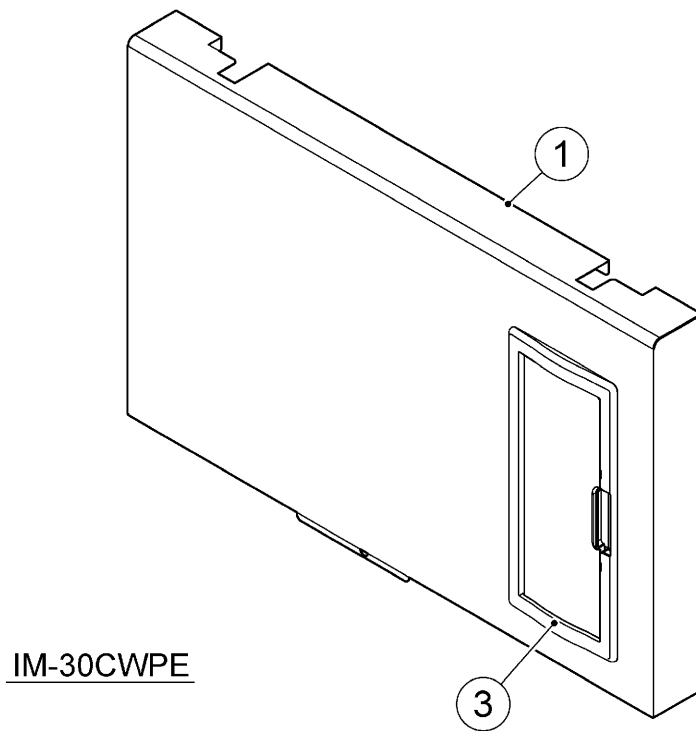
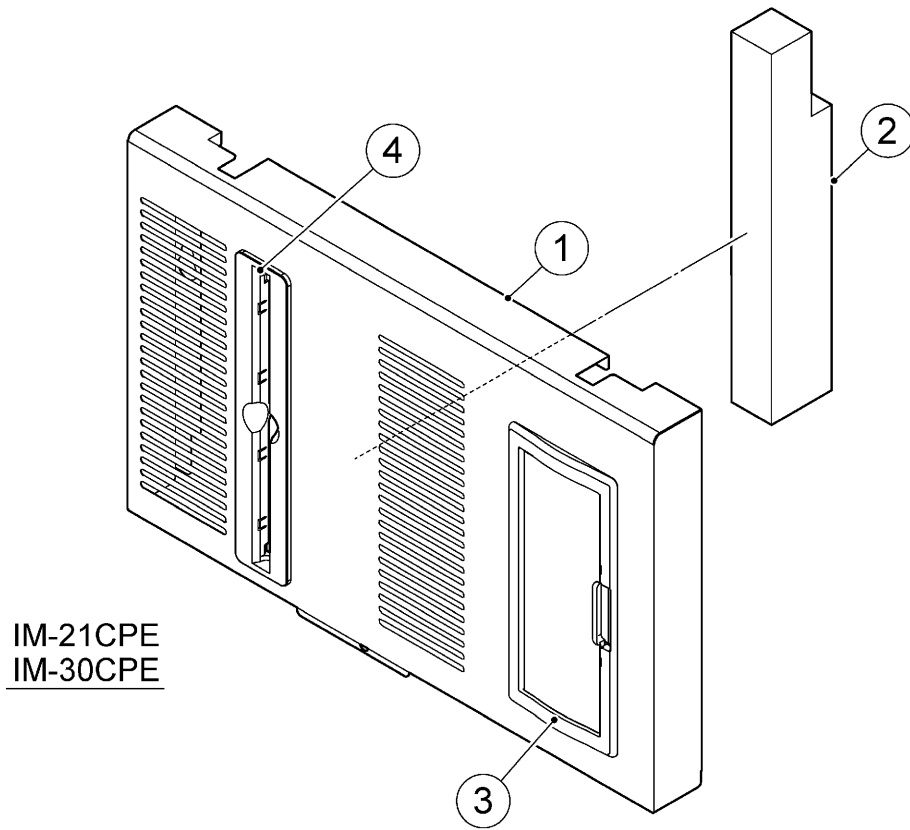






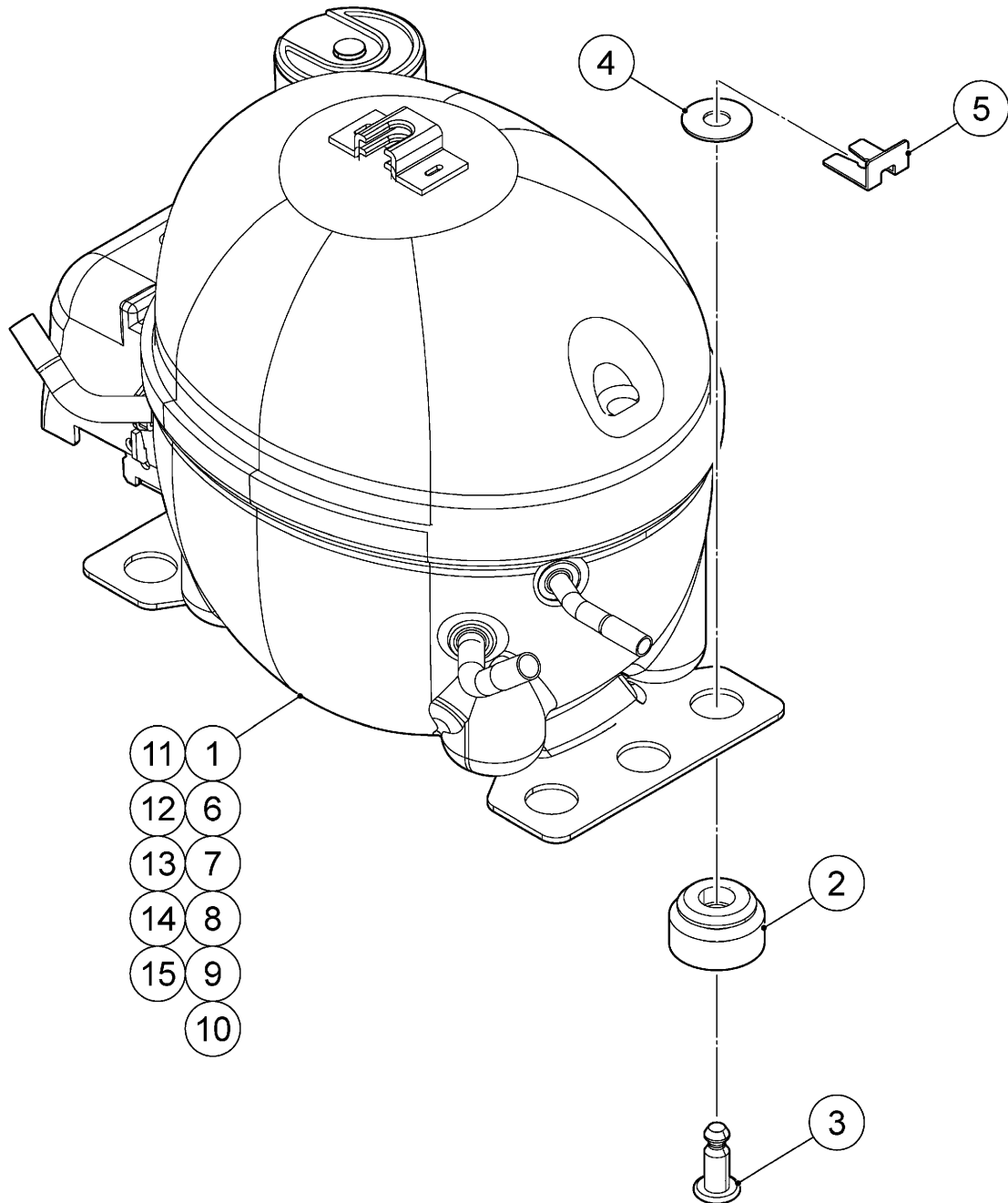




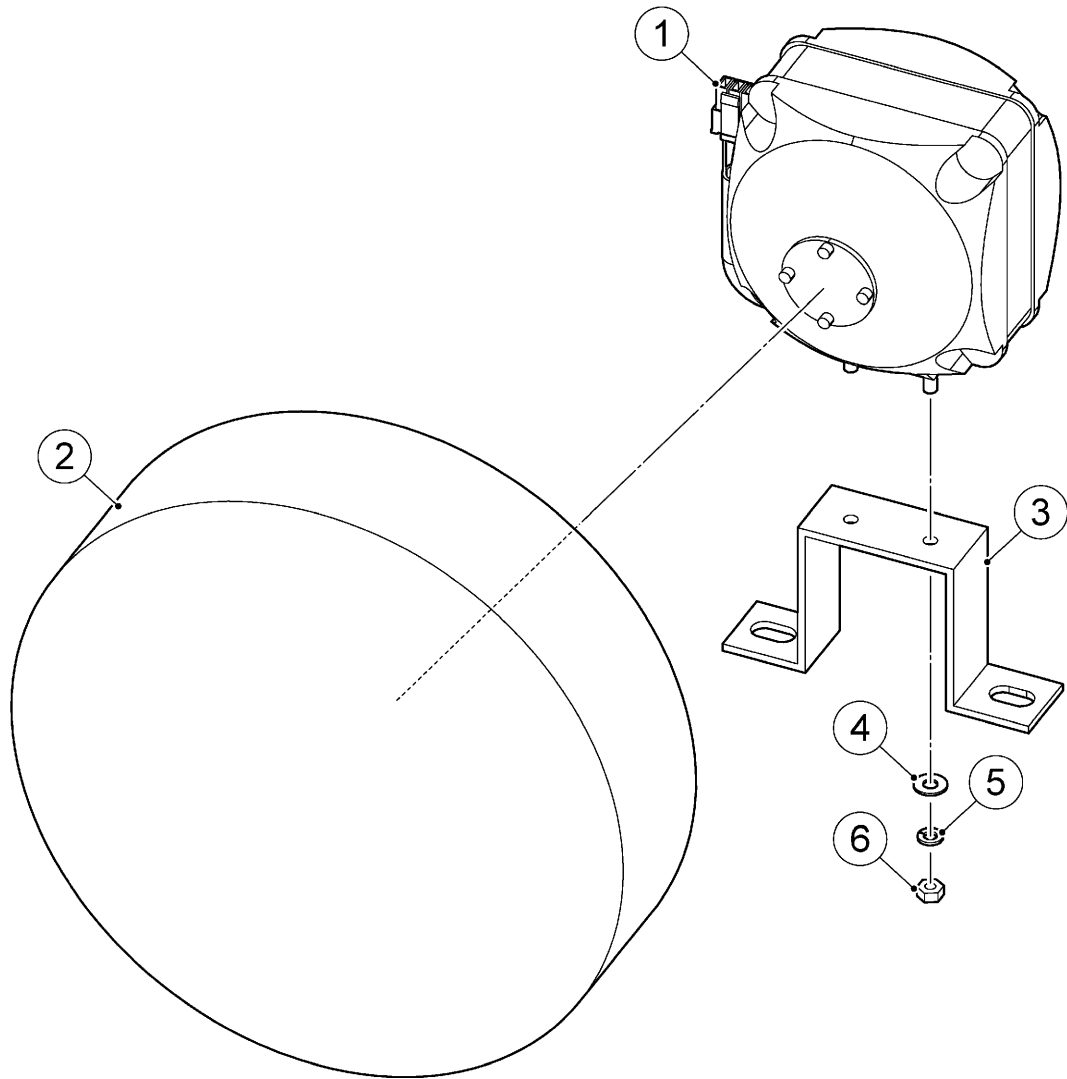






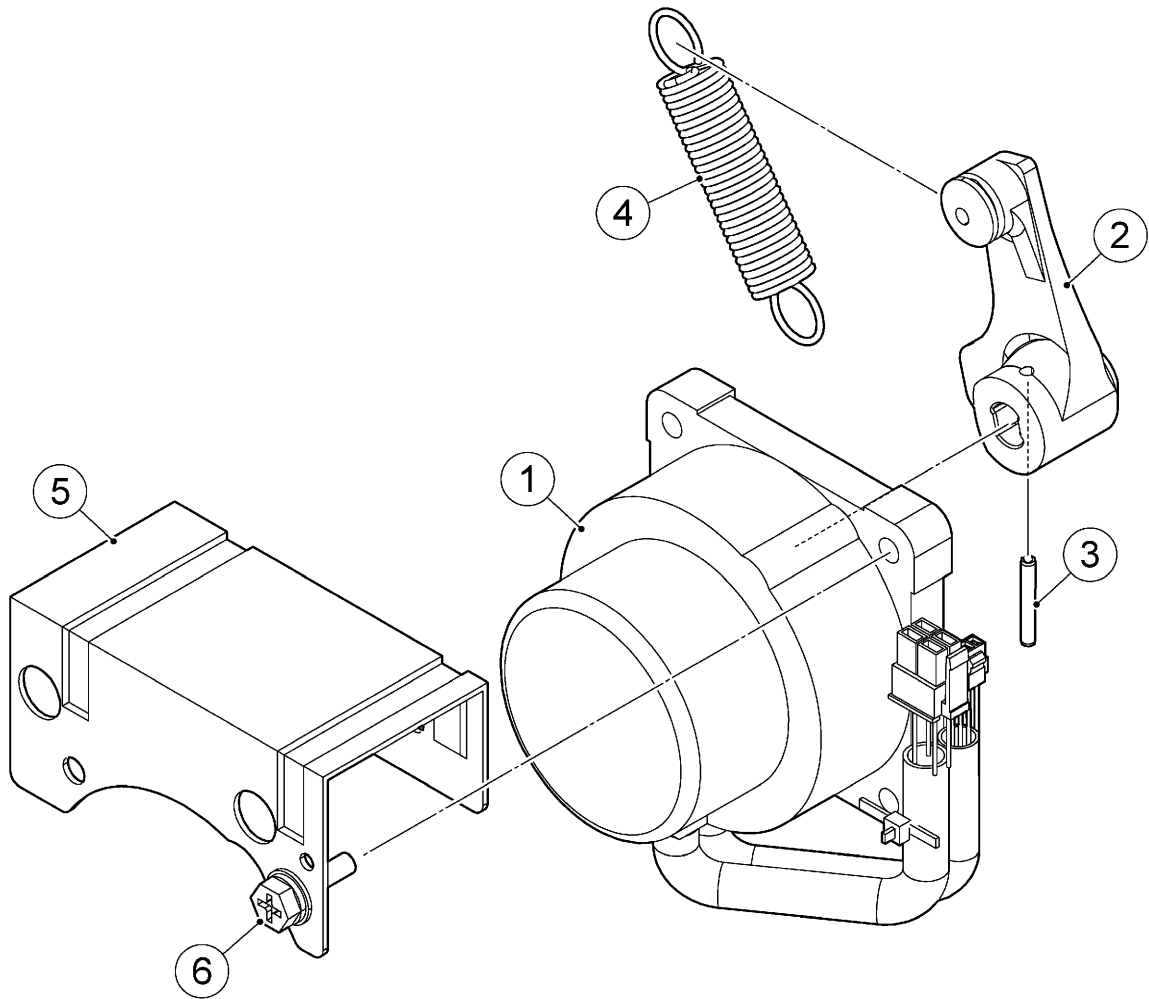






HE

MODEL: <b>IM-21CPE</b>		TITLE: <b>J. FAN MOTOR ASSY</b>					
MODEL: <b>IM-30C(W)PE(-25)</b>							
INDEX NO.	DESCRIPTION	MATERIAL OR MODEL NUMBER	PART NUMBER	REQ'D NUMBER			
				P-0			
1	FM ASSY (A)	REGAL	4E0246G01	1			
2	FAN		P06537-01	1			
3	BRACKET - FM		P05871-01	1			
4	FLAT WASHER		FWPL04S0	2			
5	SPRING WASHER		FWSP04S0	2			
6	NUT		FNH104S0	2			

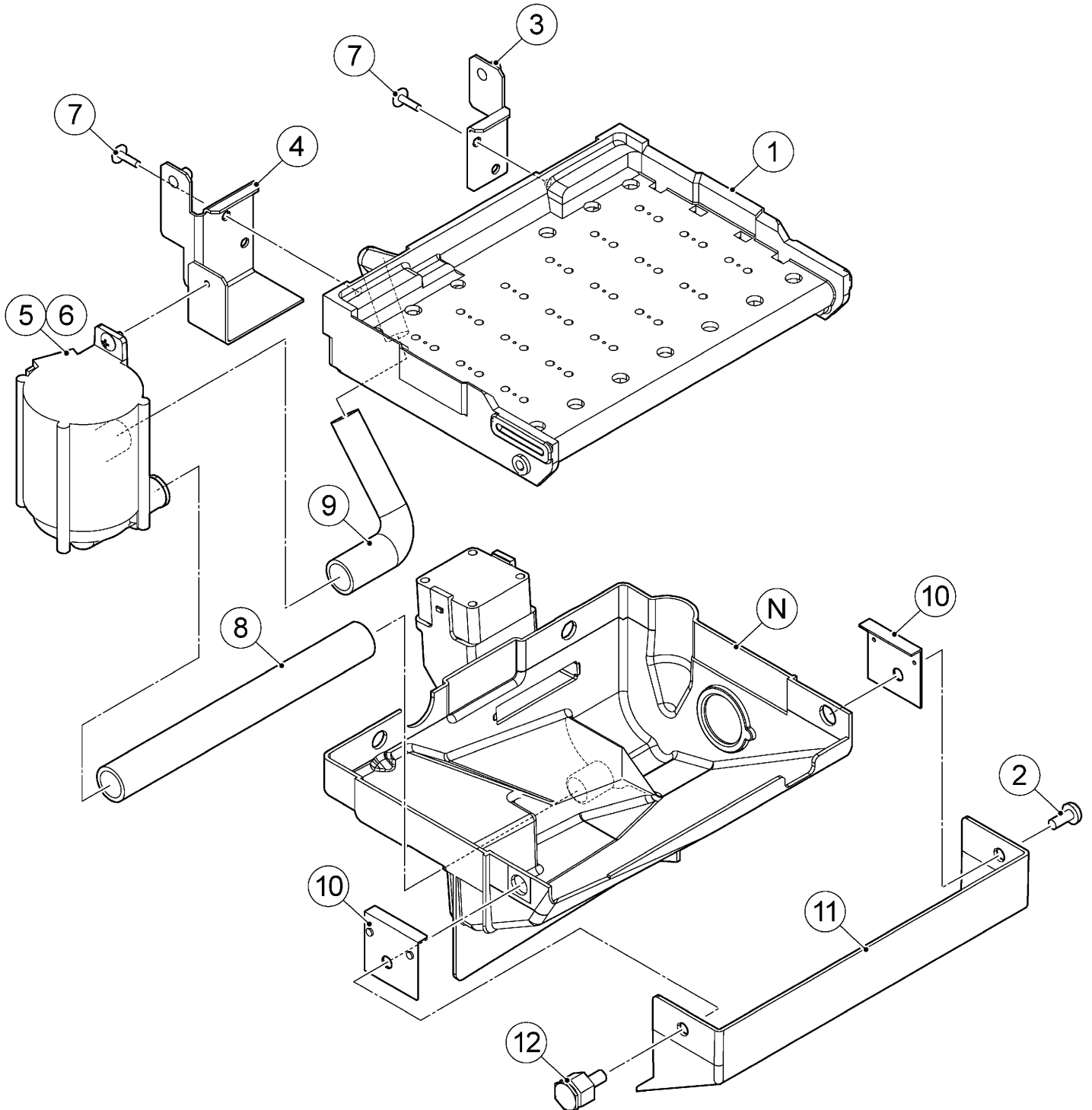




IM-21CPE  
IM-30CPE  
IM-30CWPE

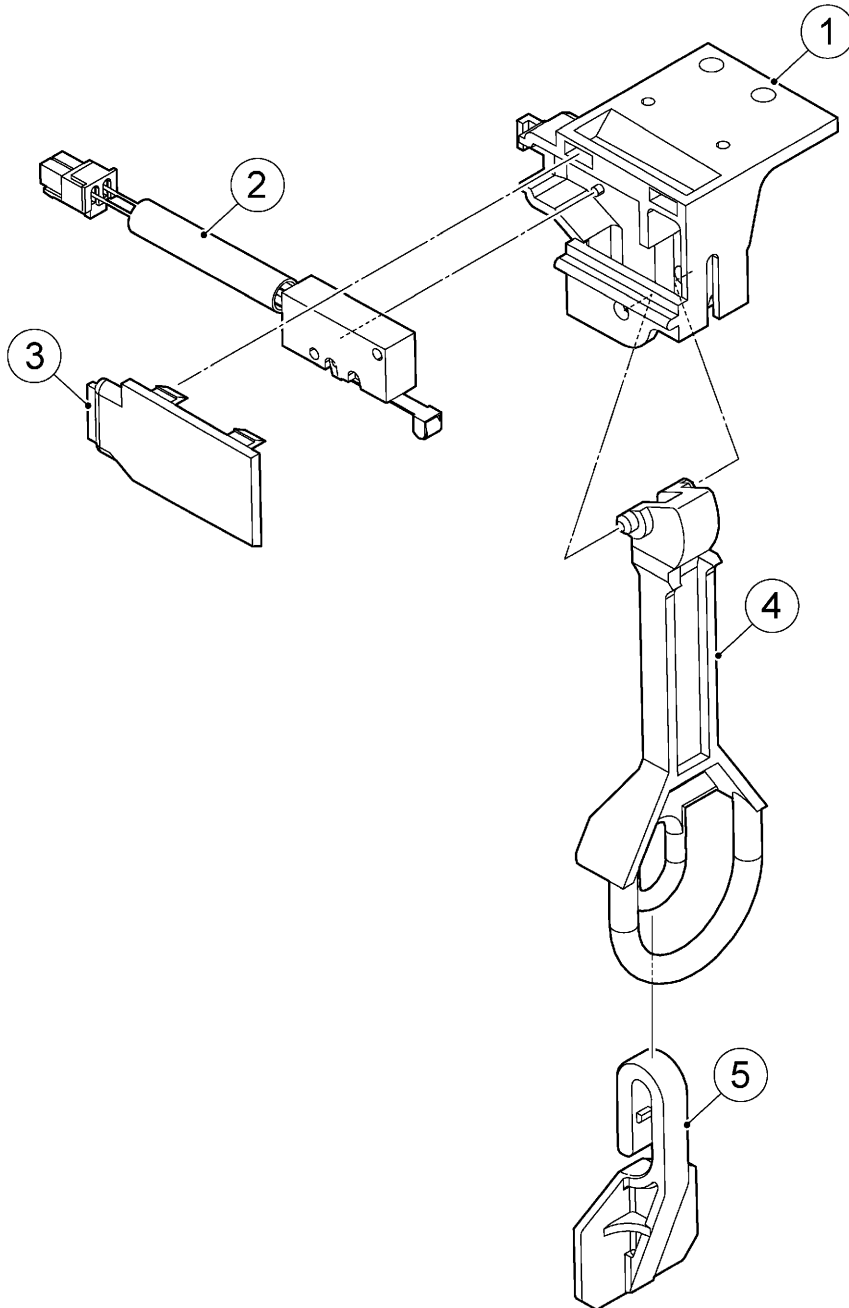
L. WATER PAN ASSY

(P-0) and later









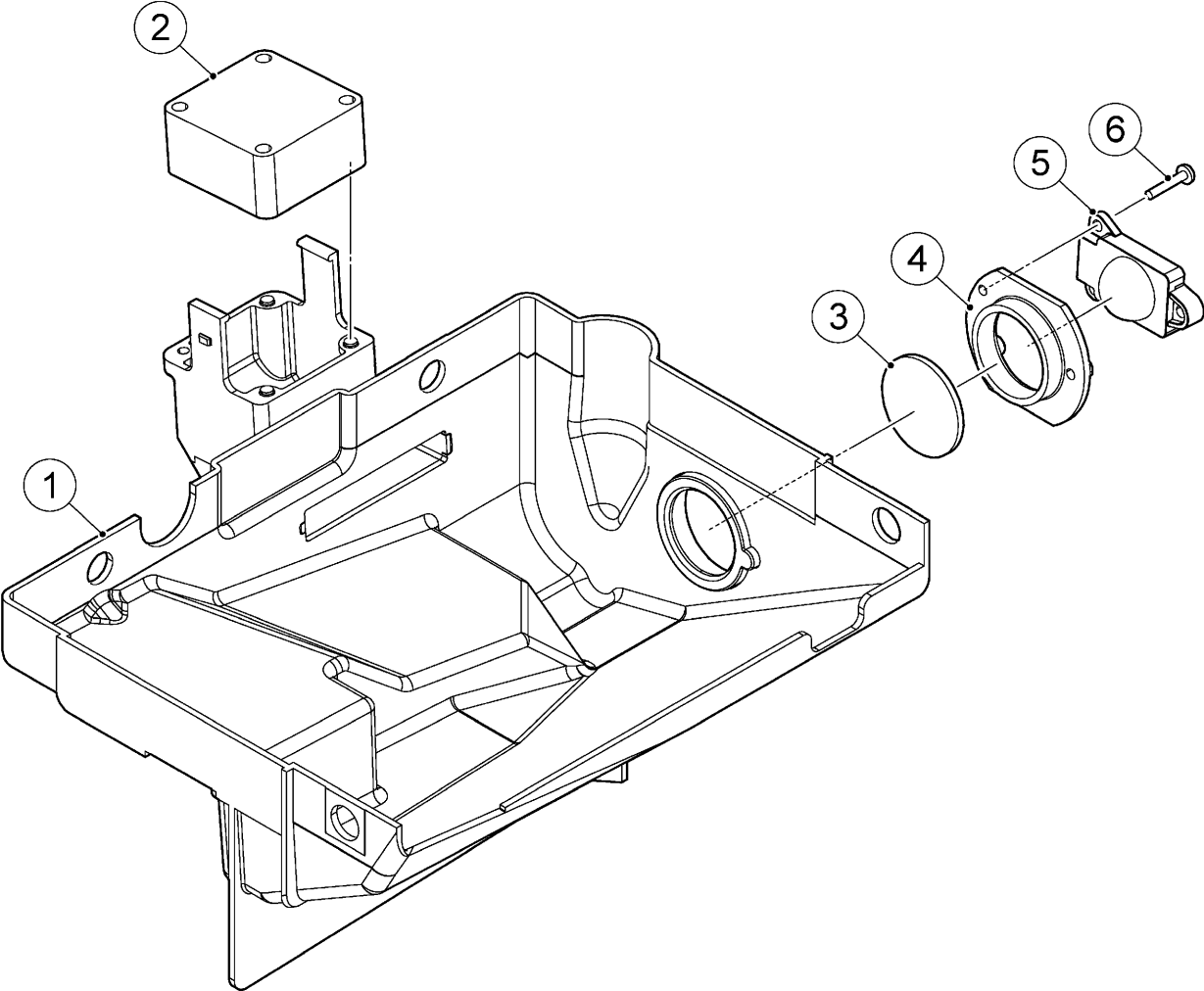
HE

MODEL: <b>IM-21CPE</b>		TITLE: <b>M. BIN CONTROL SWITCH ASSY</b>					
MODEL: <b>IM-30C(W)PE(-25)</b>							
INDEX NO.	DESCRIPTION	MATERIAL OR MODEL NUMBER	PART NUMBER	REQ'D NUMBER			
				P-0			
1	SWITCH BOX		2H2043-01	1			
2	BS ASSY (A)		4E0250G02	1			
3	SWITCH BOX COVER		4H8785-01	1			
4	SWITCH ACTUATOR		3H1369-01	1			
5	DETECTOR		3X1279-01	1			

IM-21CPE  
IM-30CPE  
IM-30CWPE

N. WATER PAN AD3

(D-1) and later



HE

MODEL: <b>IM-21CPE</b>		TITLE: <b>N. WATER PAN AD3</b>					
MODEL: <b>IM-30C(W)PE(-25)</b>							
INDEX NO.	DESCRIPTION	MATERIAL OR MODEL NUMBER	PART NUMBER	REQ'D NUMBER			
				P-0			
1	WATER PAN AD3		4E0216G01	1			
2	FAN MOTOR		P06703-01	1			
3	WINDOW - GASKET		P06651-01	1			
4	HOLDER - LED		3E0331P01	1			
5	UVC-LED		P06697-01	1			
6	PAN HEAD MACHINE SCREW		FT50314S0	3			

