

Drawing

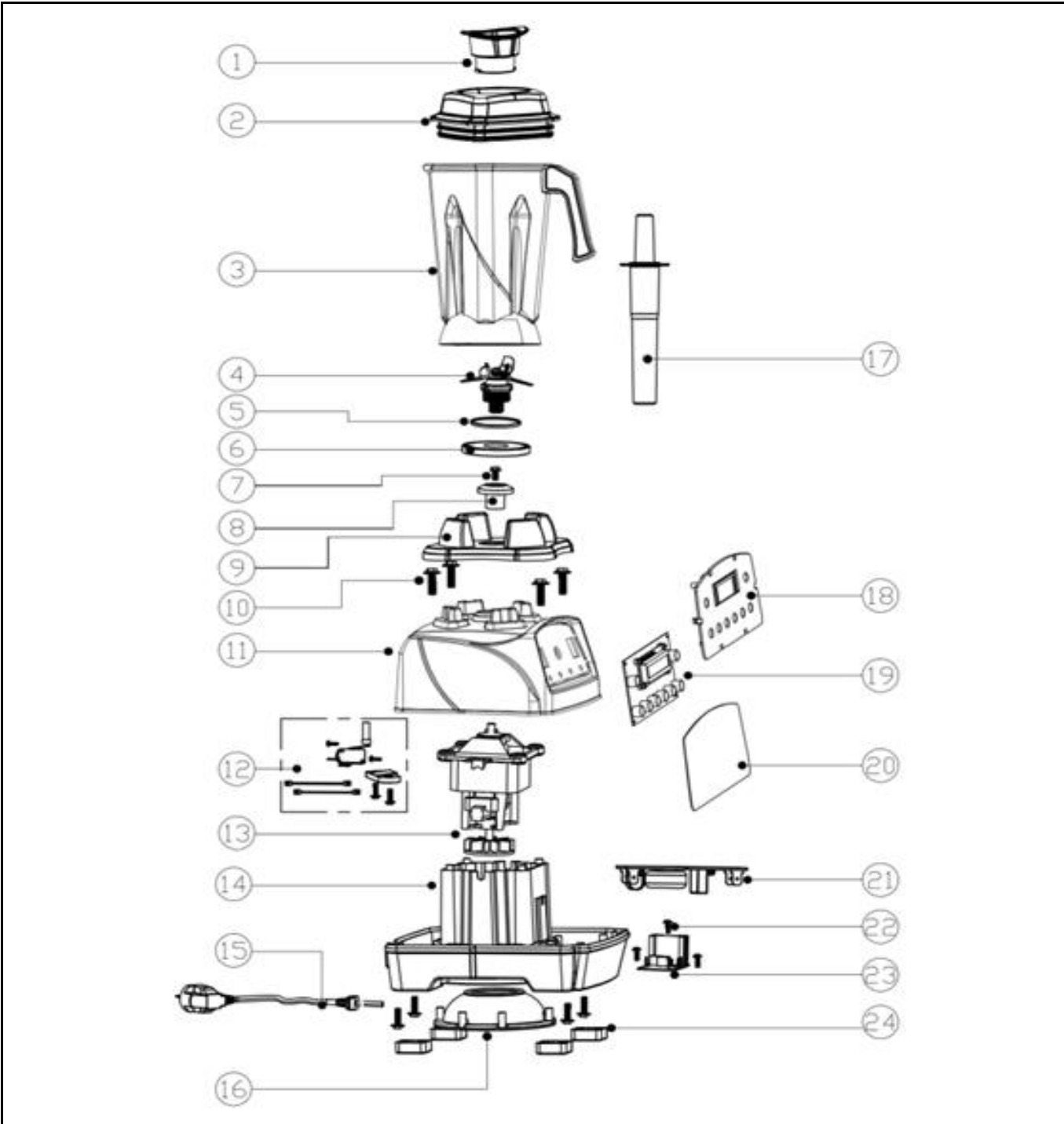


Tools for Chefs


Hendi B.V.
 Innovatielaan 6
 6745 XW De Klomp
 The Netherlands

Batch #	Appliance part#
000000 and up	238097
Description	
Bar blender digital	

Date	06-06-2024	Revision #	V.01
Revision	First Bill of Materials (BOM)		



Bill of materials (BOM)

 HENDI Tools for Chefs Hendi B.V. Innovatielaan 6 6745 XW De Klomp The Netherlands	Batch #	Appliance part#
	000000 and up	238097
	Description	
	Bar blender digital	


Date	06-06-2024	Revision #	V.01
Revision	First Bill of Materials (BOM)		

Item	Description	Part#	Quantity	Remark	Picture
1	Transparent cap	nss	1		
2	Lid complete	933787	1	Incl. item 1	
3A	Blender jar complete (polycarbonate)	943489	1	Incl. item 1, 2, 3, 4, 5 and 6	
3B	Blender jar complete (BPA-free tritan copolyester)	933688	1	Incl. item 1-6, sold seperately	
4	Cutting unit	946169	1		
5	Gasket	933817	1		
6	Retainer plate	933824	1		
7	Screw	nss	1		
8	Clutch	933831	1	Incl. item 7	
9	Jug holder	965214	1		
10	Screw (housing)	n/a	4		
11	upper housing	n/a	1		
12	Reed switch assembly	965221	1		
13	Motor	933916	1		
14	Bottom housing	n/a	1		
15	Power cord	n/a	1		
16	Deflector board	n/a	1		
17	Tamper	n/a	1		
18	Front panel	n/a	1		
19	Control PCB	965238	1		
20	Display sticker	965245	1		
21	Filter PCB	965252	1		
22	Screw	n/a	4		
23	Main PCB	965269	1		
24	Rubber feet	965276	4	Set of 4pcs	

n/a -> not available

nss -> not sold separately

Circuit diagram

 HENDI Tools for Chefs Hendi B.V. Innovatielaan 6 6745 XW De Klomp The Netherlands	Batch #	Appliance part#
	000000 and up	238097
	Description	
	Bar blender digital	

Date	06-06-2024	Revision #	V.01
Revision	First Bill of Materials (BOM)		

