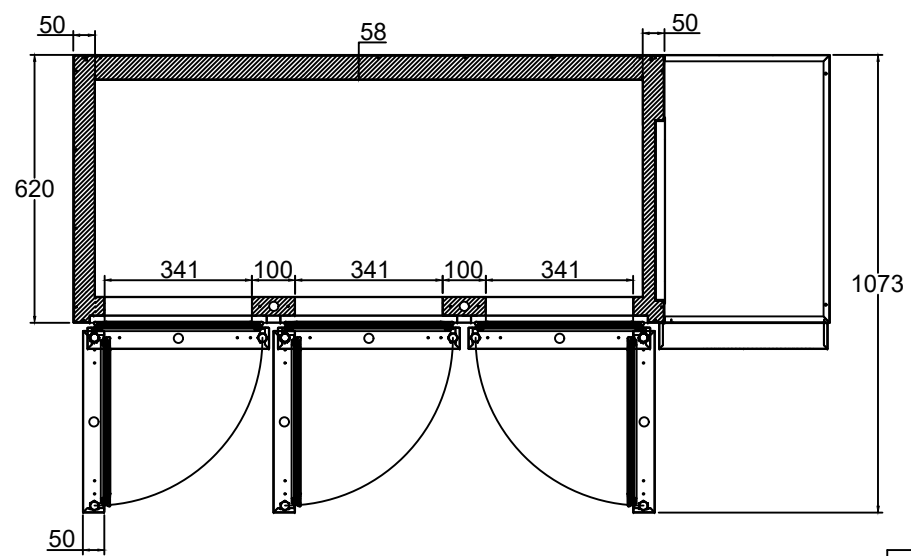
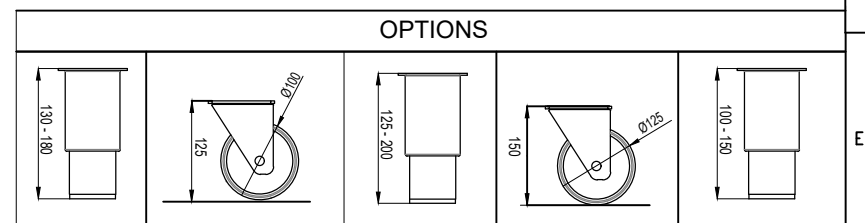


SECTION A-A



SECTION B-B



R&D		DATE		GENERAL TOLERANCES		HOSHIZAKI	
DRAWN		09.05.2024		DIN 7168			
CONTROL		09.05.2024		M		DESCRIPTION 1 PREMIER UNDERCOUNTER 3D MODEL PREP TABLE	
APPROV.		09.05.2024				DESCRIPTION 2	
REVISION		0		SCALE		DRAWING NO	
				1:1			

DO NOT SCALE FROM DRAWING!

ALL DIMENSIONS ARE IN (mm)