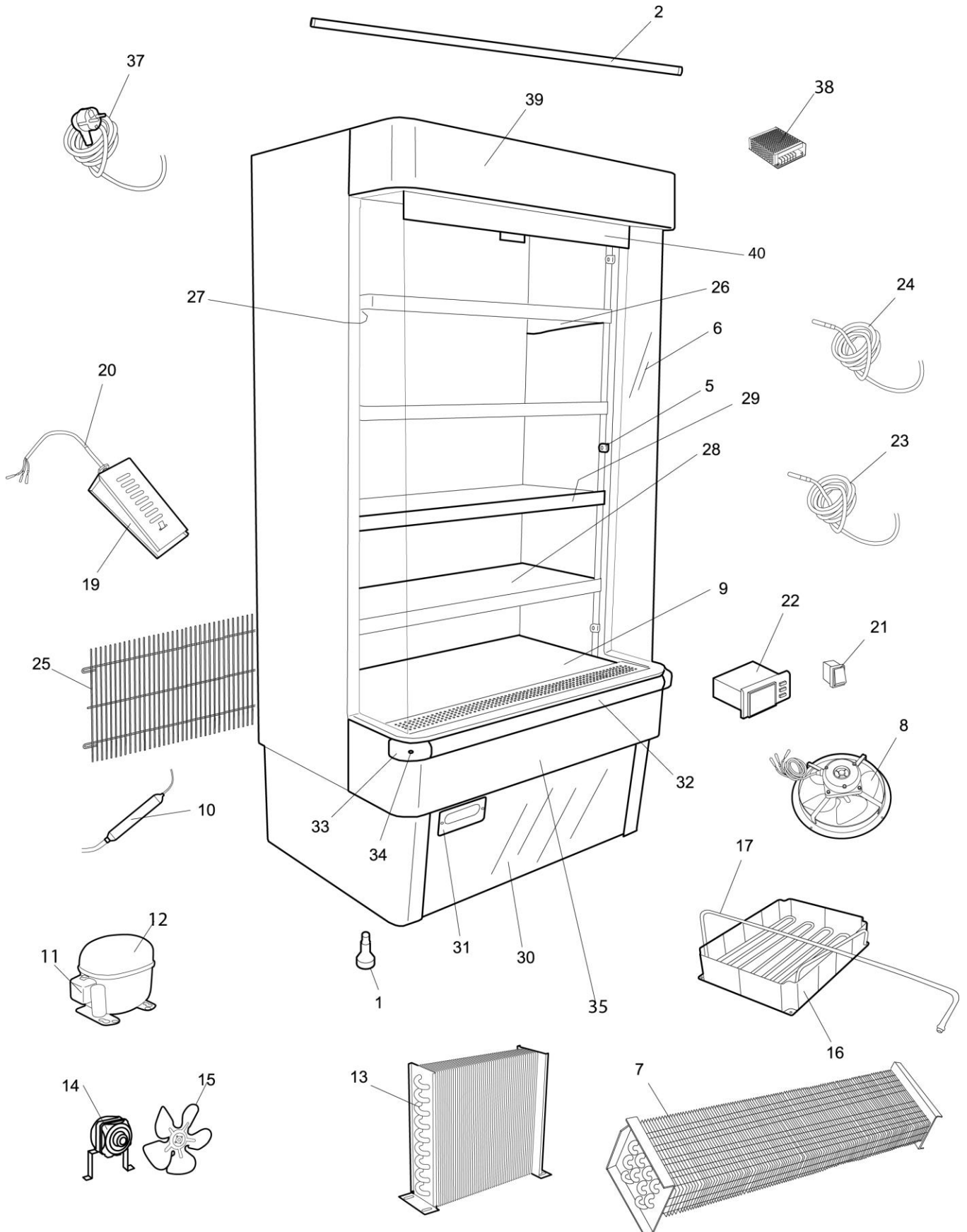


# JOLLY SLX SB 14 T.NOTTE R452A (COD. E6143R3401)



Open wall display for sausages and dairy products

Spare parts drawing



Updated on

# JOLLY SLX SB 14 T.NOTTE R452A (COD. E6143R3401)

Open wall display for sausages and dairy products

Spare parts list

Ref.	Description	Code
1	ALU LEVELING FOOT M12	5601100
2	LED LAMP T5 L1150	1112088
5	GLASS HOLDER PLATE MULTIDECK WHITE/9003	1722263
6	SIDE GLASS MULTIDECK	1751395
7	EVAPORATOR WINNER125/250 SL-MULTIDECK 14 SL	4132086
8	EVAPORATOR FAN MOTOR 10W - FAN 170.25	4121131
9	BOTTOM SHELF MULTIDECK 14 304/BA	8915931
10	FILTER XH9 ENTRY 6.5 OUT 8.5 GR80	3141046
11	ACCESSORIES SET NT6222GK CSIR 220-240V 50HZ	1147538
12	COMP.EMBRACO NT6222GK CSIR 220-240V 50HZ R404A	4108069
13	CONSENSER 10T-4R (540 A)	4100161081000
14	MOTOR FAN 10W 220/240V-50/60HZ BRACKET H72	4121135
15	FAN D.230-22° ALUMINUM	4001840120130
16	WATER EVAPORATION TRAY SLIM-TRIS ECONOMY	1722158
17	PLASTICIZ.PIPE COIL WATER TRAY MULTIDECK 14 SL	8922643
19	BRACKET RESIST.HOLDER DRAIN SLIM/TRIS/MULTID.ECO 304/2B	8915865
20	PTC CARTRIDGE RESISTANCE SLIM	1192081
21	TWO-POLE SWITCH BLACK	1014073
22	DIGITAL THERMOSTAT XR02CX MULTIDECK SL->	1188154
23	NTC L=2000 DIGITAL THERMOSTAT PROBE	1185050
24	NTC L=2000 DIGITAL THERMOSTAT PROBE PVC	1185052
25	REAR GRID MULTIDECK 14	0621269
26	RIGHT BRACKET FOR SHELF MULTIDECK - STAINLESS STEEL	8915837
27	LEFT BRACKET FOR SHELF MULTIDECK - STAINLESS STEEL	8915838
28	SHELF MULTIDECK 14 304/BA	8915839
29	ADESIVE PRICE HOLDER PROFILE MULTIDECK 14 WHITE	1712544
30	FRONT.GRID MULTIDECK 14 ME (COFFEE) 430/SB	8530166
31	CONTROL BOARD MULTIDECK	1792520
32	CURVED BUMPER 995110 MM1230 MULTID.14 BLACK/9005	1712648
33	ANGULAR CURVED BUMPER MULTIDECK BLACK	1723011
34	PLUG CURVED BUMPER D.8 BLACK/9005	3410799489002
35	REMOVABLE LOWER FRONT.PANEL MULTIDECK 14 430/SB	8530188
37	CABLE SUPPLY 3X1,5X3000 EUROPEAN PLUG TYPE SHUKO	1121014
38	POWER SUPPLY LED 24V REF.MW RS-75-24	1171011
39	REMOVABLE UPPER FRONT.PANEL MULTIDECK 14 430/SB	8530190
40	NIGHT BLIND L=1248 H=1500 TRIS125-MULTIDECK14 ->	8937010

\* Price list without VAT. The prices of the accessories set are to be considered only if they are sold with the relevant compressors

The manufacturer will reserve the right to make any modification without prior notice.

Updated on