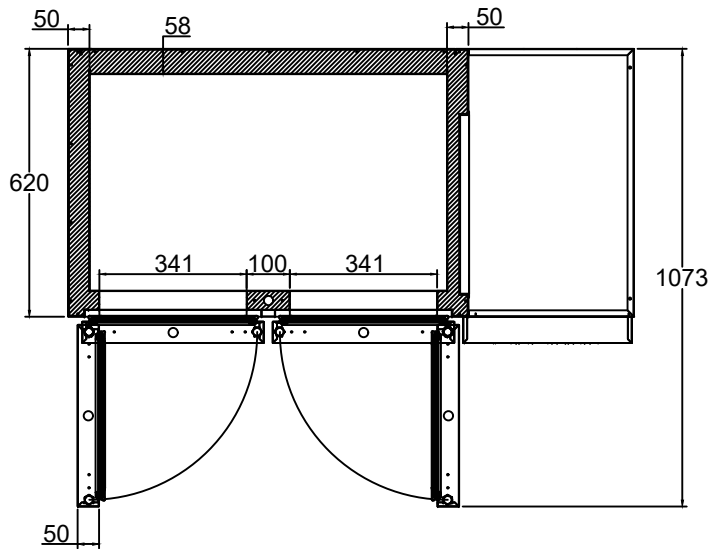
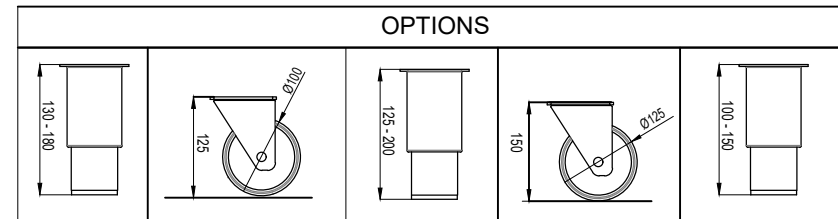


SECTION A-A



SECTION B-B



R&D		DATE		GENERAL TOLERANCES		<b>HOSHIZAKI</b>	
DRAWN		09.05.2024		DIN 7168 M			
CONTROL		09.05.2024		DESCRIPTION PREMIER UNDERCOUNTER 2D MODEL PREP TABLE		DESCRIPTION 2	
APPROV.		09.05.2024				DRAWING NO	
REVISION		0		SCALE		1:1	

DO NOT SCALE FROM DRAWING! ALL DIMENSIONS ARE IN (mm)