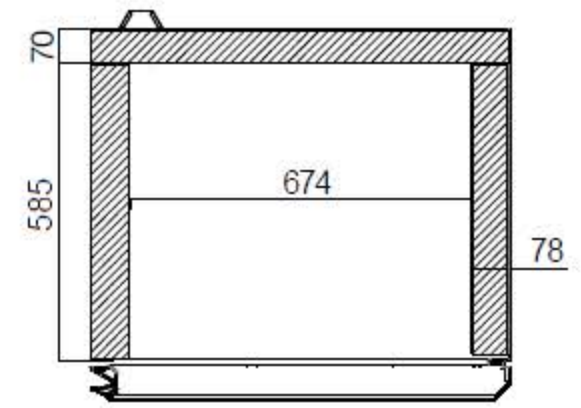
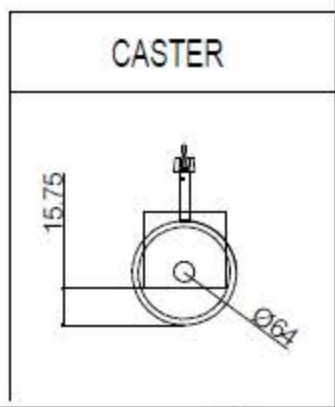


A-A



B-B



BRAND NAME		MODEL NAME	
DRAWN		PROJECT NO	
CONTROL		AUTHOR	
APPROV.			
GENERAL TOLERANCES		DIN 7168 M	

HOSHIZAKI

DESCRIPTION: BAKER 625 NF

DESCRIPTION 2:

SCALE: 1:5

DRAWING NO:

DO NOT SCALE FROM DRAWING!

ALL DIMENSIONS ARE IN (mm)

WEIGHT(g)

THICKNESS

REVISION

1

SCALE

1:5

DRAWING NO

