



HOSHIZAKI SERVICE MANUAL

PREMIER 140



**As the user, please use the operating instructions.
This service manual does not include operating instructions.
It is only intended for the service technician.
The user requires important safety information not included
here.**



Content

1) Safety Information	3
2) Intended Use.....	3
3) Suitable Installation Site	3
4) Setting up Several Cabinets Side by Side	5
5) Unpacking and Installing the Cabinet	6
6) Condensation Water Re-evaporation.....	8
7) Electrical Connection.....	9
8) Instructions for Daily Use.....	9
9) Cleaning and Maintenance	10
10) Control Elements.....	12
11) Removing and Reattaching the Evaporator Box for Service	23
12) Measures for Taking the Cabinet out of Operation for Long Periods.....	25
13) Disposal	25
14) Technical Support and Ordering Spare Parts	26
15) Technical Data	27
16) Dimensions	28
17) Wiring Diagram.....	31
18) Cooling Diagram.....	33



1) Safety information

This service manual does not include comprehensive operating instructions for the user; it is only a further supplement to the operating instructions.

It is intended for a trained service technician. As a result, many important safety instructions for the user are missing with regard to the scope and readability. In case of doubt, please observe the information in the operating instructions for transport, installation, operation and electrical safety and never pass on this service manual in place of the operating instructions.

2) Intended Use

This cabinet is intended for the storage of packaged foods at a constant temperature. This cabinet must not be used to cool down or freeze foods.

Area of application:

Climate Class	Ambient Temperatures and Humidity
4	+30°C with %55 RH
5	+40°C with %40 RH

3) Suitable Installation Site

The cabinet must be installed in a dry, well ventilated room away from direct sunlight at a sufficient distance from radiators and other sources of heat. Please always take into account the waste heat of all cabinets installed in one room!

The ambient temperature must lie between a minimum of **+16 °C** and a maximum of **+ 40°C**. A gap of at least 50 cm must be kept between the top edge of the machine compartment and the ceiling. The air exchange in this area must not be obstructed from the front or the side by screens etc. hanging from the ceiling.

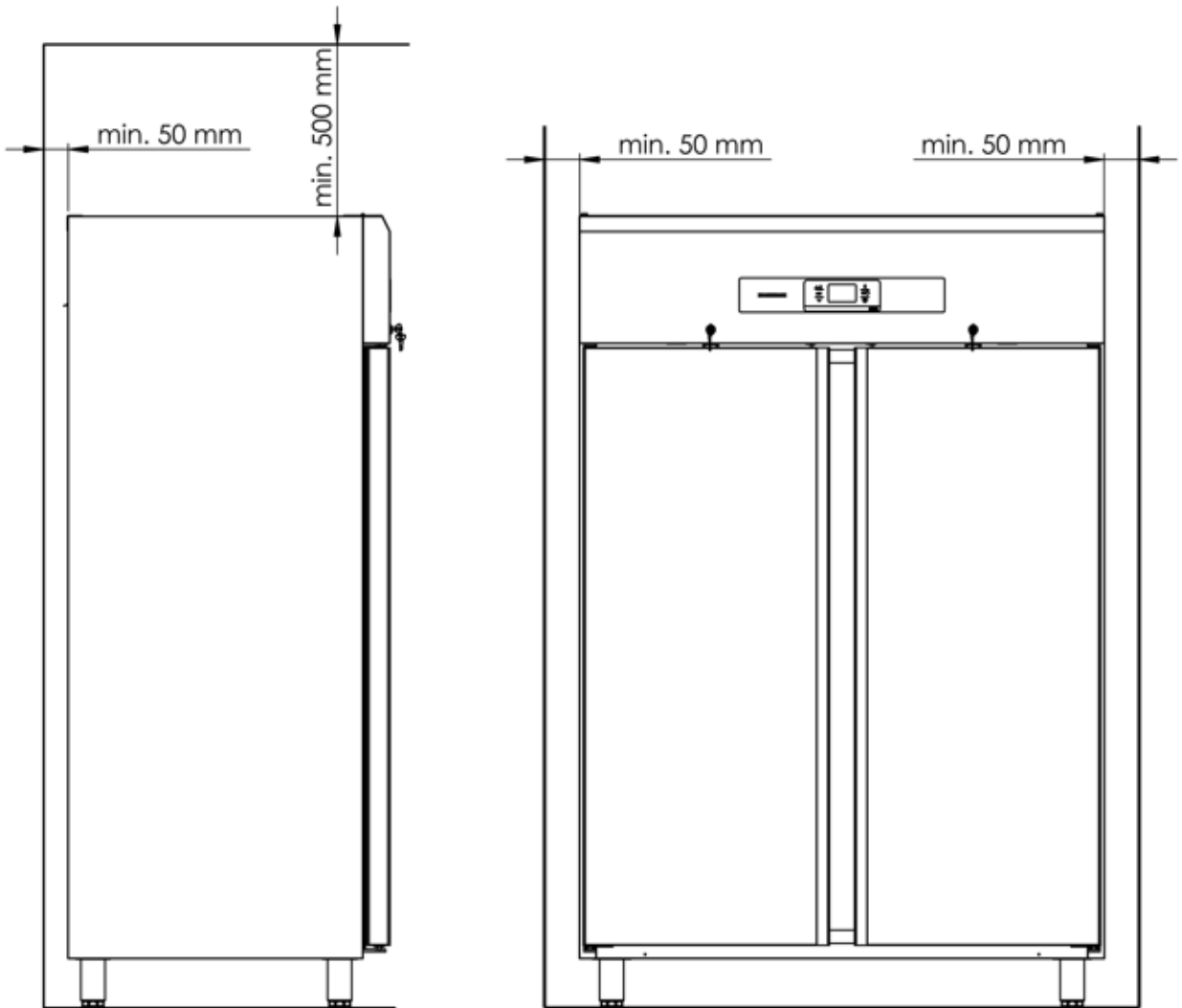
For electrical safety reasons, the cabinet must not be operated outside. The refrigeration technology of the cabinet does not function outside or in unheated rooms (particularly in colder seasons) and can be damaged by low temperatures.



Distance from walls and ceiling:



A gap of at least 500 mm must be kept between the top edge of the machine compartment and the ceiling and of at least 50 mm from walls, furniture and other cabinets.



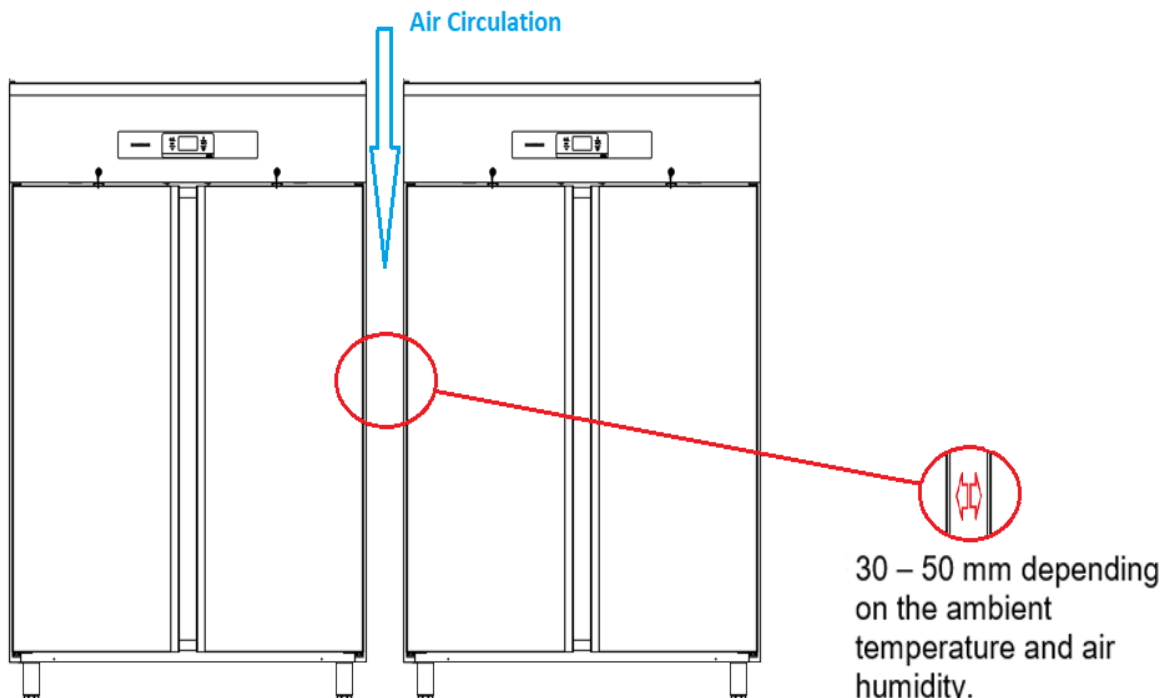
4) Setting Up Several Cabinets Side by Side

Depending on the temperature and air humidity at the installation site as well as the selected set point temperature, moisture in the ambient air can condense on the unit surface causing condensation.

If several cabinets are set up side by side, this condensation effect becomes stronger, and a lower air quantity can circulate between the cabinets. As a result, a minimum distance of **30 to 50 mm** must be kept between the cabinets depending on the temperature and air humidity.

These gaps must not be sealed either at the top or bottom, but can be covered by a stainless-steel panel from the front for aesthetic purposes. The panel must be removable for cleaning within the gaps.

If it is not possible for air to circulate freely at the bottom, e.g. due to a base installation, then the gaps cannot be sealed at the front.





5) Unpacking and Installing the Cabinet

The cabinet must be placed on its back in order to remove the pallet beneath it.



Warning

The refrigeration unit is located at the top of the cabinet. At least two people are required to lay down the cabinet and set it up right again.



Important

If the cabinet has laid on its back or was transported horizontally, then it must stand upright for at least two hours before switching it on to allow the oil to collect in the compressor.

Once the cabinet is on its back, the transport pallet must be removed by the following order;



1-2-3) 2 pieces of long wooden pieces at the bottom of the pallet are detached from the lower part of the pallet with the help of a screwdriver from the left side of the refrigerator.



4-5-6) The other side of the long wooden pieces is moved to the right side of the refrigerator and detached from the bottom of the pallet with the help of a screwdriver.



7-8-9) Then, 2 pieces of short wooden pieces at the back of the pallet are removed by hand. Once the pieces of wood that hold the cabinet to the pallet are removed, it means the cabinet is no longer connected to the pallet.

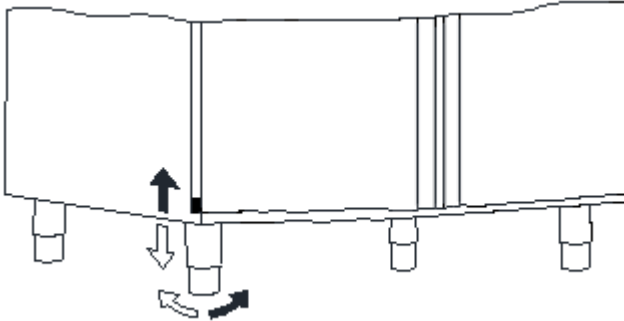


10-11-12) With the help of a pallet truck or by means of 2 people, the cabinet is first tilted to one side from the pallet and then the pallet is removed from the bottom. After the pallet leaves the refrigerator, the refrigerator is left slowly and with its feet evenly on the floor.



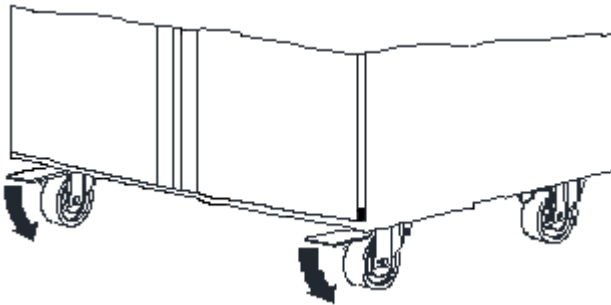
Cabinets on legs:

Cabinets on legs require an even, solid floor. Cabinets on legs are levelled by turning the internal part of the leg:



Cabinets on castors:

Cabinets on castors require a level, even and solid floor to provide a stable foundation. After correctly positioning the cabinet, the two brakes on the front castors must be applied.



6) Condensation Water Re-evaporation

The cabinets are equipped with a chamber for re-evaporation of the condensation water on top of the cabinets. This equipment is intended for the amount of condensation water that accumulates on average with a maximum of 72 door openings per day according ISO 22041.

The actual amount of condensation water may vary depending on usage and ambient conditions. If the number of door openings per day exceeds 72, or the condensation water pan overflows due to other usage factors, the user must use the product strictly under the specified conditions to prevent overflow. If the amount of condensation increases despite not changing the usage or the ambient conditions, the cabinet may have a defective door seal or a door that does not close properly.



7) Electrical Connection

The 220-230 V/50 Hz mains connection is established by plugging the provided cable with appliance connector into a socket with earthed protective contact.

30 mA residual current circuit breaker is essential.

There may be special regulations from your local energy supply company regarding earthing measures that must be observed.



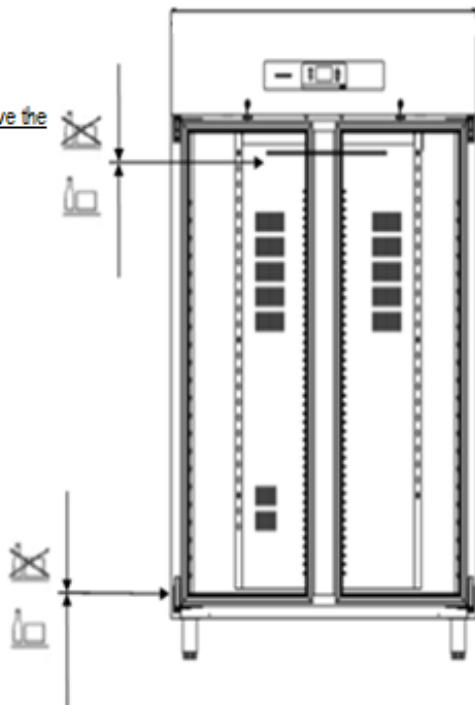
During working with the electrical equipment, the device must always be disconnected from the mains by pulling out the power plug. It is NOT sufficient to switch off the device with the ON/OFF button as parts of the device are still live

8) Instructions for Daily Use

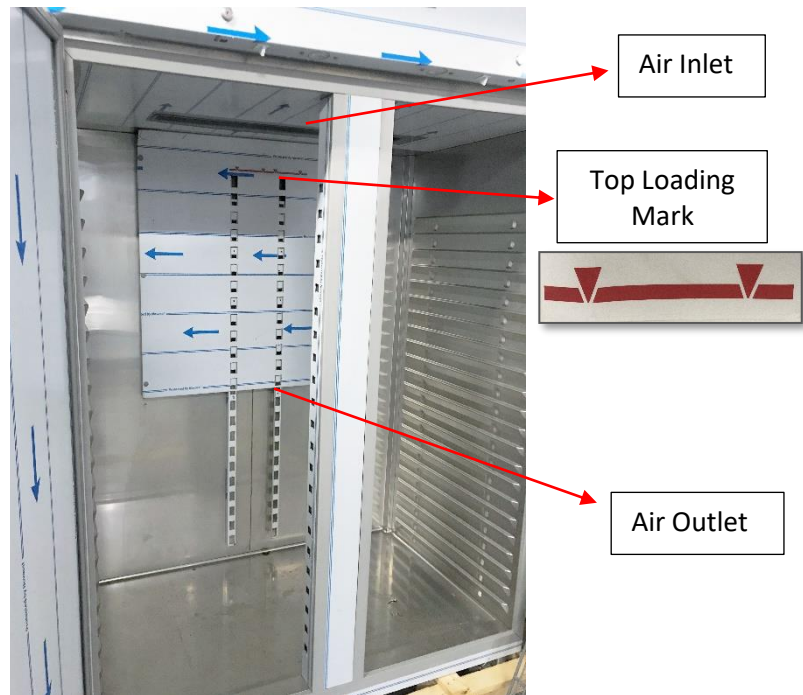
In order to achieve the necessary air circulation in the interior, only store goods within the corresponding markings (loading marks) and on the shelves (never on the floor or in front of the air outlets).

No electrical cabinets may be operated inside the cabinet.

Do not store goods above the top loading mark!



Do not store goods below the bottom grate!





9) Cleaning and Maintenance

The cabinet must be cleaned regularly. The intervals depend on the usage and level of soiling (at least annually).



Before carrying out any cleaning or maintenance operations, unplug the unit



Don't touch or wet the machine compartment parts. This could result in failure or breakdown.



To prevent possible damage, don't clean the plastic parts with water above 40° C or in a dishwasher.

Interior & Exterior of Cabinet and Shelves



Clean the interior and exterior at least once a week for sanitary use.



Clean off the interior and exterior of cabinet with a soft cloth soaked in cold or warm water containing the proper amount of neutral cleaner and wrung dry. Don't use a water jet to clean the machine compartment.



Chemical agents other than neutral cleaner might cause damage to the interior and exterior surfaces.

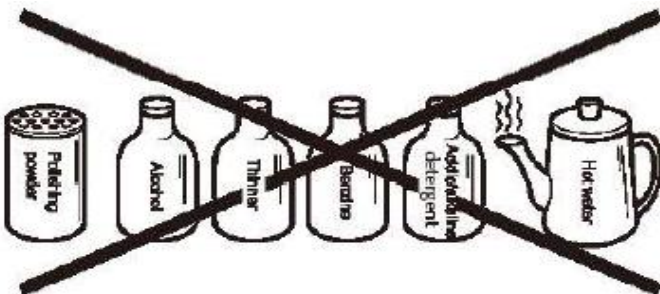


Any remaining detergent will damage metal or plastic surfaces. Use a soft cloth dampened with warm water to wipe it off.



Don't use the following items, they could damage painted or plastic surfaces:

- Polishing powder, alcohol, thinner, benzene, acidic or alkaline detergent, hot water, petroleum, soap powder, metal scourer or brush, etc. Especially detergent to clean grease on ventilator or microwave



Note: Some solutions other than the above may also damage painted or plastic surfaces. Immediately stop using such solutions if they cause any problems!



The door gasket and its contact surface get soiled easily. Clean every surface of these parts thoroughly. Remnants of food will accelerate aging.



Use a cloth to wipe off any water staying inside the cabinet.



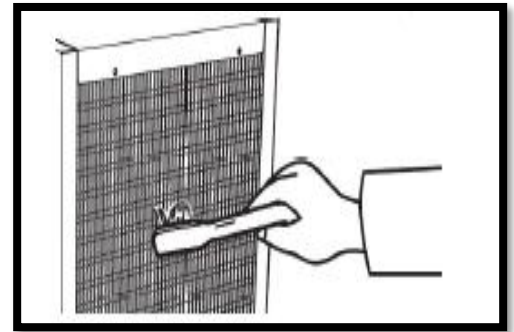
Condenser



Use vacuum cleaner or a soft brush to remove dust and stains from the condenser.

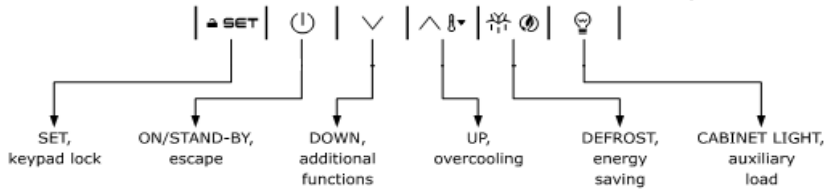


Warning: If user clean the condenser with hard brush, such as dishwasher brush, the coating of condenser may peel off.





10) Control Elements



Switching the device on and off



If POF = 1 (default), touch the on/stand-by key for 2s

If the device is switched on, the display will show “P5” value (“cabinet temperature” default); if the display shows an alarm code, see the section *ALARMS*.

LED	ON	OFF	FLASHING
	Compressor on	Compressor off	- compressor protection active - setpoint being set
	Evaporator fan on	Evaporator fan off	- evaporator fan stop active
	Cabinet light on	Cabinet light off	- cabinet light on by digital input
AUX 1	Auxiliary function 1 on	Auxiliary function 1 off	- auxiliary function 1 on by digital input - auxiliary function 1 delay active
AUX 2	Auxiliary function 2 on	Auxiliary function 2 off	- auxiliary function 2 on by digital input - auxiliary function 2 delay active
	Defrost or pre-dip active	-	- defrost delay active - dripping active
	Energy saving active Low consumption active	-	-
	View time	-	- set date, time and day of the current week
	View temperature	-	- overcooling or overheating active
HACCP	Saved HACCP alarm	-	- new HACCP alarm saved
	Alarm active	-	-



HOSHIZAKI EUROPE B.V.

If Loc = 1 (default) and 30 sec. have elapsed without the keys being pressed, the display will show the “Loc” label and the keypad will lock automatically.

Unlock keypad

Touch a key for 1 sec: the display will show the label “UnL”.

Set the set point (if r3= 0, default)

Check that the keypad isn’t locked.

1		Touch the SET key
2		Touch the UP or DOWN key within 15 sec. to set the value within the limits r1 and r2 (default “-40..... 50”)
3		Touch the SET key (or do not operate for 15 sec).

Active manual defrost (if r5= 0, default)

Check that the keypad isn’t locked and that overcooling is not active.

1		Touch the DEFROST key for 2 sec.
---	--	----------------------------------

If P3 = 1 (default), defrost is activated provided that the evaporator temperature is lower than the d2 threshold.

Cabinet light on/off (if u1c...u5c = 5)

1		Touch the CABINET LIGHT key.
---	--	------------------------------

Button operated load on/off (if u1c...u5c = 10 or 11)

2		Touch the CABINET LIGHT key. (for 2 sec if u1c...u5c = 5)
---	--	---

If u1c...u5c = 6, the demisting switch on for the u6 duration

Silence buzzer (if u9 = 1, default)

Touch a key.

If u1c...u5c = 11 and u4 = 1, the alarm output is deactivated.

ADDITIONAL FUNCTIONS

Activate/deactivate overcooling and overheating

Check that the keypad is not locked.

1		Touch the UP key for 2 sec
---	--	----------------------------

FUNCTION	CONDITION	CONSEQUENCE
overcooling	r5 = 0 and defrost not active	The setpoint becomes “setpoint – r6” for the r7 duration
overheating	r5 = 1	The setpoint becomes “setpoint + r6” for the r7 duration



Activate/deactivate energy saving in manual mode (if r5= 0)

Check that the keypad is not locked.

1		Touch the DEFROST key.
---	--	------------------------

The setpoint becomes “setpoint + r4” at maximum for HE2 duration.

Activate the high or low humidity functions (if F0 = 5)

Check that the keypad is not locked.

1		Touch the DOWN key for 1 sec.
2		Touch the UP or DOWN key within 15 sec. select the label “rH”.
3		Touch the SET key for 2 sec. until the display shows the right label for the function (only touch the key to see the function activated).
	LAB	DESCRIPTION
	rhL	Low humidity function (evaporator fan with F17 and F18 if the compressor is off, on if the compressor is on).
	rhH	High humidity function (evaporator fan on).
4		Touch the ON/STAND-BY key to exit the procedure (or don't operate for 60 sec.).

View/delete HACCP alarm information (not available in EVJ203, EVJ204, EVJ205, EVJ224 and EVJ225).

Check that the keypad isn't locked.

1		Touch the DOWN key for 1 sec.
2		Touch the UP or DOWN key within 15 sec. select a label.
	LAB	DESCRIPTION
	LS	View HACCP alarm information.
	rLS	Delete HACCP alarm information.
3		Touch the SET key.
4		Touch the UP or DOWN key to select an alarm code (to select label “LS”.) or to set “149” (to select label “rLS”).
	Code	Description
	AL	Low temperature alarm
	AH	High temperature alarm
	id	Open door alarm (If i4 = 1)
	PF	Power failure alarm (available in EVJ213, EVJ214, EVJ214N7VXXRXV, EVJ215, EVJ234, EVJ235 or in EVJ203, EVJ204, EVJ205, EVJ224 and EVJ225 with interface EVIF25TBX connected)



5		Touch the SET key.
6		Touch the ON/STAND-BY key to exit the procedure (or do not operate for 60 sec.).

Example of alarm information (e.g. a high temperature alarm)

8.0	critical value was 8.0 °C / °F (calculated cabinet/product temperature)
Sta	available in EVJ213, EVJ214, EVJ214N7VXXRXV, EVJ215, EVJ234, EVJ235 or in EVJ203, EVJ204, EVJ205, EVJ224 and EVJ225 with interface EVIF25TBX connected
y15	alarm signalled in 2015
n03	alarm signalled in March
d26	alarm signalled on 26 March 2015
h16	alarm signalled at 16.00
n30	alarm signalled at 16.30
dur	
h01	alarm lasted 1 h
n15	alarm lasted 1 h 15 min

View/delete compressor functioning hours.

Check that the keypad is not locked.

1		Touch the DOWN key for 1 sec.
2		Touch the UP or DOWN key within 15 sec. to select a label.
	LAB	DESCRIPTION
	CH1	View compressor functioning hundreds of hours
	CH2	View second compressor functioning hundreds of hours (if u1c...u5c = 1)
	rCH	Delete compressor and second compressor functioning hours
3		Touch the SET key.
4		Touch the UP and DOWN to set "149" (to select "rCH").
5		Touch the SET key.
6		Touch the ON/STAND-BY key to exit the procedure (or don't operate for 60 sec.).



View the temperature detected by the probes.

Check that the keypad is not locked.

1		Touch the DOWN key for 1 sec.
2		Touch the UP or DOWN key within 15 sec. to select a label.
	LAB	DESCRIPTION
	Pb1	Cabinet temperature (if P4 = 0, 1 or 2)
		Inlet air temperature (if P4 = 3)
	Pb2	Evaporator temperature (if P3 = 1 or 2)
	Pb3	Auxiliary temperature (if P4 = 1,2 or 3)
Pb4	Calculated product temperature (CPT; if P4 =3)	
3		Touch the SET key.
4		Touch the ON/STAND-BY key to exit the procedure (or don't operate for 60 sec.).

SETTINGS

Setting configuration parameters.

1		Touch the SET key for 4 sec. the display will show the label "PA"
2		Touch the SET key
3		Touch the UP or DOWN key within 15 sec. to set the PAS value (default "-19")
4		Touch the SET key (or don't operate for 15 sec) the display will show label "SP"
5		Touch the UP or DOWN key to select a parameter.
6		Touch the SET key.
7		Touch the UP or DOWN key within 15 sec. to set the value.
8		Touch the SET key (or don't operate for 15 sec).
9		Touch the SET key for 4 sec. to exit the procedure (or don't operate for 60 sec).



HOSHIZAKI EUROPE B.V.

Set the date, time and day of the week (available in EVJ213, EVJ214, EVJ214N7VXXRXV, EVJ215, EVJ234, EVJ235 or in EVJ203, EVJ204, EVJ205, EVJ224 and EVJ225 with interface EVIF25TBX or EVIF25TWX connected)


	<p>N.B.</p> <ul style="list-style-type: none"> - If the device is connected to the interface EVIF25TBX, do not disconnect the device from the mains within two minutes since the setting of the time and day of the week. - If the device communicates with the APP EV connect, the date, time and day of the week will automatically be set by the smartphone or tablet.
--	---









Check that the keypad isn't locked

1		Touch the DOWN key for 1 sec.
2		Touch the UP or DOWN key within 15 sec. to select a label "rtc".
3		Touch the SET key. The display will show the label "y" followed by the last two figures of the year.
4		Touch the UP or DOWN key within 15 sec. to set the year.
5	Repeat actions 3 and 4 to set the next labels.	
	LAB.	MEANING OF THE NUMBERS FOLLOWING THE LABEL
	n	Month (01....12)
	d	Day (01....31)
	h	Time (00....23)
	n	Minutes (00....59)
6		Touch the SET key. The display will show the label for the day of the week.
7		Touch the UP and DOWN key within 15 sec. to set the day of the week.
	LAB.	MEANING OF THE NUMBERS FOLLOWING THE LABEL
	Mon	Monday
	TuE	Tuesday
	Ued	Wednesday
	thu	Thursday
	Fri	Friday
	Sat	Saturday
	Sun	Sunday
8		Touch the SET key. The device will exit the procedure.
9		Touch the ON/STAND-BY key to exit the procedure beforehand.



Reset the factory settings

	<p>N.B. Check that the factory settings are appropriate; see the section <i>CONFIGURATION PARAMETRES</i>.</p>
--	---

1		Touch the SET key for 4 sec. The display will show the label “PA”.
2		Touch the SET key.
3		Touch the UP or DOWN key within 15 sec. to set “149”.
4		Touch the SET key (or don't operate for 15 sec). The display will show label “dEF”
5		Touch the SET key.
6		Touch the UP or DOWN key within 15 sec. to set “1”.
7		Touch the SET key. (or don't operate for 15 sec.)
8	Interrupt the power supply to the device.	
9		Touch the SET key for 2 sec. before action 6 to exit procedure beforehand.



ALARMS

CODE	DESCRIPTION	RESET	TO CORRECT
Pr1	Cabinet Probe Alarm	automatic	<ul style="list-style-type: none"> - check P0 - check probe integrity - check electrical connection
Pr2	Evaporator Probe Alarm	automatic	
Pr3	Auxiliary Probe Alarm	automatic	
rtc	Clock Alarm	manual	Set date, time and day of the week.
AL	Low Temperature Alarm	automatic	Check A0 , A1 and A2
AH	High Temperature Alarm	automatic	Check A4 and A5
id	Open Door Alarm	automatic	Check i0 and i1
PF	Power Failure Alarm	manual	<ul style="list-style-type: none"> - touch a key - check electrical connection
COH	High Condensation Warning	automatic	Check C6
CSd	High Condensation Alarm	manual	<ul style="list-style-type: none"> - switch the device off and on - check C7
iA	Multi Purpose input Alarm	automatic	Check the i5 and i6
iSd	High Pressure Alarm	manual	<ul style="list-style-type: none"> - switch the device off and on - check i5, i6, i8, i9
LP	Low Pressure Alarm	automatic	Check i5 and i6
C1t	Compressor Thermal Switch Alarm	automatic	Check i5 and i6
C2t	Second Compressor Thermal Switch Alarm	automatic	Check i5 and i6
dFd	Defrost Alarm	manual	<ul style="list-style-type: none"> - touch a key - check d2, d3 and d11
FUL	SD Card Full Alarm	manual	Free up space on the SD card or replace it
Sd	No SD Card inserted Alarm	manual	Insert the SD card or replace it



PARAMETER LIST

		PREMIER K 140	PREMIER KG 140	PREMIER M 140	PREMIER F 140
P. CODE	DESCRIPTION	VALUE	VALUE	VALUE	VALUE
SP	Set point	3	3	3	-20
CA1	cabinet probe offset	0	0	0	0
CA2	evaporator probe offset	0	0	0	0
CA3	Auxillary probe offset	0	0	0	0
P0	probe type	1	1	1	1
P1	enable °C decimal point	1	1	1	1
P2	temperature unit of measurement	0	0	0	0
P3	Evaporator probe function	1	1	1	1
P4	configurable input function	1	1	1	1
P5	value displayed	0	0	0	0
P7	inlet air weight for calculated product temperature	50	50	50	50
P8	display refresh time	0	0	0	0
r0	setpoint differential	3.0	3.0	3.0	3.0
r1	minimum setpoint	2	2	-5	-25
r2	maximum setpoint	12	12	12	-5
r3	enable setpoint block	0	0	0	0
r4	setpoint offset in energy saving	0	0	0	0
r5	cooling or heating operation	0	0	0	0
r6	setpoint offset in overcooling/overheating	0	0	0	0
r7	Overcooling/overheating duration	0	0	0	0
r12	position of the r0 differential	1	1	1	1
C0	compressor on delay after power-on	0	0	0	0
C1	delay between 2 compressor switch-ons	5	5	5	5
C2	compressor off minimum time	3	3	3	3
C3	compressor on minimum time	0	0	0	0
C4	compressor off time during cabinet probe alarm	5	5	5	5
C5	compressor on time during cabinet probe alarm	5	5	5	5
C6	threshold for high condensation warning	60	60	60	60
C7	threshold for high condensation alarm	100	100	100	100
C8	high condensation alarm delay	1	1	1	1
C10	compressor hours for service	0	0	0	0
C11	compressor 2 on delay	10	10	10	10
d00	enable double defrost	1	0	1	0
d01	temperature for defrost B activation	2	2	2	2
d0	automatic defrost interval	6	6	6	6
d0b	automatic defrost interval for B	4	6	4	6
d1	defrost type	2	2	0	0
d1b	defrost type for B	2	2	2	0
d2	threshold for defrost end	8	8	8	8
d2b	threshold for defrost end for B	4	8	4	8



		PREMIER K 140	PREMIER KG 140	PREMIER M 140	PREMIER F 140
P. CODE	DESCRIPTION	VALUE	VALUE	VALUE	VALUE
d3	defrost duration	60	60	60	60
d3b	defrost duration for B	85	60	85	60
d4	enable defrost at power-on	0	0	0	0
d5	defrost delay after power-on	0	0	0	0
d6	value displayed during defrost	2	2	2	2
d7	dripping time	3	3	3	3
d7b	dripping time for B	3	3	3	3
d8	defrost interval counting mode	0	0	0	0
d9	evaporation threshold for automatic defrost interval counting	0	0	0	0
d11	enable defrost timeout alarm	0	0	0	0
d15	compressor on consecutive time for hot gas defrost	0	0	0	0
d16	pre-dripping time for hot gas defrost	0	0	0	0
d18	adaptive defrost interval	999	999	999	999
d19	threshold for adaptive defrost (relative to optimal evaporation temperature)	3	3	3	3
d20	compressor on consecutive time for defrost	999	999	999	999
d21	compressor on consecutive time for defrost after power-on and overcooling	500	500	500	500
d22	evaporation threshold for adaptive defrost interval counting (relative to optimal evaporation temperature)	-2.0	-2.0	-2.0	-2.0
d25	enable air out probe for defrost during evaporator probe alarm	0	0	0	0
d26	defrost interval during evaporator probe alarm	6	6	6	6
A0	select value for high/low temperature alarms	0	0	0	0
A1	threshold for low temperature alarm	10	10	10	10
A2	low temperature alarm type	0	0	0	0
A4	threshold for high temperature alarm	10	10	10	10
A5	high temperature alarm type	0	0	0	0
A6	high temperature alarm delay after power-on	120	120	120	120
A7	high/low temperature alarms delay	120	120	120	120
A8	high temperature alarm delay after defrost	120	120	120	120
A9	high temperature alarm delay after door closing	120	120	120	120
A10	power failure duration for alarm recording	240	240	240	240
A11	high/low temperature alarms reset differential	1	1	1	1
F0	evaporator fan mode during normal operation	1	1	1	1
F0b	evaporator fan mode during normal operation for B	1	1	1	1
F1	threshold for evaporator fan operation	8	8	8	8
F2	evaporator fan mode during defrost and dripping	1	1	0	0
F2b	evaporator fan mode during defrost and dripping for B	1	1	1	0
F3	evaporator fan off maximum time	2	2	2	2



		PREMIER K 140	PREMIER KG 140	PREMIER M 140	PREMIER F 140
P. CODE	DESCRIPTION	VALUE	VALUE	VALUE	VALUE
F3b	evaporator fan off maximum time for B	2	2	2	2
F4	evaporator fan off time during energy saving	18	30	18	30
F5	evaporator fan on time during energy saving	18	6	18	6
F6	high/low humidity operation	1	1	1	1
F7	threshold for evaporator fan on after dripping (relative to setpoint)	5.0	5.0	5.0	5.0
F8	threshold for evaporator fan operation differential	2	2	2	2
F9	evaporator fan off delay after compressor off	10	10	10	10
F10	condenser fan mode	1	1	1	1
F11	threshold for condenser fan on	15	15	15	15
F12	condenser fan off delay after compressor off	30	30	30	30
F17	evaporator fan off time with low humidity	60	60	60	60
F18	evaporator fan on time with low humidity	10	10	10	10
i0	door switch input function	5	5	5	5
i1	door switch input activation	1	1	1	1
i2	open door alarm delay	2	2	2	2
i3	regulation inhibition maximum time with door open	10	10	10	10
i5	multi-purpose input function	8	8	8	8
i6	multi-purpose input activation	0	0	0	0
i7	multi-purpose input alarm delay	0	0	0	0
i8	number of multi-purpose input activations for high pressure alarm	0	0	0	0
i9	reset counter time for high pressure alarm	240	240	240	240
i10	door closed consecutive time for energy saving	1	1	1	1
i13	number of door openings for defrost	0	0	0	0
i14	door open consecutive time for defrost	0	0	0	0
u1c	relay K1 configuration	0	0	0	0
u2c	relay K2 configuration	4	4	4	4
u3c	relay K3 configuration	2	2	2	2
u2	enable cabinet light and buttonoperated load in stand-by	0	0	0	0
u4	enable alarm output off silencing the buzzer	1	1	1	1
u5	threshold for door heaters on	-1.0	-1.0	-1.0	-1.0
u6	demisting on duration	5	5	5	5
u7	neutral zone threshold for heating (relative to setpoint)	-5.0	-5.0	-5.0	-5.0
U9	enable alarm buzzer	1	1	1	1
Hr0	enable clock	0	0	0	0
HE2	energy saving maximum duration	720	720	720	720
H01	energy saving time	0	0	0	0
H02	energy saving maximum duration	0	0	0	0
POF	Key activation	1	1	1	1
PAS	Access to password	-19	-19	-19	-19



11) Removing and Reattaching the Evaporator Box for Service

The cover of evaporator can be removed and reattached for purpose of service according to the following procedure:

Removing the Evaporator Box:

1) There must be no traces of putty on the Evaporator Box surface, it must be removed.	2) Loosen the belts that secure the evaporator box and carefully remove to avoid damage. The Evaporator Box needs to be lifted carefully not damaging box.

Checking and Reattaching the Evaporator Box:

1) Remove all putty from surface of evaporator box.	2) O-ring must be placed in its slot. O-ring should be attached to the box in order to prevent the possibility of air intake.	3) 2-3 mm thick putty should be applied to box duct.



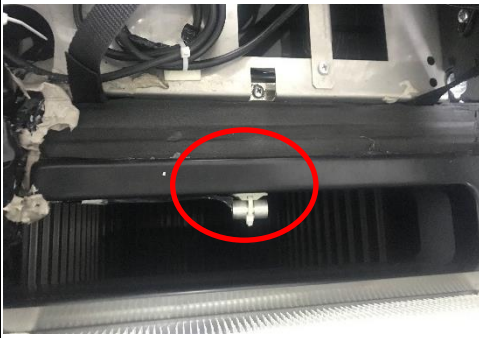
4) Probes and inlet/outlet pipes which connected with Evaporator must cover by PVC insulation tape and make sure all these elements adjust properly.



5) Make sure the sensor position is right and suitable and drain path must be checked.



6) There must be sheet plate under the Defrost Heater to prevent plastic surface from melting.



7) Make sure the sensor is correctly positioned and drain path is checked.



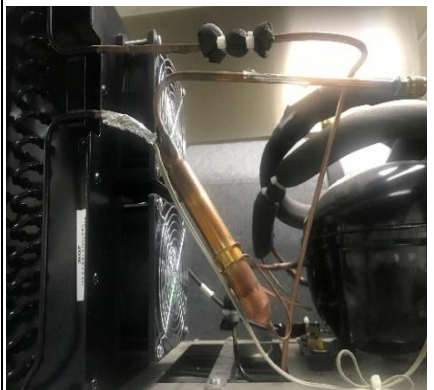
8) After fitting the evaporator box secure the belts and do not overtighten. Make sure there are no gaps around the base of the box.



9) Make sure the pipe and cable entry point is fully sealed with putty.



10) Vacuum Breaker must be sealed by putty on Freezer Cabinets, it must be also checked by service technicians!



11) When the positioning is done the dryer mustn't touch with any surface.



12) Measures for Taking the Cabinet Out of Operation for Long Periods

- Disconnect the power plug from the socket or switch off the circuit fuse.
- Remove all foods from the cabinet.
- Clean the cabinet (see cleaning section).
- Do not fully close the door; this will prevent unpleasant odors



Warning Please note that as soon as you disconnect the cabinet from the mains, condensation water may drip from the cabinet onto the floor. This could damage the floor and make it slippery.

13) Disposal

Electrical and electronic equipment (EEE) contains materials, components and substances that could pose a threat to humans and the environment if proper disposal (WEEE) is not observed.

Products labelled with a crossed-out bin symbol belong to this group of electrical and electronic components. The crossed-out bin symbol indicates that this type of waste must not be disposed of with regular household waste, but must instead be collected and sorted separately.

If the device requires disposal, this must be carried out in a proper and environmentally friendly manner. The applicable laws and directives related to disposal must be observed.

Please ask your specialist dealer or your local authority about proper disposal.





14) Technical Support and Ordering Spare Parts

Technical support for **resellers and service partners**:

Branches

Hoshizaki UK - UK, Ireland

TEL: +44 845 456 0585
uksales@hoshizaki.co.uk

Hoshizaki Deutschland - Germany, Switzerland, Austria

TEL: +49 (0)5121 697370
vertrieb@hoshizaki.de

Hoshizaki Benelux - Netherlands, Belgium, Luxembourg

TEL: +31 (0)85 0188370
info@hoshizaki.nl

Hoshizaki France - France

TEL: +33 (0)1 48 63 93 80
info@hoshizaki.fr

Hoshizaki Iberia - Spain, Portugal

TEL: +34 (0)93 478 09 52
info@hoshizaki.es

Hoshizaki Denmark - Denmark

TEL.: +45 89 88 53 50
salg@hoshizaki.dk

Hoshizaki Norway - Norge

TEL.: +47 22 88 17 50
salg@hoshizaki.no

Hoshizaki Sweden - Sverige

TLF.: +46 108 84 87 47
OrderSE@hoshizaki.dk

Hoshizaki Italia – Italia

TEL: +39 348 3022156
commerciale@hoshizaki.it

Hoshizaki Europe B.V – All other countries in Europe and Africa

TEL: +31 (0)20 691 84 99
sales@hoshizaki.nl -- <http://hoshizaki-europe.com/>

In the event of faults, please first check if the cabinet is connected to the mains, then check the fault indicator on the display and consult the service manual.

Spare parts can only be ordered **from commercial resellers** (refrigeration specialist companies, dealers, purchasing cooperatives, e.g. BÄKO) and **in writing (e-mail, fax, conventional mail)**.

Please always note the cabinet type, part number and serial number when making enquiries and placing orders. This information can be found on the label.

If you have a smartphone, we recommend sending us a photo of the label and, if in doubt, of the cabinet and the defective part as well.



15) Technical Data

Placement of the label:

PRODUCT DESCRIPTION LABEL	
1 Product Number	
2 Product Description	
3 Model	
4 Refrigerant (GWP)	
5 CO2 Equivalent	
6 IP Protection	
7 Climate Class	
8 Production Date	
9 Total power / Current / Lamp power	
10 Voltage - Frequency	
11 Heating Element	
12 System Pressure	
13 Blowing Agent	
14 Serial Number	



S/N: 14
HOSHIZAKI EUROPE B.V. - Burgemeester Stramanweg 101 1101 AA
Amsterdam, The Netherlands

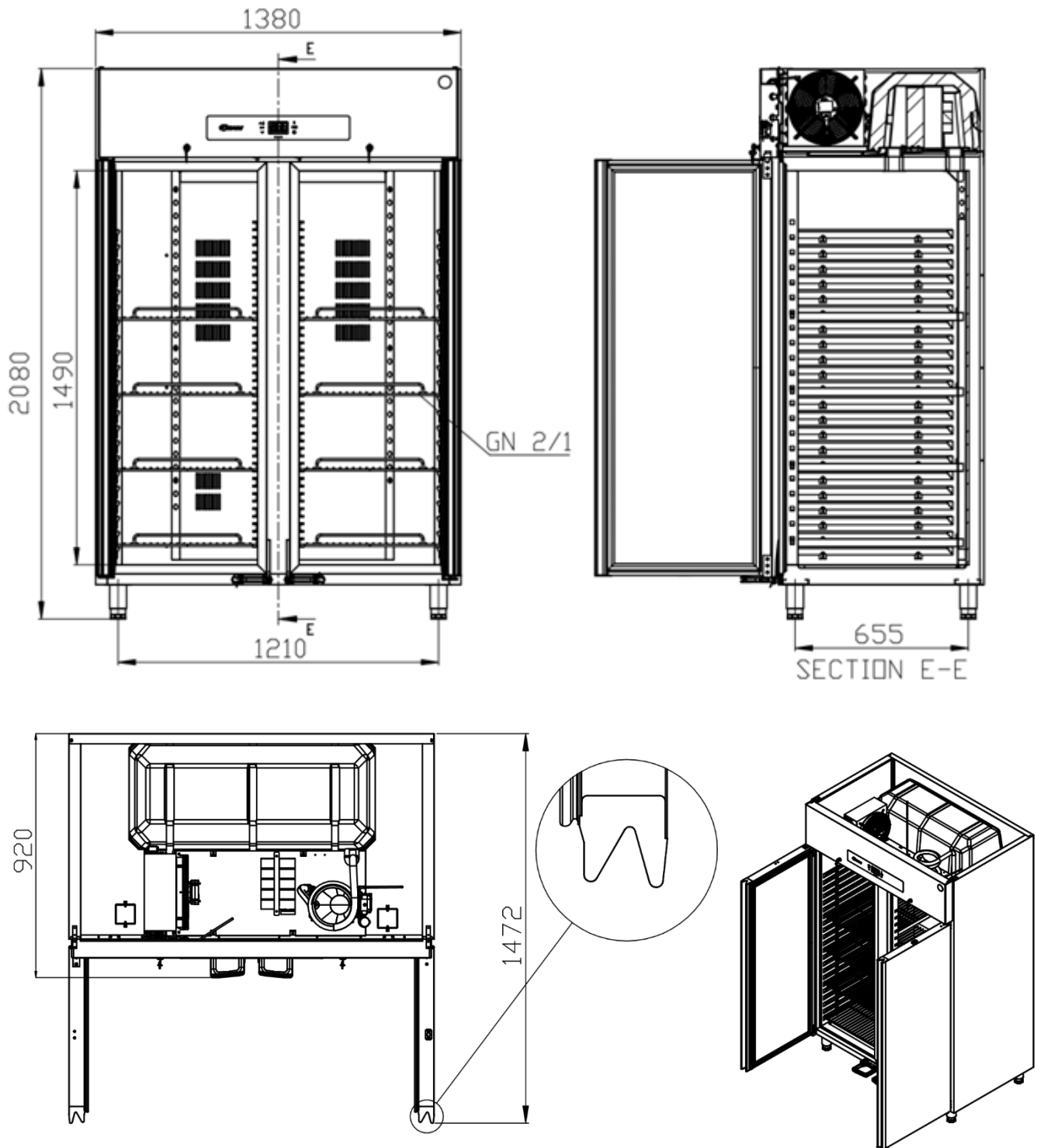


Trade mark			HOSHIZAKI			
Model name			PREMIER K 140	PREMIER KG 140	PREMIER M 140	PREMIER F 140
Intended use			Storage	Storage	Storage	Storage
Chilled operating temperature			X	X	X	
Frozen operating temperature						X
Multiuse cabinet						
Vertical cabinet			X	X	X	X
Counter cabinet						
Parameter	Symbol	Unit				
Energy Efficiency Class	EEC	-	A	B	A	C
Energy Efficiency Index	EEI	-	24,75	34,47	24,75	47,59
24 hour Energy Consumption	E24h	kWh	1,622	2,26	1,622	8,891
Annual Energy Consumption	AEC	kWh	592,03	824,53	592,03	3245,21
Net volume for compartment 1	Vn or Vn1	litre	542,5	542,5	542,5	542,5
Net volume for compartment 2	Vn2	litre	542,5	542,5	542,5	542,5
Net volume for compartment 3	Vn3	litre	-	-	-	-
Net volume for compartment 4	Vn4	litre	-	-	-	-
Total Net volume	VnT	litre	1085	1085	1085	1085
Climate Class	CC		5	4	5	5
Refrigerant			R290	R290	R290	R290
Charge		kg	0.14	0.14	0.14	0.14
GWP			3	3	3	3
CO2 Equivalent			0,42	0,42	0,42	0,42
Heavy-duty; This appliance is intended for use in ambient temperatures up to 40°C			X		X	X
Contact details:	HOSHIZAKI EUROPE B.V. Address: Burgemeester Stramanweg 101 1101 AA Amsterdam, The Netherlands Tel.: +31 (0)20 691 84 99 - http://hoshizaki.europe.com/					



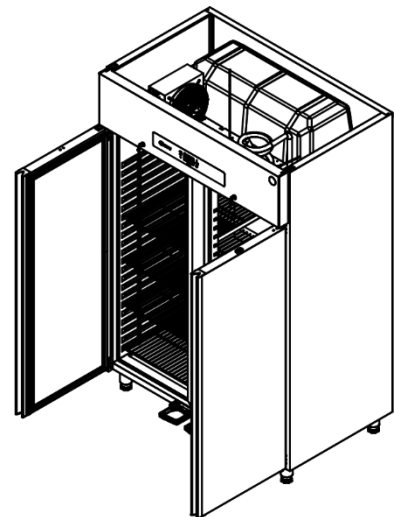
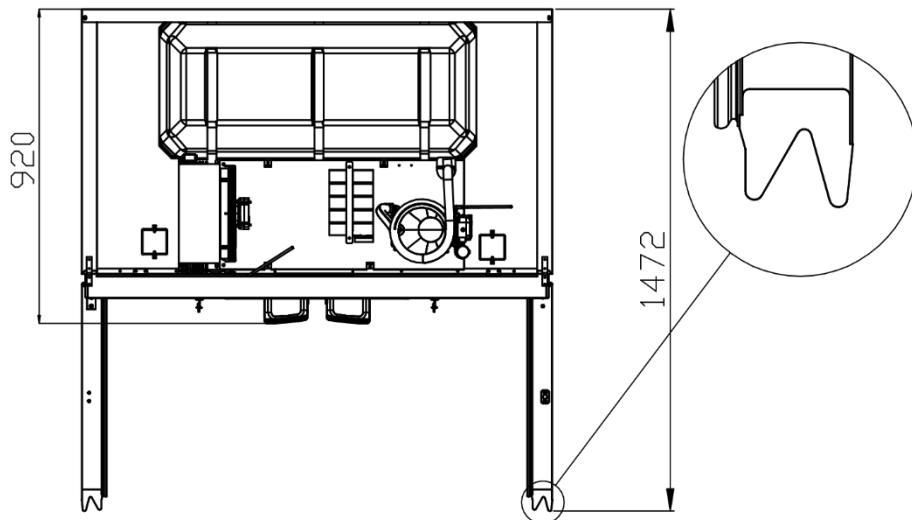
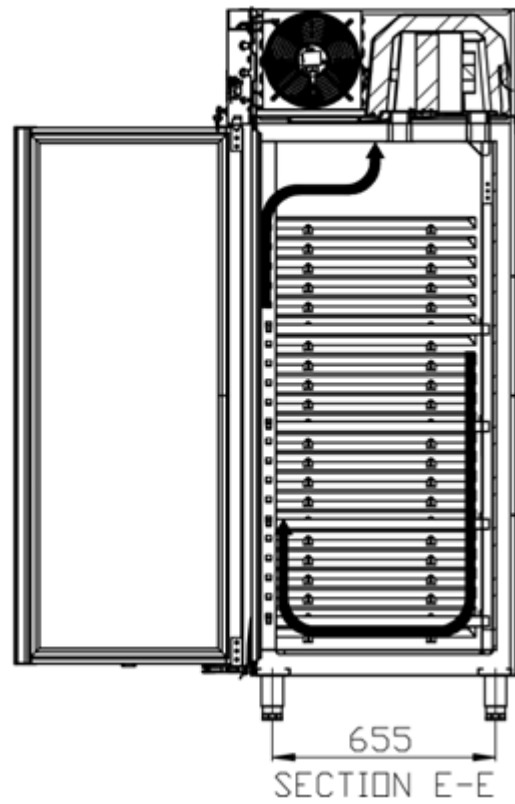
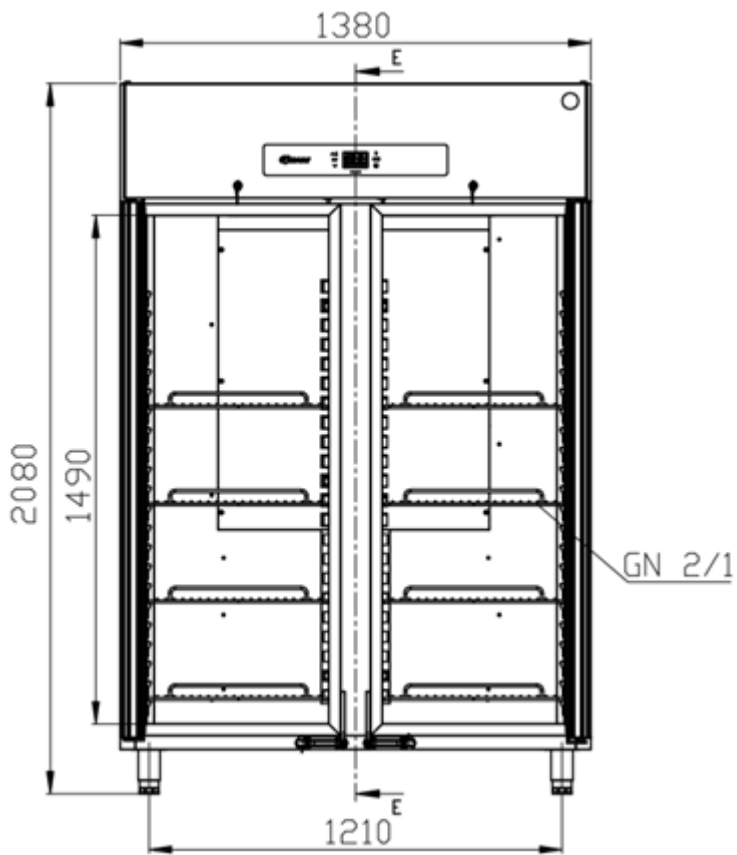
16) Dimensions

PREMIER K 140 – M 140



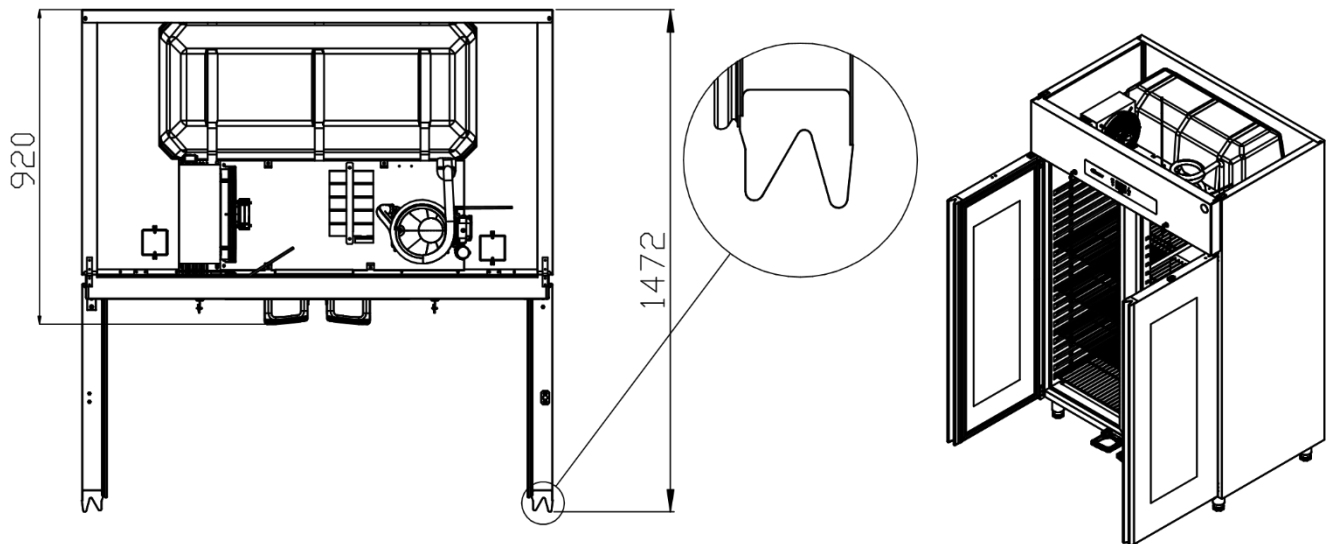
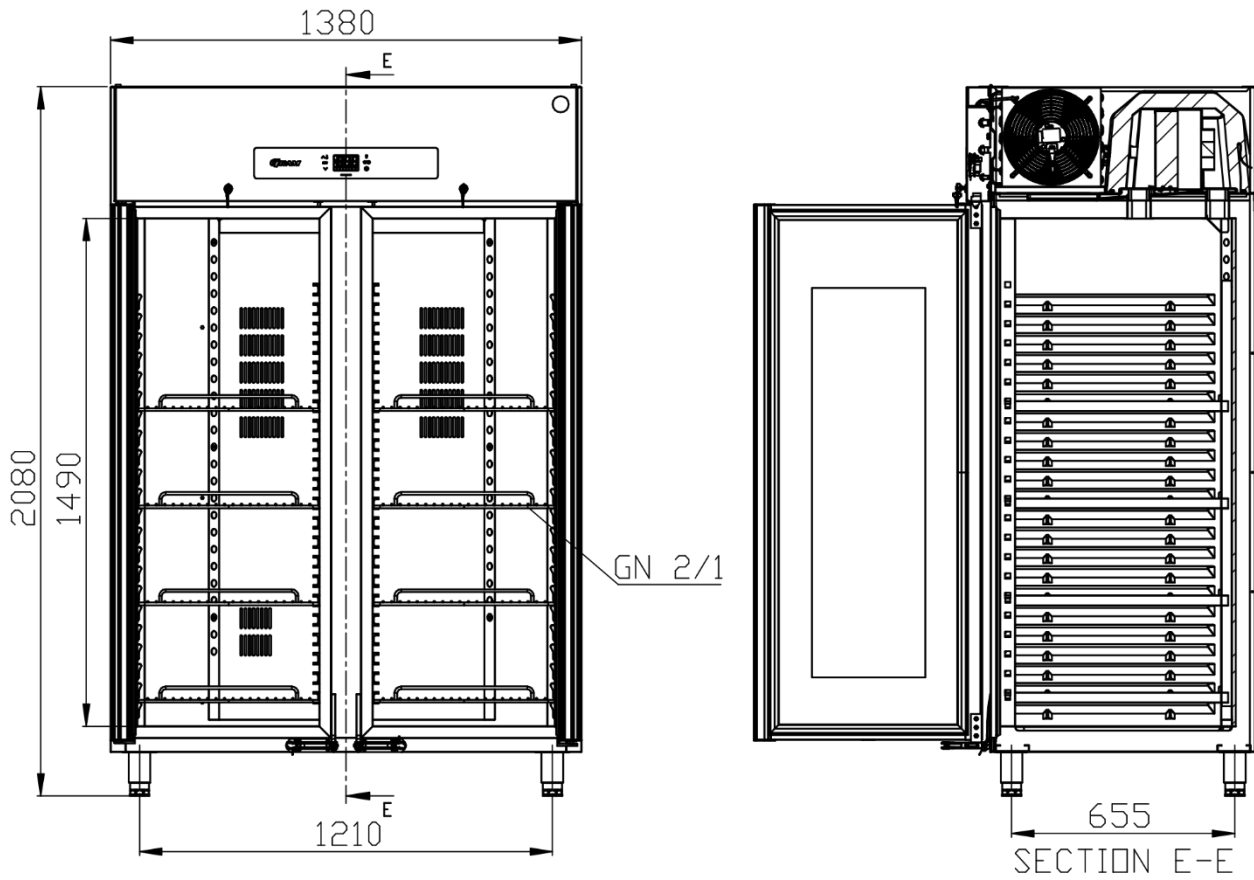


PREMIER F 140





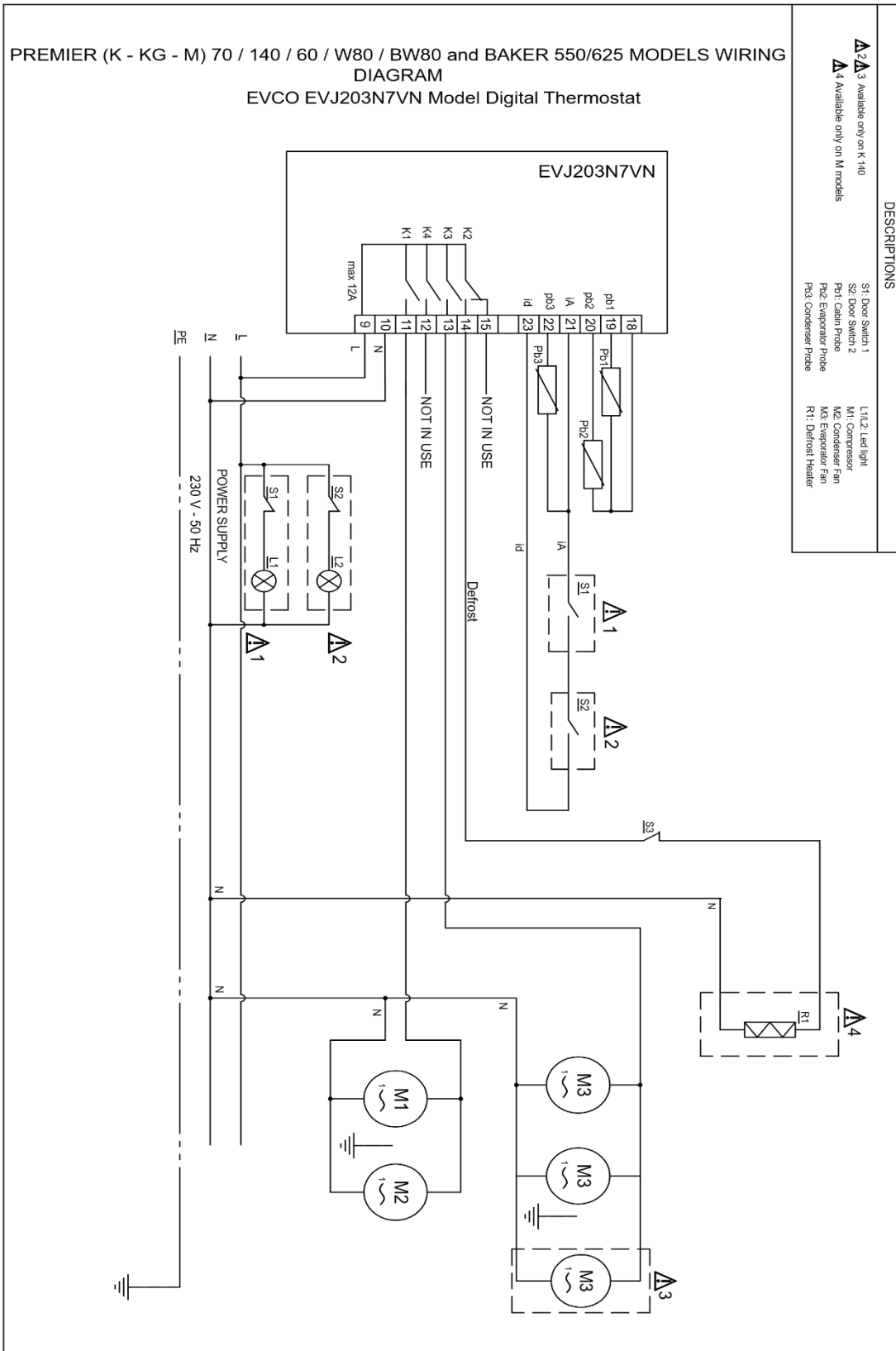
PREMIER KG 140





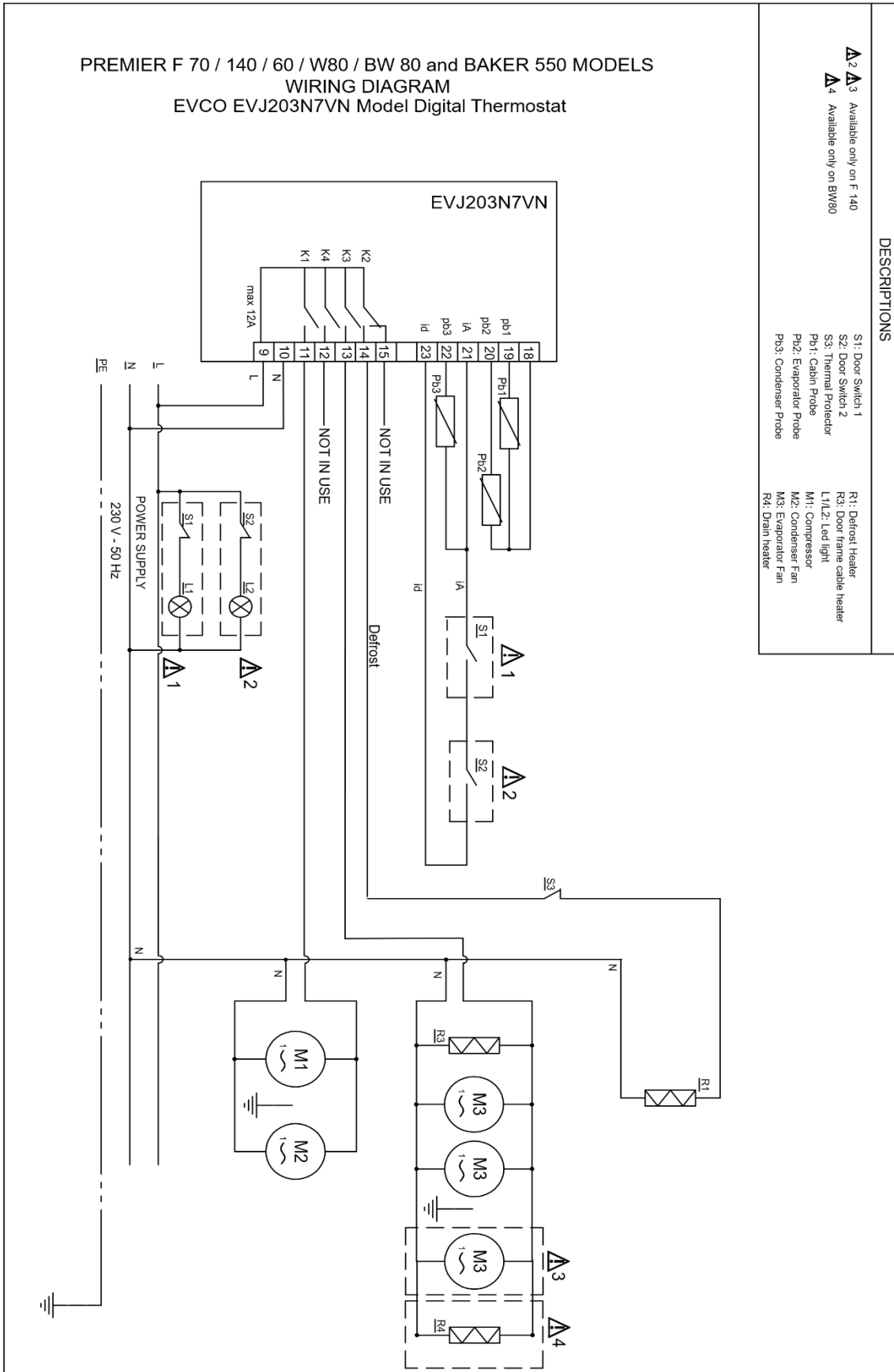
17) Wiring Diagram

ELECTRICAL WIRING DIAGRAM (FOR CABINET REFRIGERATOR MODELS)





ELECTRICAL WIRING DIAGRAM (FOR CABINET FREEZER MODELS)



DESCRIPTIONS

- △2, △3 Available only on F 140
- △4 Available only on BW80
- S1: Door Switch 1
- S2: Door Switch 2
- S3: Thermal Protector
- Pp1: Cabin Probe
- Pp2: Evaporator Probe
- Pp3: Condenser Probe
- R1: Defrost Heater
- R3: Door frame cable heater
- L1/L2: Led light
- M1: Compressor
- M2: Evaporator Fan
- M3: Evaporator Fan
- R4: Drain heater



18) Cooling Diagram

