

**HOSHIZAKI  
BAKER**



# **Parts list for BAKER M 625**



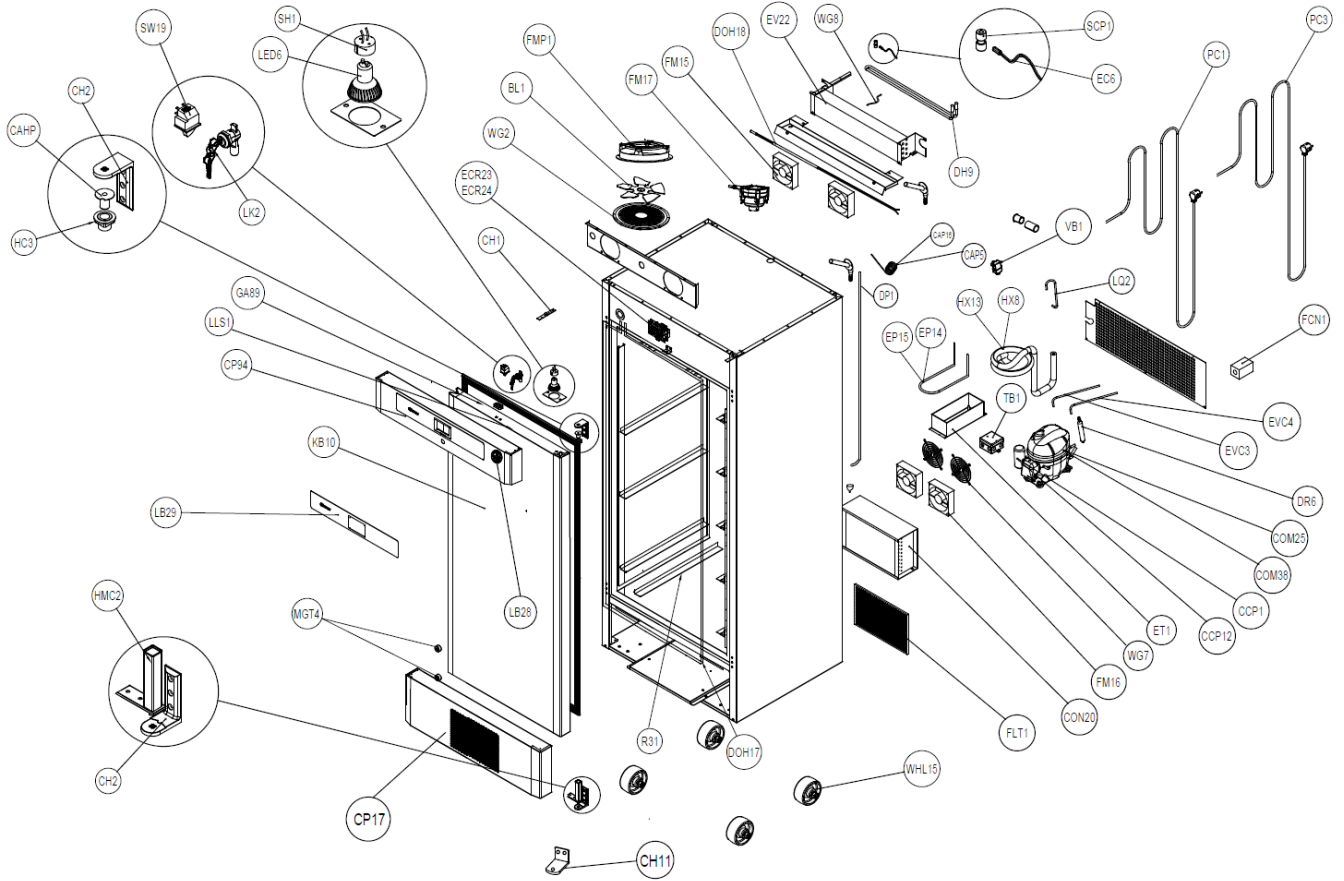
# HOSHIZAKI BAKER

**Description :**

## Parts list for BAKER M 625

Compiled.		Latest revision.			Deleted.	
Date	Name	Date	Name	Rev.no	Date	Name
11 <sup>th</sup> January, 2024	Y.P	19 <sup>th</sup> December, 2023	K. TEKE			

### Exploded view



# HOSHIZAKI BAKER

**Description :**

## Parts list for BAKER M 625

Compiled.		Latest revision.			Deleted.	
Date	Name	Date	Name	Rev.no	Date	Name
11 <sup>th</sup> January, 2024	Y.P	19 <sup>th</sup> December, 2023	K. TEKE			

PICTURE ID	DESCRIPTION	Hoshizaki item code
CAHP	CABINET HINGE PIN	760660031
CAP16	CAPILLARY 1,0*2,0	760660486
CCP12	RUN CAP. MKP CBB65 2,5 µF (EMD 32CLT)	760660297
CH1	CANOPY HINGE 245-061-061	760660218
CH11	BW80 CONDENSER VENTILATION HINGE	760660487
CH2	CABINET HINGE	760660078
COM38	COMPRESSOR EMBRACO EMD32CLT	760660303
CON20	CONDENSER 3R 11T (19.05x16,5 3/16") 300L 3,2h 2x120	760660305
CP17	BAKER 625 CONDENSER GROUP FRONT CLOSING SHEET	760660488
CP94	CONTROL PANEL WITH LABEL-CABINET BAKER 625	760660489
DP1	DRENAGE LINE PLASTIC	760660327
DH9	DEFROST HEATER U 22*8,5*581 MM 500W/230V	760660319
DR6	DRYER 20 GR DOUBLE INPUT 6,2/6,2-2,3 MM	760660330
EC6	DIGITAL SENSOR EVCO NTC PROP EVTPN615F200	760660054
ECR23	PREPROGRAMMED CONTROLLER DIGITAL EVCO EVJ203N7VNXRXX1 REFRIGERATOR BAKER M 625	760660490
EP14	RE-EVAPORATION PIPE 3/16" (BW80 K-KG-M & BAKER M 625)	760660603
ET1	PVC DRAIN PAN	760660087
EV22	EVAPORATOR 3R 4T (25x21,65 3/8") 510 L 4,8h 1NC 1BB	760660604
EVC3	SERVICE PIPE 03	760660366
EVC4	SERVICE PIPE 04	760660367
FCN1	SNAP FERRITE CORE CABLE DIAMETER 8	760660268
FLT1	FILTER 6*212*355	760660369
FM15	SUNON CF4113LBL-000U-ABD	760660370
FM16	SUNON CF4113HBL-000U-ABD	760660371
GA89	MAGNETIC SEAL GRAY 1461*726	760660377
HC3	CABINET HINGE PVC BUSHING	760660032
HMC2	SPRING FORCED HINGE FOR CABINET DOORS	760660090
HX8	HEAT EXCHANGER 08 (BW80 K-KG-M & BAKER M 625)	760660389
KB10	SOLID DOOR ASSEMBLY (BAKER 625)	760660493
LB28	HOSHIZAKI PENGUEN LABEL	760660400
LB29	BLACK JUMBO DIJITAL LABEL	760660401
LED6	SPOTLIGHT LED 3,2 - 4,7 W PHILIPS ESSENTIAL 6500K	760660596
LK2	DOOR LOCK	760660127
LLS1	LOCK LIP STRIKE	760660231
LQ2	LIQUID PIPE LINE 02	760660406
MGT4	MAGNET D18*D6*10MM N35_NICUNI NEODYMIUM	760660462
PC1	POWER CORD 3 x 1,5 M HO5VV-F	760660236
PC3	POWER CORD 3 x 1,5 M WITH BRITISH PLUG	760660257
R31	BAKER 625 MODEL RAIL	760660495
SCP1	DIGITAL SENSOR COVER PART	760660233
SH1	CABLE GROUP FOR LIGHT SOCKET	760660234
SW19	REFRIGERATOR DOOR SWITCH ARCO 250VAC ( H3141AAKAA )	760660507
WG7	FAN GUARD WIRE 12 CM FOR SQUARE FAN	760660422
WG8	CLIP FOR EVAPORATOR HEATER	760660458
WHL15	CASTOR 64x30 PPB 36-103 POLIAMID 6 NATUREL	760660423