

**HOSHIZAKI
BAKER**



Parts list for BAKER F 625



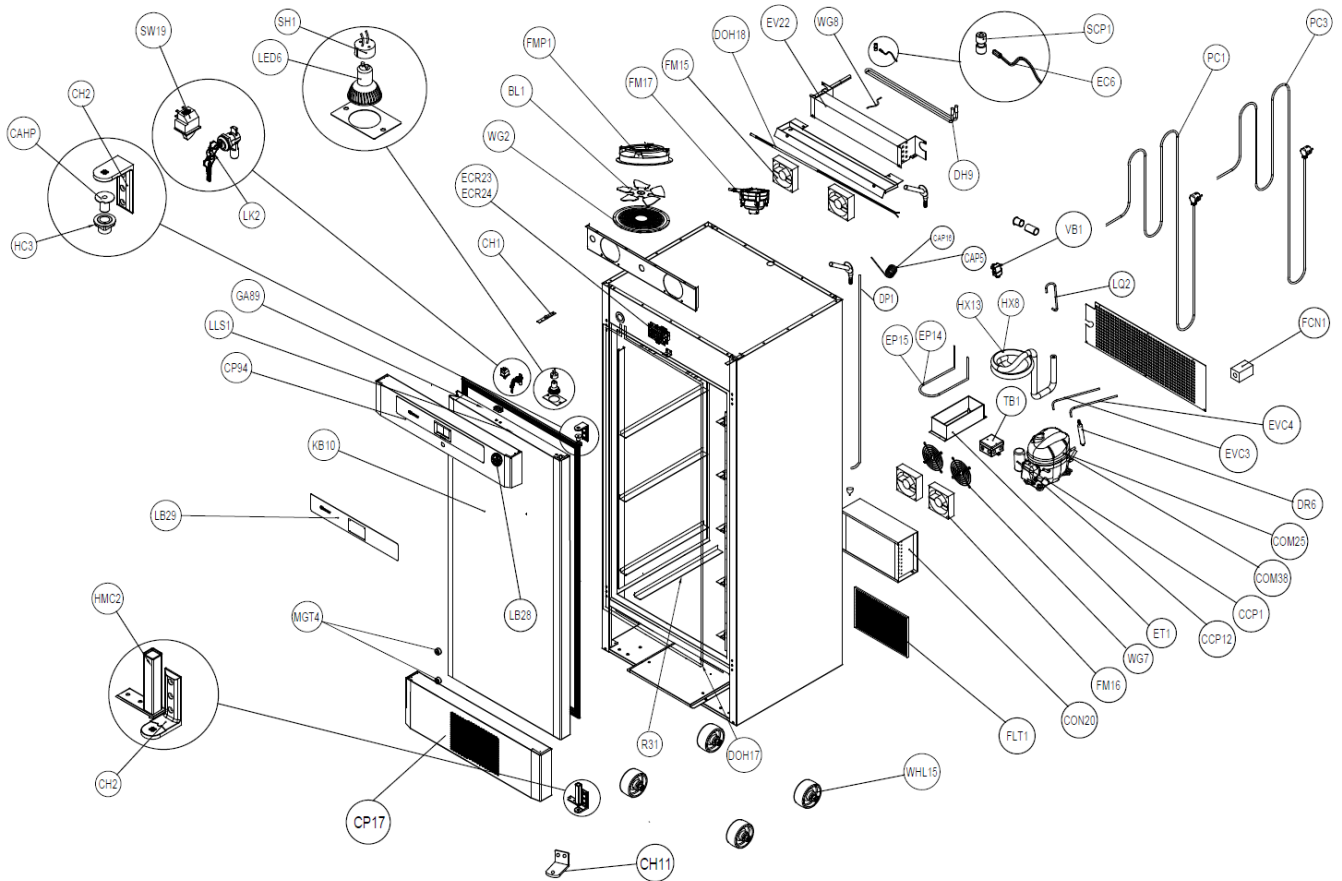
HOSHIZAKI BAKER

Description :

Parts list for BAKER F 625

Compiled.		Latest revision.			Deleted.	
Date	Name	Date	Name	Rev.no	Date	Name
11 th January, 2024	Y.P	19 th December, 2023	K. TEKE			

Exploded view



HOSHIZAKI BAKER

Description :

Parts list for BAKER F 625

Compiled.		Latest revision.			Deleted.	
Date	Name	Date	Name	Rev.no	Date	Name
11 th January, 2024	Y.P	19 th December, 2023	K. TEKE			

PICTURE ID	DESCRIPTION	Hoshizaki item code
BL1	CONDENSER FAN BLADE IMPELLER ALU. Q20 CM-28°	760660079
CAHP	CABINET HINGE PIN	760660031
CAP5	CAPILLARY 1,0*2,80	760660150
CCP1	START CAPACITOR 64-77 MFD 330V (NEU 2155 U)	760660276
CH1	CANOPY HINGE 245-061-061	760660218
CH11	BW80 CONDENSER VENTILATION HINGE	760660487
CH2	CABINET HINGE	760660078
COM25	COMPRESSOR R-290 EMBRACO NEU 2155 U	760660219
CON20	CONDENSER 3R 11T (19.05x16,5 3/16") 300L 3,2h 2x120	760660305
CP17	BAKER 625 CONDENSER GROUP FRONT CLOSING SHEET	760660488
CP94	CONTROL PANEL WITH LABEL-CABINET BAKER 625	760660489
DP1	DRENAGE LINE PLASTIC	760660327
DH9	DEFROST HEATER U 22*8,5*581MM 500W/230V	760660319
DOH17	HEATING CABLE PVC - 230V - 20W LENGHT INC. COLDZONE 4630 MM TERMINATION	760660323
DOH18	DRAIN LINE HEATER 230V 12W 1700 MM	760660324
DR6	DRYER 20 GR DOUBLE INPUT 6,2/6,2-2,3 MM	760660330
EC6	DIGITAL SENSOR EVCO NTC PROP EVTPN615F200	760660054
ECR24	PREPROGRAMMED CONTROLLER DIGITAL EVCO EVJ203N7VNXX1 FREEZER BAKER F 625	760660496
EP15	RE-EVAPORATION PIPE 6 MM (PREMIER F BW80 & BAKER F 625)	760660607
ET1	PVC DRAIN PAN	760660087
EV22	EVAPORATOR 3R 4T (25x21,65 3/8") 510 L 4,8h 1NC 1BB	760660362
EVC3	SERVICE PIPE 03	760660366
EVC4	SERVICE PIPE 04	760660367
FCN1	SNAP FERRITE CORE CABLE DIAMETER 8	760660268
FLT1	FILTER 6*212*355	760660369
FM16	SUNON CF4113HBL-000U-ABD	760660371
FM17	ELCO ECM HBR 12-10-2	760660275
FMP1	FAN SUPPORT PLASTIC Q20	760660077
GA89	MAGNETIC SEAL GRAY 1461*726	760660377
HC3	CABINET HINGE PVC BUSHING	760660032
HMC2	SPRING FORCED HINGE FOR CABINET DOORS	760660090
HX13	HEAT EXCHANGER 13 (BAKER F 625)	760660498
KB10	SOLID DOOR ASSEMBLY (BAKER 625)	760660477
LB28	HOSHIZAKI PENGUEN LABEL	760660400
LB29	BLACK JUMBO DIJITAL LABEL	760660401
LED6	SPOTLIGHT LED 3,2W PHILIPS ESSENTIAL 6500K	760660596
LK2	DOOR LOCK	760660127
LLS1	LOCK LIP STRIKE	760660231
MGT4	MAGNET D18*D6*10MM N35_NICUNI NEODYMIUM	760660462
PC1	POWER CORD LENGTH 3M 3x1,5 HO5VV-F	760660236
PC3	POWER CORD WITH BRITISH PLUG	760660257
R31	BAKER 625 MODEL RAIL	760660495
SCP1	DIGITAL SENSOR COVER PART	760660233
SH1	CABLE GROUP FOR LIGHT SOCKET	760660234
SW19	REFRIGERATOR DOOR SWITCH ARCO 250VAC (H3141AAKAA)	760660507
TB1	TERMINAL BOX 75x75x50	760660267
VB1	PLASTIC VACUUM BREAKER	765081206
WG2	FAN GUARD Q20 PLASTIC	760660068
WG7	FAN GUARD WIRE 12 CM FOR SQUARE FAN	760660422
WG8	CLIP FOR EVAPORATOR HEATER	760660458
WHL15	CASTOR 64x30 PPB 36-103 POLIAMID 6 NATUREL	760660423

**HOSHIZAKI
BAKER**

Description :

Parts list for BAKER F 625

Compiled.		Latest revision.			Deleted.	
Date	Name	Date	Name	Rev.no	Date	Name
11 th January, 2024	Y.P	19 th December, 2023	K. TEKE			