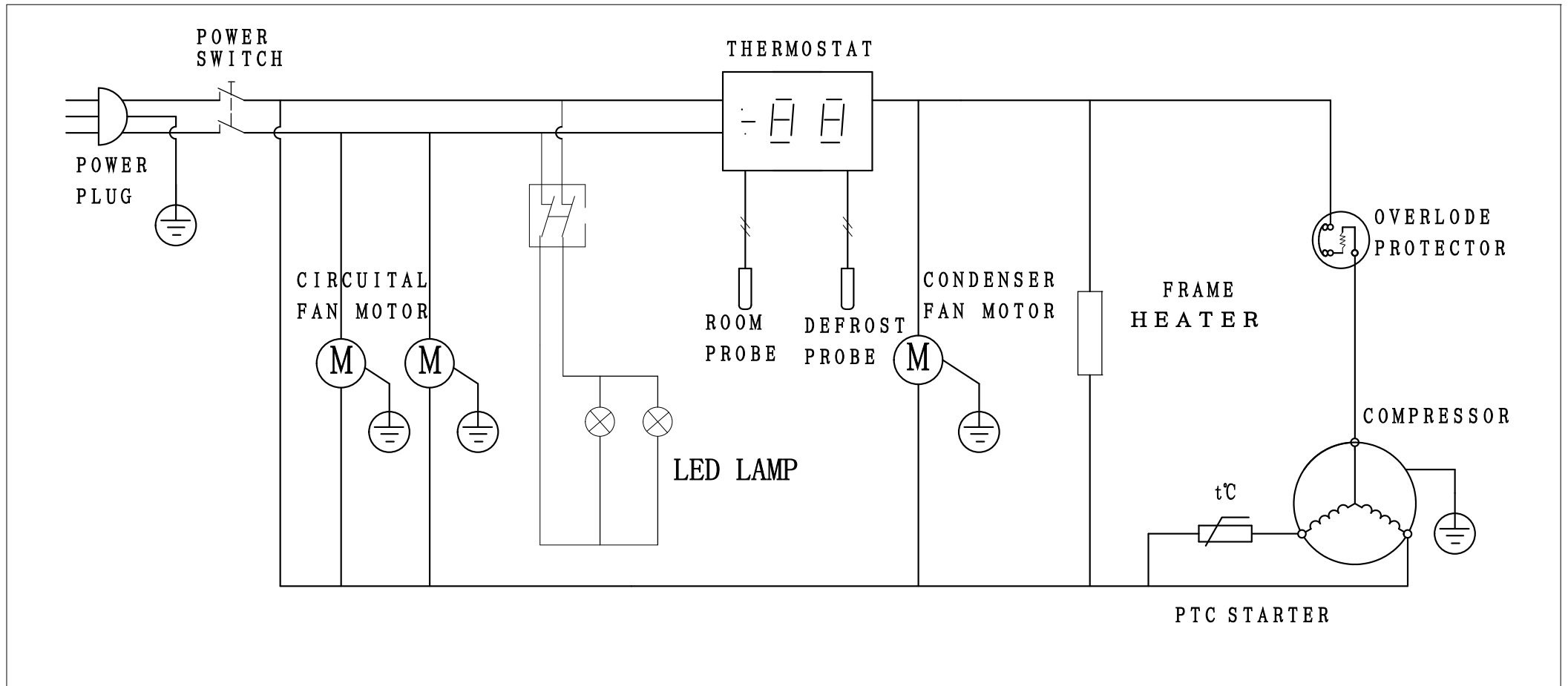


CIRCUIT DIAGRAM



G-BC2100--4100 G-BC2100G--4100G