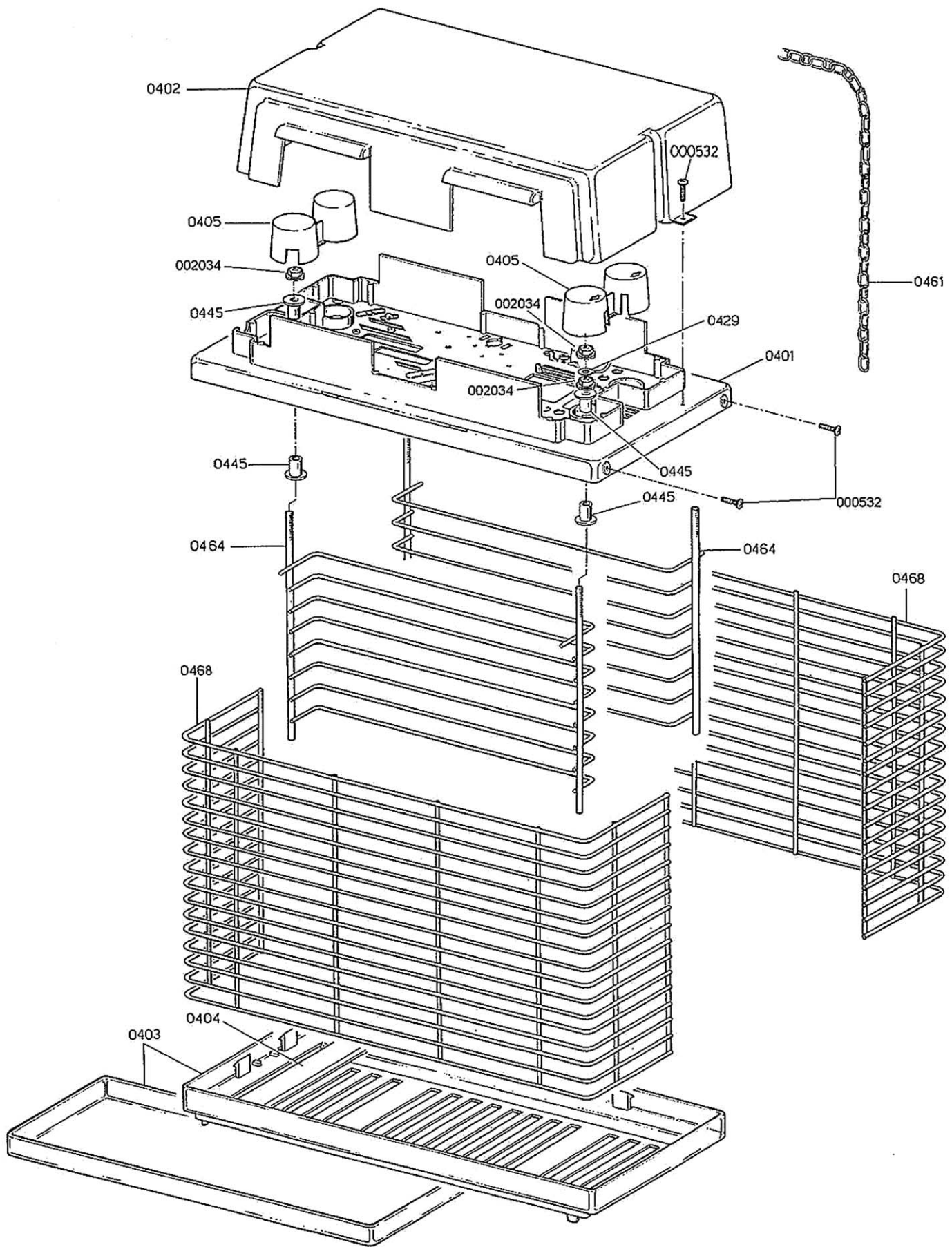


ART. 304-309

Professional electro-insecticide "CRI-CRI" •  
Électrodésinsectiseur professionnel "CRI-CRI" •

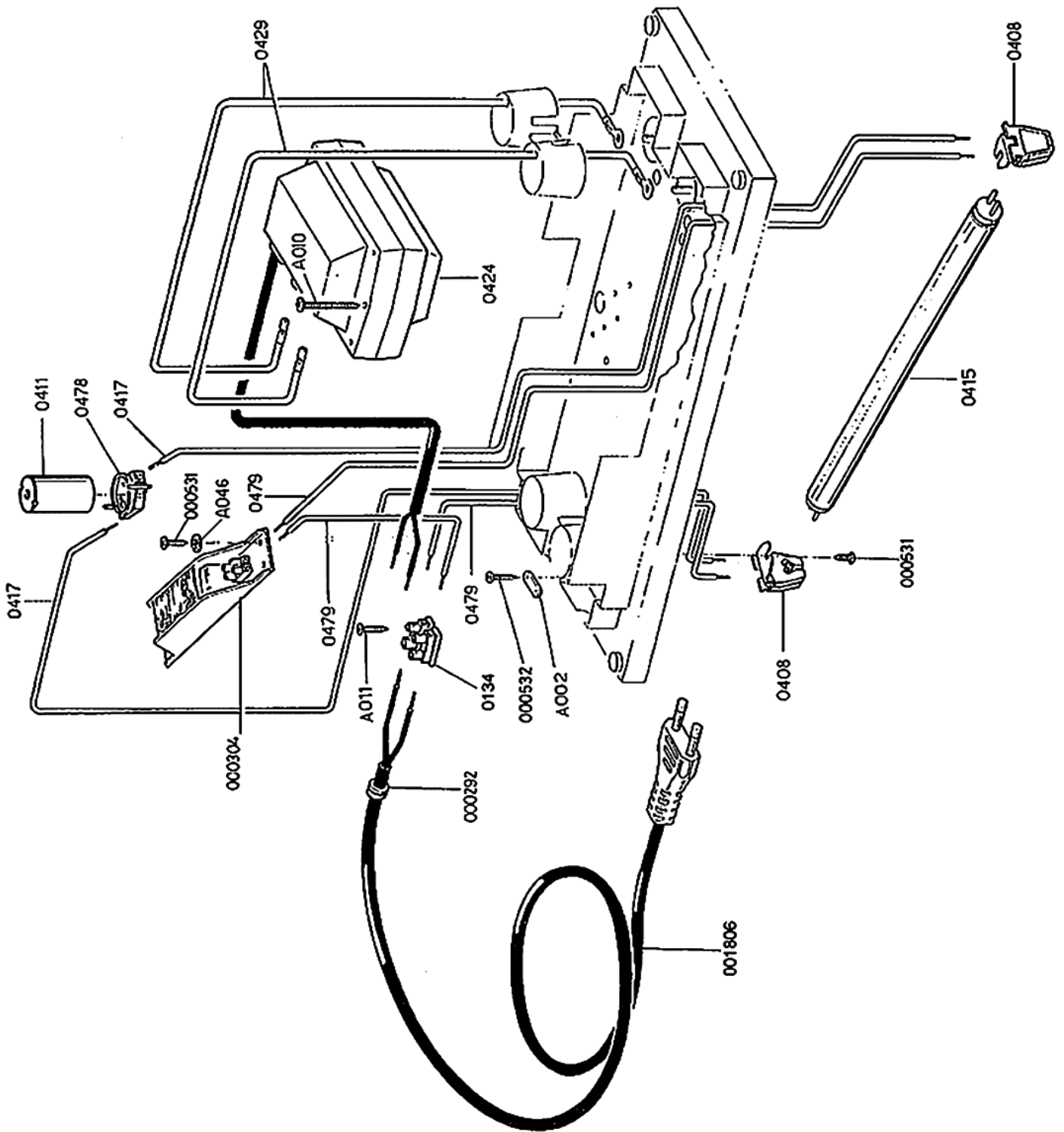
| PART.NUM. | DESCRIPTION                    | DESCRIPTION                   |
|-----------|--------------------------------|-------------------------------|
| 0401      | PLC light grey panel           | Planche gris clair PLC        |
| 0402      | PLC light grey cover           | Couvercle gris clair PLC      |
| 0403      | Light grey bottom + drawer PLC | Fond + tiroir PLC gris clair  |
| 0404      | PLC protection                 | Protection PLC                |
| 0405      | PLC covers set                 | Serie de capuchons PLC        |
| 0445      | Insulating bush                | Douille isolante              |
| 0461      | 60 cm chain                    | Chaine 60 cm                  |
| 0464      | 8 wire internal grid           | Grille intérieure 8 fils      |
| 0468      | PLC black external grid        | Grille extérieure blanche PLC |
| 000532    | 3.5 x 13 self-tapping screw    | Vis autotaradeuse 3,5 x 13    |
| 002034    | 6 MA nut                       | Écrou 6MA avec rondelle       |



# ART. 304

Professional electro-insecticide 1x15W "CRI-CRI" •  
Électrodésinsectiseur professionnel 1x15W "CRI-CRI" •

| PART.NUM. | DESCRIPTION                      | DESCRIPTION                           |
|-----------|----------------------------------|---------------------------------------|
| 000292    | Ø7 (white) strain relief         | Protection de caoutchouc Ø7 (blanche) |
| 000304    | 15W 230V/50Hz ballast            | Réacteur 15W 230V/50Hz                |
| 000531    | 3.5 x 10 self-tapping screw      | Vis autotaradeuse 3,5 x 10            |
| 000532    | 3.5 x 13 self-tapping screw      | Vis autotaradeuse 3,5 x 13            |
| 001806    | 2 x 0.75 - 1.5 cord Italian plug | Câble 2 x 0,75 - 1,5m fiche Italie    |
| 0134      | PA 27/2 WP junction box          | Bornier PA 27/2 WP                    |
| 0408      | Lamp holder                      | Porte-lampe                           |
| 0411      | Philips S10 starter              | Starter S10 Philips                   |
| 0415      | TL 15W lamp                      | Lampe TL 15W                          |
| 0417      | 20 cm rigid wire                 | Câble rigide 20 cm                    |
| 0424      | 230V/50Hz transformer            | Transformateur 230V/50Hz              |
| 0429      | High tension wire                | Câble haute tension                   |
| 0478      | Starter holder                   | Porte-starter                         |
| 0479      | 20 cm rigid wire                 | Câble rigide 20 cm                    |
| A002      | Cable block                      | Pince-câble                           |
| A010      | 3.5 x 45 self-tapping screw      | Vis autotaradeuse 3,5 x 45            |
| A011      | 3.5 x 16 self-tapping screw      | Vis autotaradeuse 3,5 x 16            |
| A046      | Ø4 tab washer                    | Rondelle dentelée Ø4                  |

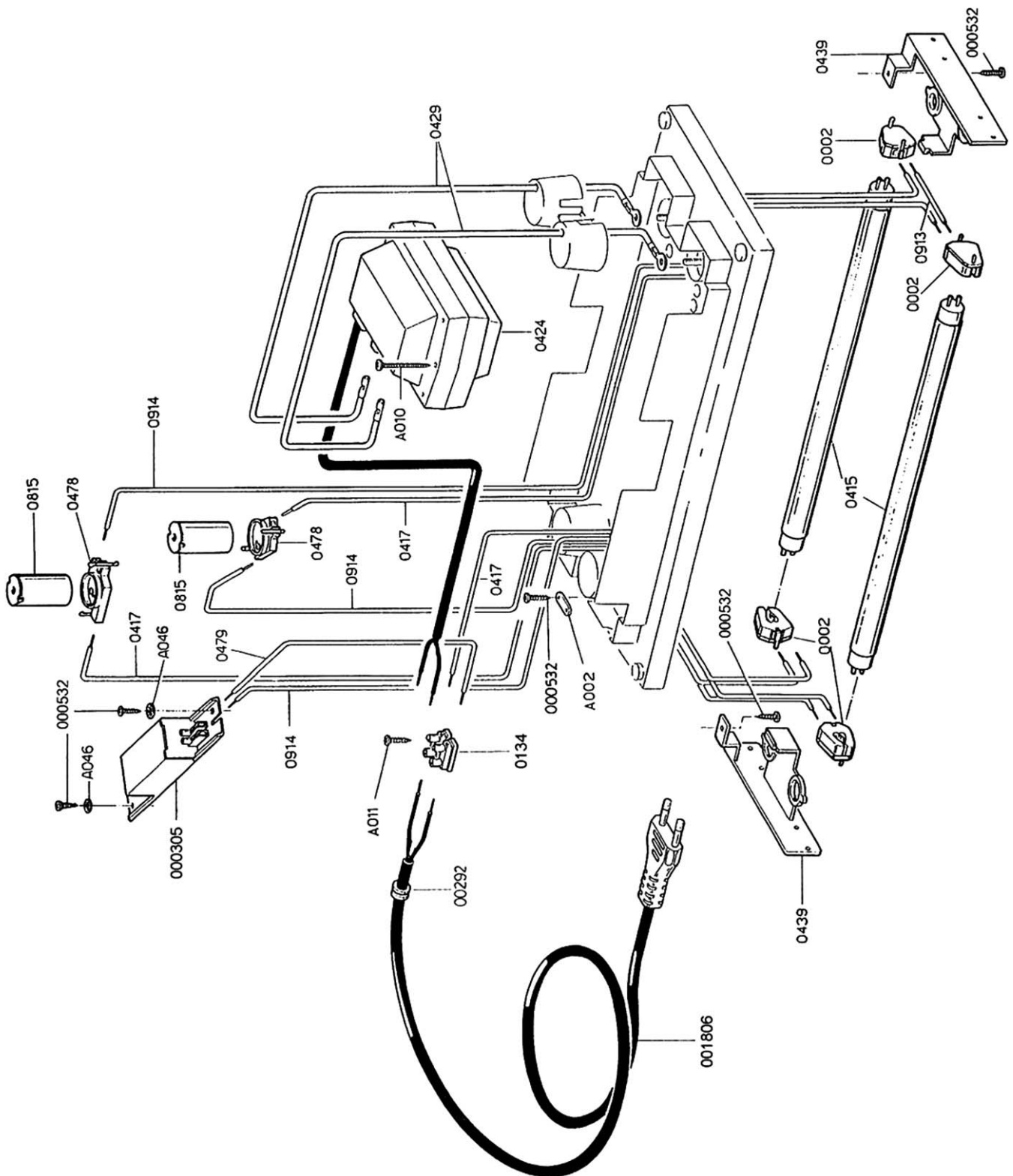


Art. 304

# ART. 309

Professional electro-insecticide 2x15W "CRI-CRI" •  
Électrodésinsectiseur professionnel 2x15W "CRI-CRI" •

| PART.NUM. | DESCRIPTION                      | DESCRIPTION                           |
|-----------|----------------------------------|---------------------------------------|
| 0002      | 09205 lamp holder                | Porte-lampe 09205                     |
| 000292    | Ø7 (white) strain relief         | Protection de caoutchouc Ø7 (blanche) |
| 000305    | 30W 230V150Hz ballast            | Réacteur 30W 230V/50Hz                |
| 000532    | 3,5 x 13 self-tapping screw      | Vis autotaradeuse 3,5 x 13            |
| 001806    | 2 x 0,75 x 1,5 cord Italian plug | Câble 2 x 0,75 x 1,5 fiche Italie     |
| 0134      | PA 27/2 WP junction box          | Bornier PA 27/2 WP                    |
| 0415      | TL 15W lamp                      | Lampe TL 15W                          |
| 0417      | 20 cm rigid wire                 | Câble rigide 20 cm                    |
| 0424      | 230V/50Hz transformer            | Transformateur 230V/50 Hz             |
| 0429      | High tension wire                | Câble haute tension                   |
| 0439      | 28W lamp socket holder           | Douille porte-lampe 28W               |
| 0478      | Starter holder                   | Porte-starter                         |
| 0479      | 16 - cm rigid wire               | Câble rigide 16 cm                    |
| 0815      | PHILIPS S2 starter               | Starter S2 PHILIPS                    |
| 0913      | 11 cm rigid wire                 | Câble rigide 11 cm                    |
| 0914      | 24 cm rigid wire                 | Câble rigide 24 cm                    |
| A002      | Cable bloc                       | Pince-câble                           |
| A010      | 3.5 x 45 self-tapping screw      | Vis autotaradeuse 3,5 x 45            |
| A011      | 3,5 x 16 self-tapping screw      | Vis autotaradeuse 3,5 x 16            |
| A046      | Ø4 tab washer                    | Rondelle dentelée Ø4                  |



Art. 309