

No.	F037-3204
ISSUED:	Apr. 7, 2009
REVISED:	Jan. 23, 2015



HOSHIZAKI
MODULAR CRESCENT CUBER
MODEL KMD-201AA

PARTS LIST
(GENERAL)

U-1 APR. 2009
V-0 JAN. 2010
V-1 FEB. 2010
V-2 JUL. 2010
A-0 JAN. 2011
A-1 APR. 2011

AUXILIARY CODE

U - 1

The auxiliary code is the first two characters in the serial number. The first character indicates the production year. Years progress or regress in alphabetical order. The series of letters and skipped letters depend on UL listing, production, and model. See the auxiliary code(s) and corresponding year(s) on the front cover.

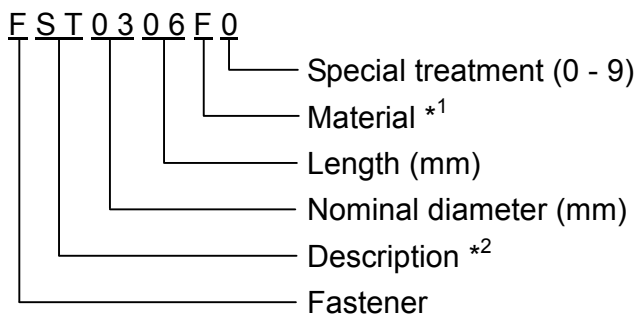
The second character indicates significant part changes within the same year. Base is "1" and this number advances for each change. If there is no significant part change at the turn of the year, this number starts from "0."

MARKS LOCATED UNDER THE AUXILIARY CODE

- = Part deleted.
- x = Part deleted and replaced by "o" part.
- o = New part in place of "x" part.

FASTENER PART NUMBER

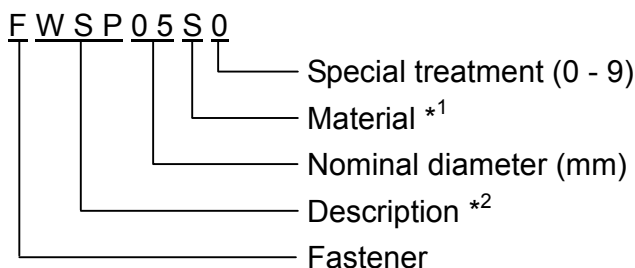
SCREWS



*¹ Material

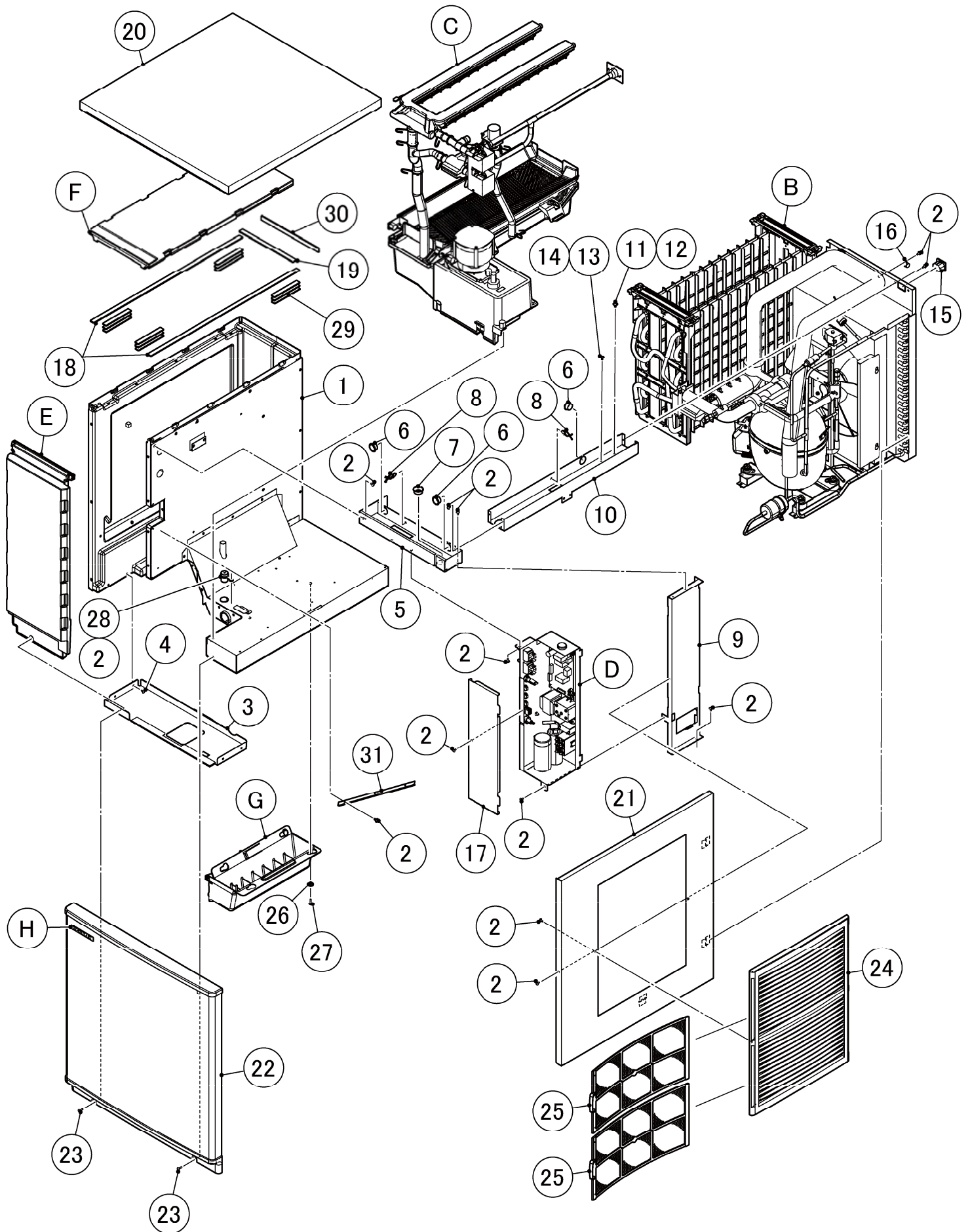
- F: Steel
- S: Austenitic stainless steel
- M: Martensitic stainless steel
- B: Copper alloy
- P: Polycarbonate
- N: Polyamide
- V: PVC
- A: ABS
- X: Polyacetal
- L: Aluminum

NUTS & WASHERS



*² Description

- First letter
- S: Machine screw
- T: Tapping screw
- M: Wood screw
- B: Bolt
- W: Washer
- N: Nut

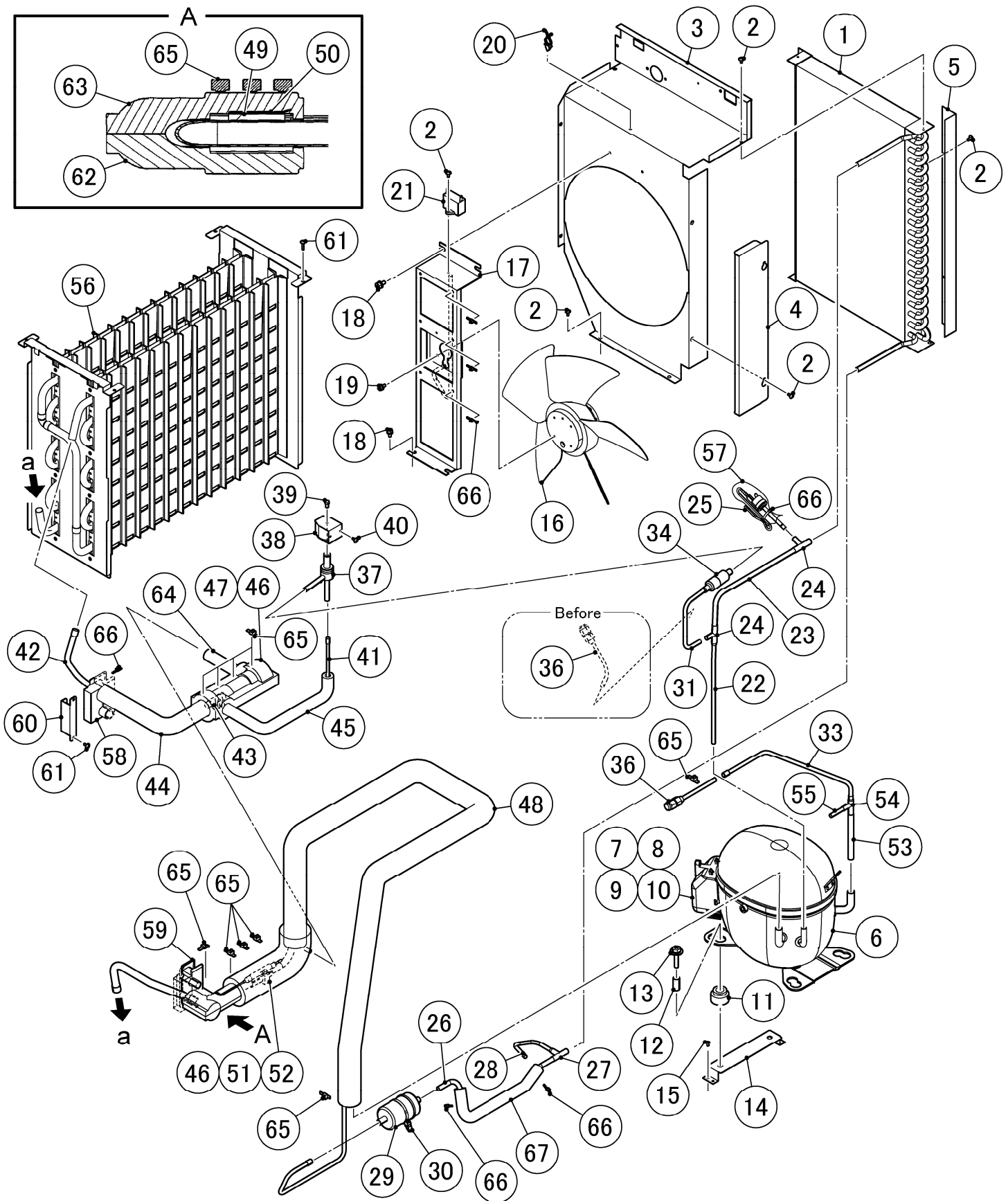


GENERAL

MODEL: KMD-201AA		TITLE: A. ICE CUBER ASSY					
INDEX NO.	DESCRIPTION	MATERIAL OR MODEL NUMBER	PART NUMBER	REQ'D NUMBER			
				U-1,V-0	V-1	V-2,A-0	A-1
B	REFRIGERATION CIRCUIT		119592A01	1	1	1	1
C	WATER CIRCUIT	50Hz	119593A01	1	1	1	1
		60Hz	119593A02	1	1	1	1
D	CONTROL BOX ASSY		255978A01	1	1	1	1
E	FRONT INSULATION ASSY		371887A01	1	1	1	1
F	TOP INSULATION ASSY		374537A01	1	1	1	1
G	BIN SWITCH		371886A01	1	1	1	1
H	LABEL LOCATION	50Hz	119594A01	1	1	1	1
		60Hz	119594A02	1	1	1	1
K	ACCESSORIES		A01661-01	1	1	1	1
1	EVAP. CASE		119110G01	1	1	1	1
2	T2 SCREW	4X8	FT20408F0	18	18	18	21
3	BOTTOM FRAME		371876M01	1	1	1	1
4	T2 SCREW	4X8 SUS	FT20408M0	4	4	4	4
5	TOP FRAME		371867M01	1	1	1	1
6	BUSHING	OCB-875	428394-04	3	3	3	3
7	BUSHING	OCB-750	428394-01	1	1	1	1
8	CLAMP	No.249	427902-03	2	2	3	3
9	SIDE FRAME (A)		371873M01	1	1	1	1
10	SIDE FRAME (B)		371866M01	1	1	1	1
11	SPRING WASHER	SUS 5	FWSP05S0	1	1	1	1
12	TRUSS HEAD SCREW	SUS 5X8	FST0508S0	1	1	1	1
13	SPRING WASHER	SUS 4	FWSP04S0	1	1	1	1
14	TRUSS HEAD SCREW	SUS 4X8	FST0408S0	1	1	1	1
15	CONNECTOR		P02656-01	1	1	1	1
16	CLAMP	NK-6N	418814-06	1	1	1	1
17	CONT. BOX COVER		371874M01	1	1	1	1
18	GASKET	L=563	119591Z01	2	2	2	2
19	GASKET	L=203	119591Z02	1	1	1	1

GENERAL

MODEL: KMD-201AA		TITLE: A. ICE CUBER ASSY					
INDEX NO.	DESCRIPTION	MATERIAL OR MODEL NUMBER	PART NUMBER	REQ'D NUMBER			
				U-1,V-0	V-1	V-2,A-0	A-1
20	TOP PANEL		255967M01	1	1	1	1
21	SIDE PANEL (R)		255966G01	1	1	1	1
22	FRONT PANEL		255965G01	1	1	1	1
23	TRUSS HEAD SCREW	4X12 SUS	FST0412S0	2	2	2	2
24	LOUVER		120457P01	1	1	1	1
25	AIR FILTER		258589G01	2	2	2	2
26	COLLAR		435269-01	4	4	4	4
27	T2 SCREW	4X16 SUS	FT20416M0	4	4	4	4
28	HOLE PLUG		373078R01	1	1	1	1
29	GASKET	L=50	119591Z03	12	12	12	12
30	GASKET	L=215	119591Z04	1	1	1	1
31	PLATE - SIDE PANEL		379577M01				1



GENERAL

MODEL: KMD-201AA		TITLE: B. REFRIGERATION CIRCUIT					
INDEX NO.	DESCRIPTION	MATERIAL OR MODEL NUMBER	PART NUMBER	REQ'D NUMBER			
				U-1,V-0	V-1	V-2,A-0	A-1
1	CONDENSER		P00815-01	1	1	1	1
2	T2 SCREW	4X8	FT20408F0	16	16	16	16
3	SHROUD		255968M01	1	1	1	1
4	FAN BLADE COVER		371865M01	1	1	1	1
5	BARRIER		371872M01	1	1	1	1
6	COMPRESSOR	NT6217GK	P00835-01	1	1	1	1
7	TERMINAL COVER		P02814-01	1	1	1	1
8	PROTECTOR	T0817/G9	P00838-01	1	1	1	1
9	PROTECTOR RETAINER		P02815-01	1	1	1	1
10	SCREW		P00840-01	1	1	1	1
11	GROMMET		P00846-01	4	4	4	4
12	SPACER		P00847-01	4	4	4	4
13	BOLT	M8X35	436206-03	4	4	4	4
14	COMP. MOUNT		371868G01	2	2	2	2
15	POP RIVET	SSD43SSBS	7170-0005	8	8	8	8
16	FAN MOTOR	A4E300-AE20-06	P00848-01	1	1	1	1
17	FAN MOTOR BRACKET		371870G01	1	1	1	1
18	HEX HEAD BOLT W/WASHER [SW]	5X10 SUS	FBK0510S0	4	4	4	4
19	HEX HEAD BOLT W/WASHER [SW]	4X8 SUS	FBK0408S0	3	3	3	3
20	CLAMP	No. 249	427902-03	1	1	1	1
21	CAPACITOR	CMPS40B155UWF	P00849-01	1	1	1	1
22	COPPER TUBE (A1) - HIGH SIDE	COPPER TUBE (A) - HIGH SIDE 371884G01	371884M01	1	1	1	1
23	COPPER TUBE (A2) - HIGH SIDE	COPPER TUBE (A) - HIGH SIDE 371884G01	371884M02	1	1	1	1
24	TEE	COPPER TUBE (A) - HIGH SIDE 371884G01	420041-02	2	2	2	2
25	PRESSURE SWITCH	ACB-1UB44	463180-04	1	1	1	1

GENERAL

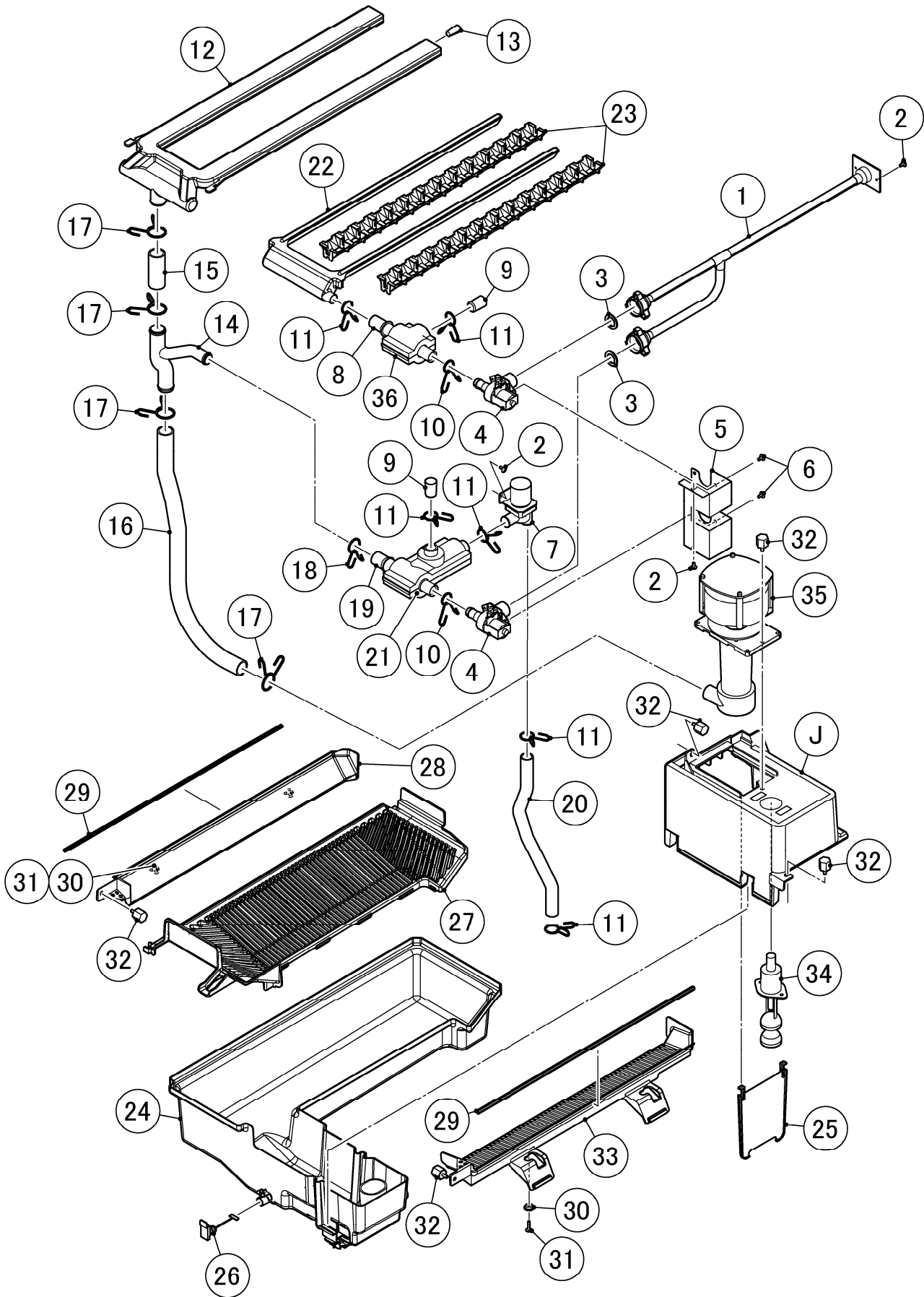
MODEL: KMD-201AA		TITLE: B. REFRIGERATION CIRCUIT					
INDEX NO.	DESCRIPTION	MATERIAL OR MODEL NUMBER	PART NUMBER	REQ'D NUMBER			
				U-1,V-0	V-1	V-2,A-0	A-1
26	COPPER TUBE (B1) - HIGH SIDE	COPPER TUBE (B) - HIGH SIDE 255971G01	255971M01	1	1	1	1
27	TEE	COPPER TUBE (B) - HIGH SIDE 255971G01	420041-11	1	1	1	1
28	COPPER TUBE (B2) - HIGH SIDE	COPPER TUBE (B) - HIGH SIDE 255971G01	255971M03	1	1	1	1
29	DRIER	DML032.5s	462965-01	1	1	1	-
		DML032S	P02070-01				1
30	PUSH MOUNT TIE	T50RSF	436156-02	1	1	1	1
31	COPPER TUBE (D1) - HIGH SIDE	COPPER TUBE (D) - HIGH SIDE 374039G02	374039M03	1	1	1	1
33	COPPER TUBE (F3) - ACCESS VALVE	COPPER TUBE (F) - ACCESS VALVE 371877G01	371877M04	1	1	1	1
34	STRAINER	COPPER TUBE (D) - HIGH SIDE 374039G02	P00812-01	1	1	1	1
36	ACCESS VALVE	TCJ-2F20NHDU-1	457729-01	2	2	2	1
37	VALVE BODY	ATS-B7SHDU-2	4A3978-01	1	1	1	1
38	COIL-VALVE	AMS-C23HD-2	P00810-01	1	1	1	1
39	BOLT	M4X8	P00811-01	1	1	1	1
40	TRUSS HEAD SCREW	4X8 SUS	FST0408S0	2	2	2	2
41	COPPER TUBE (E1) - HOT GAS	COPPER TUBE (E) - HOT GAS 371883G01	371878M01	1	1	1	1

GENERAL

MODEL: KMD-201AA		TITLE: B. REFRIGERATION CIRCUIT					
INDEX NO.	DESCRIPTION	MATERIAL OR MODEL NUMBER	PART NUMBER	REQ'D NUMBER			
				U-1,V-0	V-1	V-2,A-0	A-1
42	COPPER TUBE (E2) - HOT GAS	COPPER TUBE (E) - HOT GAS 371883G01	371880M01	1	1	1	1
43	TEE	COPPER TUBE (E) - HOT GAS 371883G01	420335-01	1	1	1	1
44	INSULATION TUBE	COPPER TUBE (E) - HOT GAS 371883G01 L=290	7762-1030	1	1	1	1
45	INSULATION TUBE	COPPER TUBE (E) - HOT GAS 371883G01 L=360	7762-1020	1	1	1	1
46	EXP. VALVE	HFE-10NHD-2	4A1414-01	1	1	1	1
47	EXPANSION VALVE COVER		3A0944-01	1	1	1	1
48	HEAT EXCHANGER		255974G01	1	1	1	1
49	THERMISTOR	NBFC-36-H60-1	P00027-01	1	1	1	1
50	HOLDER - THERMISTOR		427430-01	1	1	1	1
51	HOLDER / EXP. VALVE - 3/8		3A0107-01	1	1	1	1
52	CLAMP		443461-02	1	1	1	1
53	COPPER TUBE (F1) - ACCESS VALVE	COPPER TUBE (F) - ACCESS VALVE 371877G01	371877M01	1	1	1	1
54	TEE	COPPER TUBE (F) - ACCESS VALVE 371877G01	417394-01	1	1	1	1
55	COPPER TUBE (F2) - ACCESS VALVE	COPPER TUBE (F) - ACCESS VALVE 371877G01	371877M03	1	1	1	1
56	EVAPORATOR ASSY		257091G01	1	1	1	1
57	BAG		4X1559-01	1	1	1	1
58	RUBBER INSULATION (B)		3A1045-01	1	1	1	1
59	RUBBER INSULATION (A)		3A1044-01	1	1	1	1
60	INSULATION HOLDER		473043M01	1	1	1	1
61	T2 SCREW	4X8 SUS	FT20408M0	6	6	6	6
62	INSULATION - THERMISTOR (A)		439368-01	1	1	1	1
63	INSULATION - THERMISTOR (B)		439368-02	1	1	1	1

GENERAL

MODEL: KMD-201AA		TITLE: B. REFRIGERATION CIRCUIT					
INDEX NO.	DESCRIPTION	MATERIAL OR MODEL NUMBER	PART NUMBER	REQ'D NUMBER			
				U-1,V-0	V-1	V-2,A-0	A-1
64	INSULATION TUBE	L=90	7762-1020	1	1	1	1
65	TIE	CV-200	7920-0010	14	14	14	13
66	TIE	CV-100	7920-0002	7	7	7	7
67	INSULATION TUBE	L=245	7762-1020	1	1	1	1



GENERAL

MODEL: KMD-201AA		TITLE: C. WATER CIRCUIT ASSY					
INDEX NO.	DESCRIPTION	MATERIAL OR MODEL NUMBER	PART NUMBER	REQ'D NUMBER			
				U-1,V-0	V-1	V-2,A-0	A-1
J	PUMP BRACKET ASSY		371889A01	1	1	1	1
1	WATER SUPPLY PIPE		371882G01	1	1	1	1
2	T2 SCREW	4X8	FT20408F0	5	5	5	5
3	RUBBER GASKET		413854-03	2	2	2	2
4	WATER VALVE	V19 4L/min	P00806-01	2	2	2	2
5	WATER VALVE BRACKET		371875G01	1	1	1	1
6	TRUSS HEAD SCREW	4X8 SUS	FST0408S0	4	4	4	4
7	SOLENOID VALVE	FDC-90-02-220	P00018-01	1	1	1	1
8	TEE		371167R01	1	1	1	1
9	PLUG		472567P01	2	2	2	2
10	HOSE CLAMP	16.5mm SUS	P02909-04	2	2	2	2
11	HOSE CLAMP	18mm SUS	P02909-05	6	6	6	6
12	SPRAY TUBE		256969P01	1	1	1	1
13	PLUG		4A0176-01	2	2	2	2
14	CONNECTING PIPE		371162P02	1	1	1	1
15	SILICONE HOSE	φ20Xφ25(CLEAR)L=60	H12025060	1	1	1	1
16	SILICONE HOSE	φ20Xφ25(CLEAR)L=465	H12025465	1	1	1	1
17	HOSE CLAMP	25mm SUS	P02909-03	4	4	4	4
18	HOSE CLAMP	20mm SUS	P02909-06	1	1	1	1
19	BYPASS HOSE		371165R01	1	1	1	1
20	SILICONE HOSE	φ15Xφ19(CLEAR)L=340	H11519340	1	1	1	1
21	BYPASS INSULATION		371169Z01	1	1	1	1
22	WATER SUPPLY TUBE		256968P01	1	1	1	1
23	SPRAY GUIDE		252052P03	2	2	2	2
24	TANK		255326G02	1	1	1	1
25	PARTITION PLATE		371160P01	1	1	1	1
26	DRAIN CAP		371168G01	1	1	1	1

GENERAL

MODEL: KMD-201AA		TITLE: C. WATER CIRCUIT ASSY					
INDEX NO.	DESCRIPTION	MATERIAL OR MODEL NUMBER	PART NUMBER	REQ'D NUMBER			
				U-1,V-0	V-1	V-2,A-0	A-1
27	CUBE GUIDE		118904P01	1	1	1	1
28	DEFLECTOR (L)		255250P01	1	1	1	1
29	GASKET		371166R01	2	2	2	2
30	COLLAR		435269-01	4	4	4	4
31	T2 SCREW	4X16 SUS	FT20416M0	4	4	4	4
32	THUMBSCREW		415949G12	5	5	5	5
33	DEFLECTOR (R)		255249P01	1	1	1	1
34	FLOAT SWITCH	OLV-29Z-2P2	P00816-01	1	1	1	1
35	PUMP MOTOR	PV-212AHZ1 50Hz	P00818-01	1	1	1	1
		PV-212BHZ1 60Hz	P01067-01	1	1	1	1
36	INLET INSULATION		373079Z01	1	1	1	1

