



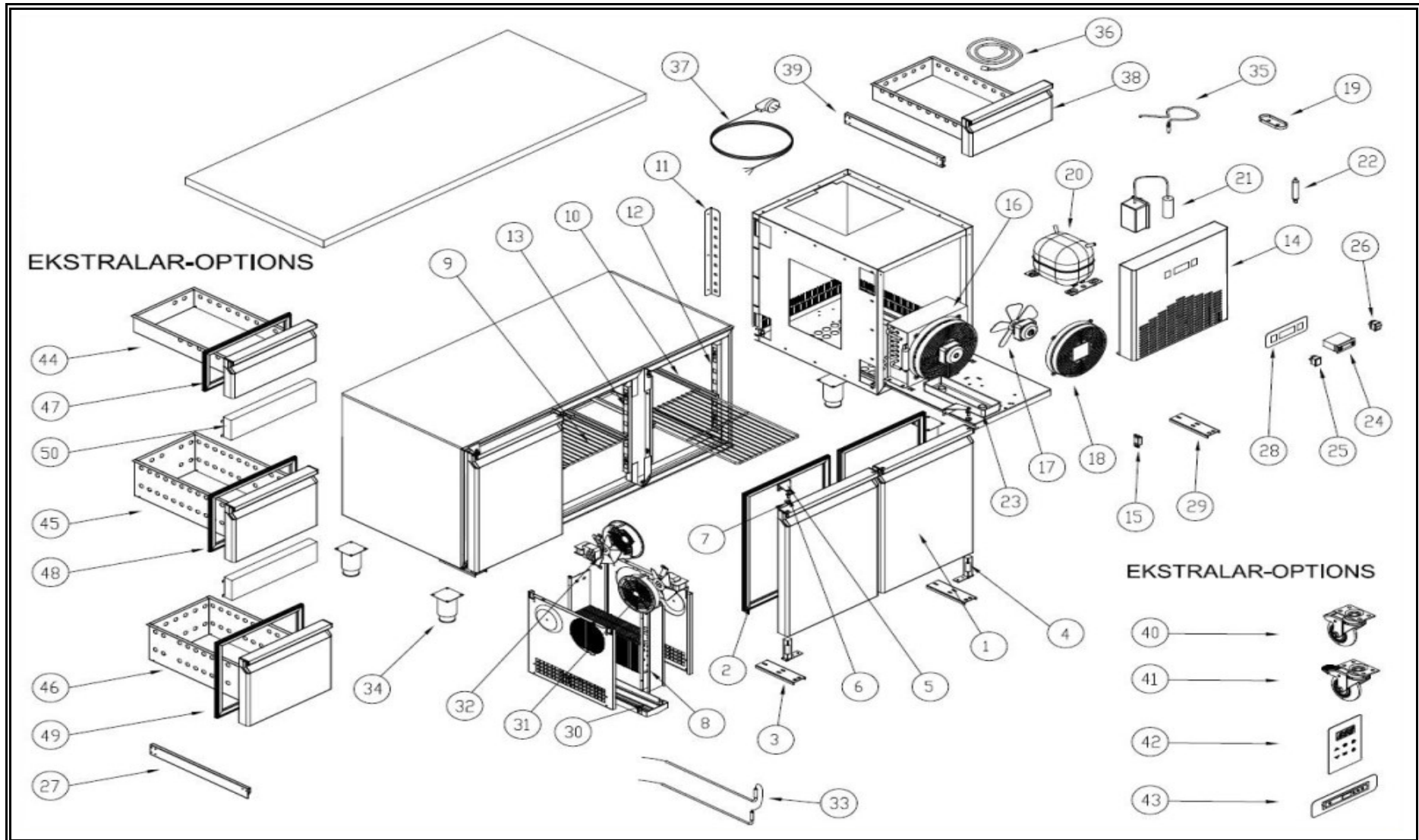
7489.5165

R290

Onderdelen informatie
Erzatsteil information
Spare part information
Information de pièces







| POS: | Art.No.: | Omschrijving: | Aantal: |
|------|-------------|--|---------|
| 1 | | GLASS DOOR | 3 |
| 2 | CS9113.0035 | DOOR GASKET | 3 |
| 3 | CS9113.1810 | LOVER HINGE BRACKET | 3 |
| 4 | CS9113.1260 | UPRIGHT HINGE AND PARTS | 3 |
| 5 | CS9113.2005 | UPPER HINGE | 3 |
| 6 | CS9113.1815 | UPPER HINGE PIN | 3 |
| 7 | CS9113.1820 | PLASTIC HINGE BUSHING | 3 |
| 8 | CS9113.0250 | EVAPORATOR | 1 |
| 9 | | SHELF-CGN 530X333 | 3 |
| 10 | | SHELF GUIDE - CGN 530m | 6 |
| 11 | | SHELF STANDARD - BACK | 4 |
| 12 | | SHELF STANDARD - SIDE | 4 |
| 13 | | SHELF STANDARD - MIDDLE | 4 |
| 14 | | CANOPY | 1 |
| 15 | | MAGNETIC HINGES | 2 |
| 16 | | 1/2 Hp CONDENSER | 1 |
| 17 | CS9113.1525 | 10W-FAN MOTOR | 1 |
| 18 | CS9113.0230 | CONDENSER FAN PLASTIC | 1 |
| 19 | | PROBE COVER | 1 |
| 20 | CS9113.2045 | COMPRESSOR-NEK 6181 U (1/4) | 1 |
| 21 | | RELAY BOX | 1 |
| 22 | | DRYER | 1 |
| 23 | CS9113.1080 | COMPRESSOR WATER PAN | 1 |
| 24a | CS9338.3550 | TWO PROPED DIGITAL THERMOSTAT (DIXELL) | 1 |
| 24b | | TWO PROPED DIGITAL THERMOSTAT (EVCO) | 1 |
| 24c | | MOTHERBOARD (DIXELL) | 1 |
| 24d | | MOTHERBOARD FRONT PANEL (DIXELL) | 1 |
| 24e | | MOTHERBOARD (ELIWELL) | 1 |
| 24f | | MOTHERBOARD FRONT PANEL (ELIWELL) | 1 |
| 24g | | WATER PROOF DIGITAL | 1 |
| 24h | | TOUCH CONTROL DIGITAL | 1 |
| 25 | CS9113.0675 | POWER SWITCH | 1 |
| 26 | CS9108.0254 | ON - OFF SWITCH | 1 |
| 27 | CS9113.0010 | DRAWER RAIL | 1 |
| 28 | CS9113.2300 | DIGITAL LABEL | 1 |
| 29 | | CANOPY HINGE | 1 |
| 30 | CS9113.1075 | EVAPORATOR WATER PAN | 1 |
| 31 | CS9113.0225 | PLASTIC FAN PROTECTION | 2 |
| 32 | CS9113.0310 | EVAP FAN MOTOR | 2 |
| 33 | CS9113.1045 | 200W RESISTANCE | 1 |
| 34 | CS9113.0610 | STAINLESS STEEL LEG | 5 |
| 35 | CS9181.2051 | PROBE | 1 |
| 36 | CS9390.2290 | PROBE | 1 |

| POS: | Art.No.: | Omschrijving: | Aantal: |
|------|-------------|--------------------------------|---------|
| 37 | | PLUG CABLE | 1 |
| 38 | | DRAWER MTG | 1 |
| 39 | CS9113.0010 | DRAWER RAIL | 1 |
| 40 | CS9113.0615 | WHEEL WITHOUT BRAKE | 3 |
| 41 | CS9113.0620 | WHEEL WITH BRAKE | 2 |
| 44 | | 1/3 DRAWERS | |
| 45 | CS9113.2332 | 1/2 DRAWERS | |
| 46 | | 2/3 DRAWERS | |
| 47 | CS9113.0030 | 1/3 DRAWERS GASKET | |
| 48 | CS9113.0040 | 1/2 DRAWERS GASKET | |
| 49 | CS9113.0050 | 2/3 DRAWERS GASKET | |
| 50 | CS9113.2010 | DRAWERS MIDDLE BRIDGE | |
| . | | COUNTER REF EVAP GROUP 3 DOORS | 1 |
| . | CS9113.1685 | COUNTER REF EVAPORATOR DOUBLE | 1 |