



TurboChef Parts Catalog

FOR TURBOCHEF OVENS

© 2010-2012 TurboChef Technologies, Inc.

Tornado

HhB

HhB 2

Söta/NGO

i3

i5

Encore

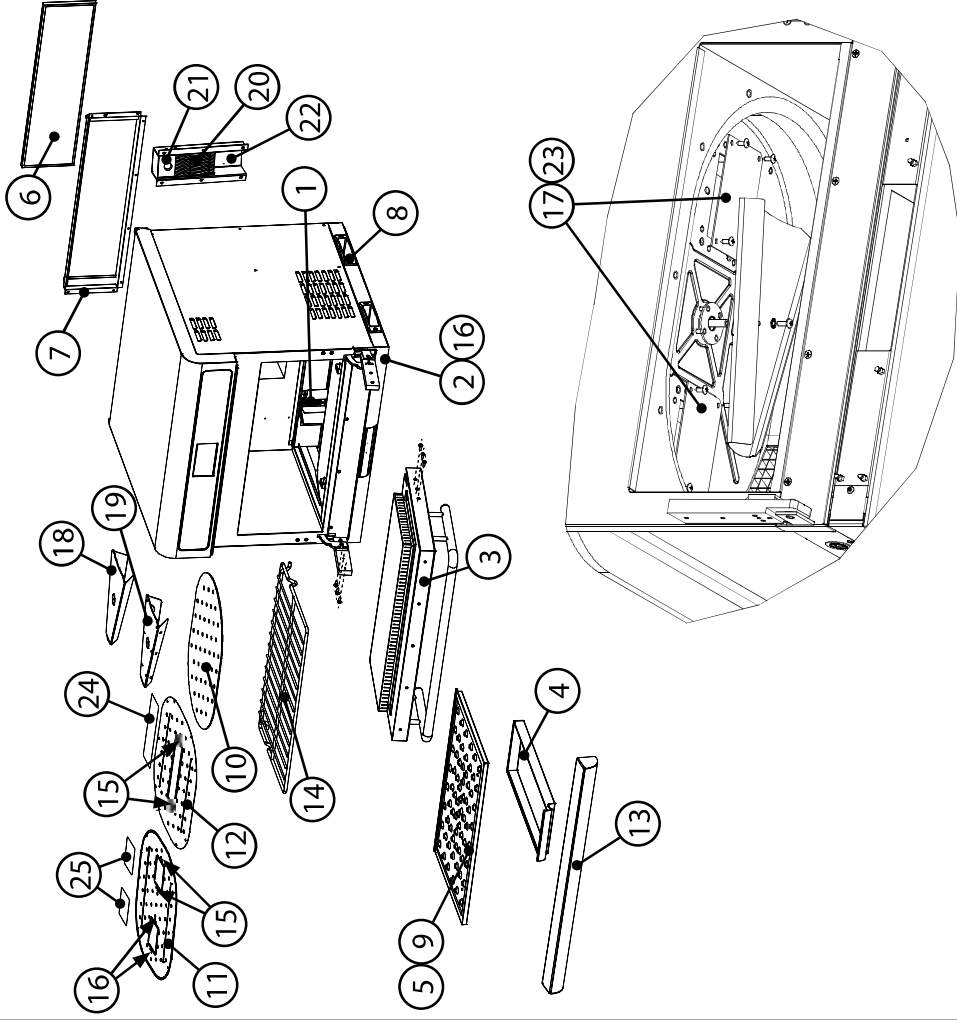
HhC 2020

DWO

SWO

Sections

- Exterior and Cavity
- Exterior and Cavity - Cont.
- Top Cover Open
- Top Cover Removed
- Top Cover Removed - Cont.
- Side Covers Removed
- Counter Balance Assy.
- Miscellaneous



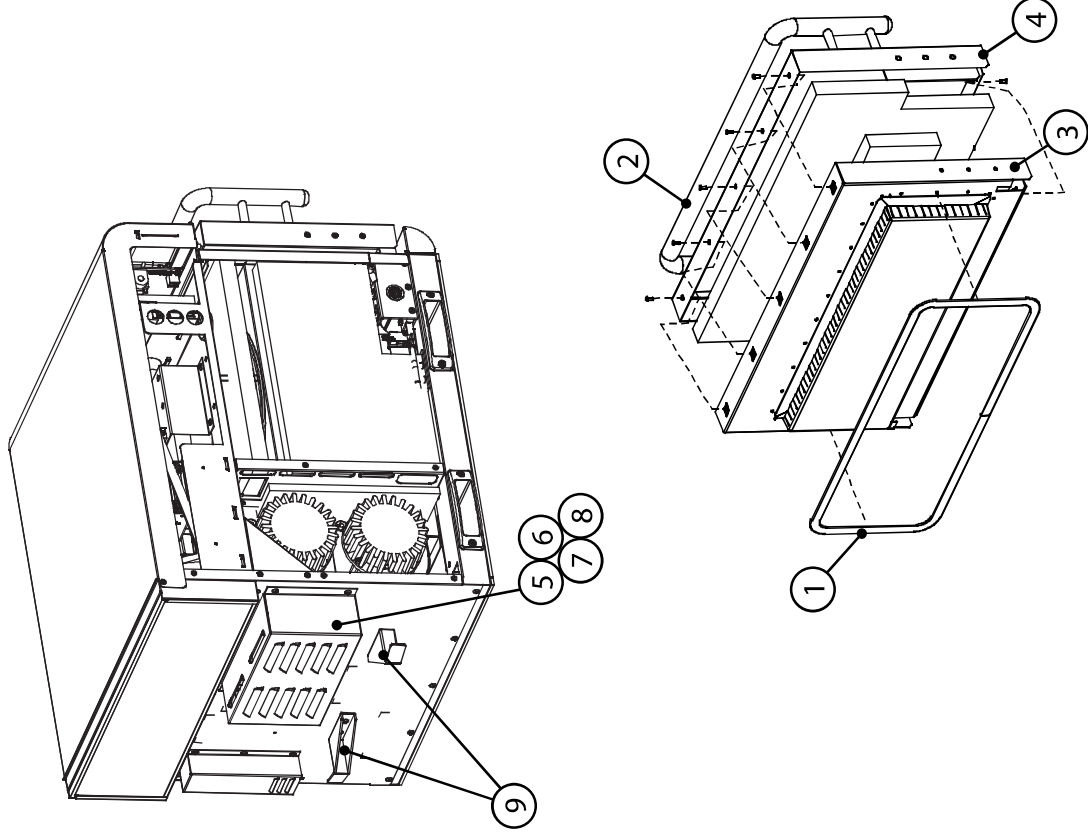
† NOTE: The i3 utilizes three versions of the top jetplate. Ovens with serial numbers between 00001 and 01000 use i5-3204. Ovens with serial numbers between 01001 and 01300 use i3-9425 and the i3-9427 window. Ovens with serial numbers 01301 and greater use i3-9434 and the i3-9432 window (x2).

* NOTE: the i3 utilizes two versions of the stirrer. Ovens with serial numbers between 00001 and 01000 use i5-9154. Ovens with serial numbers 01001 and greater use i3-9428.

#	P/N	Description
1	i5-9086	Air Diverter
2	101972 (x6)	Ball Stud 6-32 1/4"
3	i3-3211	Door, i3, Complete
4	i3-9252	Drain Pan
5	i5-3201	Fasteners, Bottom Jetplate
6	i3-9039	Filter, Air
7	i3-9060	Filter Bracket
8	i5-9256 (x4)	Hand Grip
9	i3-9160	Jetplate, Bottom
10	i5-3204	Jetplate, Top, Ceramic †
11	i3-9434	Jetplate, Top, Dual Window †
12	i3-9425	Jetplate, Top, Single Window †
13	i3-9246	Lower Front Panel
14	i3-9167	Rack
15	i5-9184 (x2 or x4)	Retainer, Jet Plate, Top
16	102752 (x2)	Screw, #8-16 Sheet Metal Torx Security
17	102567	Sealant, RTV, Permatex, 3 ounce
18	i3-9428	Stirrer, Metal *
19	i5-9154	Stirrer, Mica *
20	RWD-9191	Vent Tube Catalyst
21	NGC-1392	Vent Tube Cover
22	NGC-1397	Vent Tube Heat Channel
23	i5-3213	Waveguide Cover, Service Kit
24	i3-9427	Window, Jetplate, Large †
25	i3-9432 (x2)	Window, Jetplate, Small †

Sections

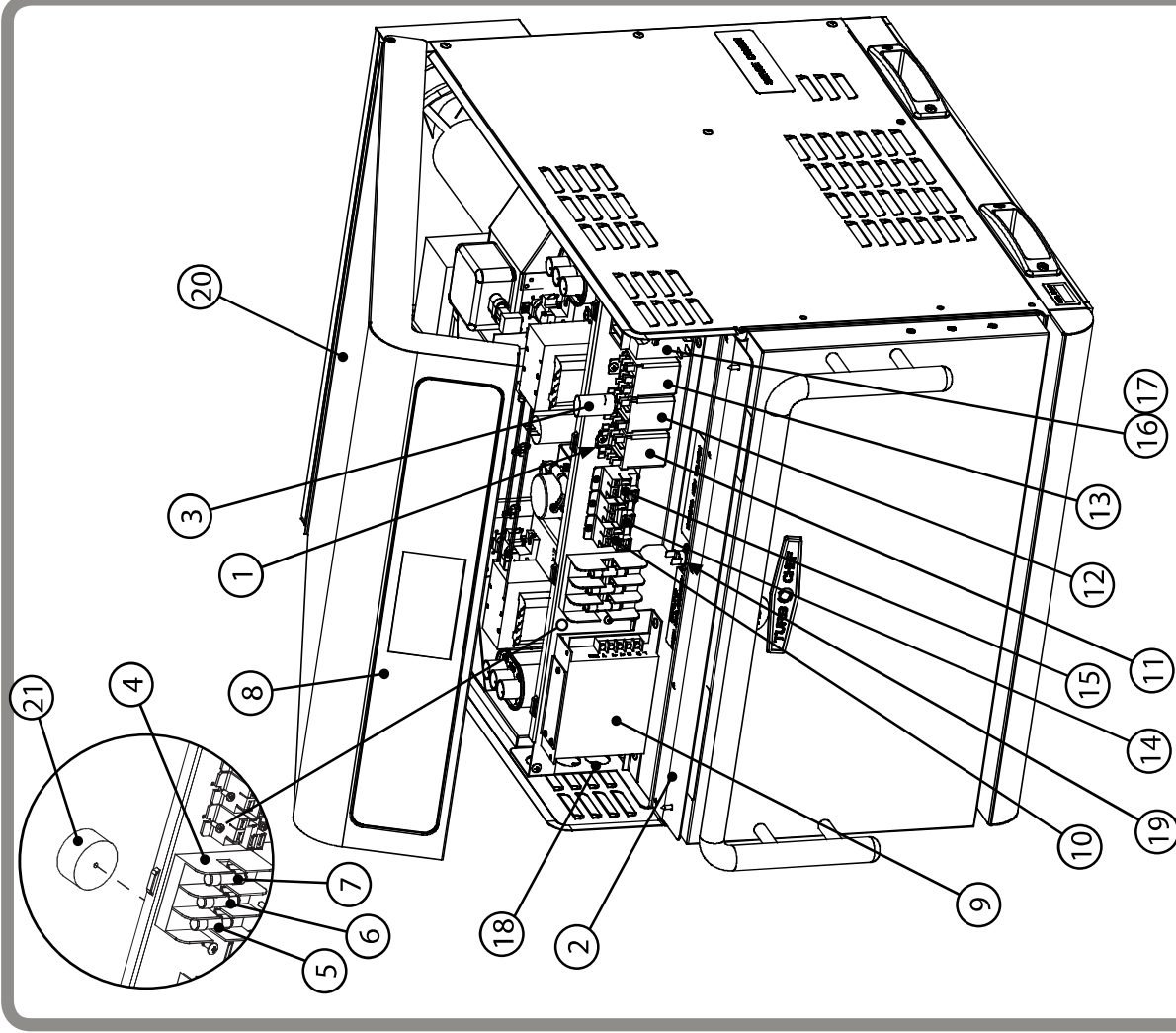
- Exterior and Cavity
- Exterior and Cavity - Cont.
- Top Cover Open
- Top Cover Removed
- Top Cover Removed - Cont.
- Side Covers Removed
- Counter Balance Assy.
- Miscellaneous



#	P/N	Description
1	i3-9309	Door Gasket
2	i3-9253	Door Handle
3	i3-9307	Door Shunt Plate
4	i3-9109	Door Skin
5	i3-9389	EMI Filter Bracket
6	i3-9390	EMI Filter Cover
7	i5-9312	EMI Filter Jumper
8	100546	EMI Filter
9	i5-9211 (x2)	Retainer, Power Cord

Sections

- Exterior and Cavity
- Exterior and Cavity - Cont.
- Top Cover Open
- Top Cover Removed
- Top Cover Removed - Cont.
- Side Covers Removed
- Counter Balance Assy.
- Miscellaneous

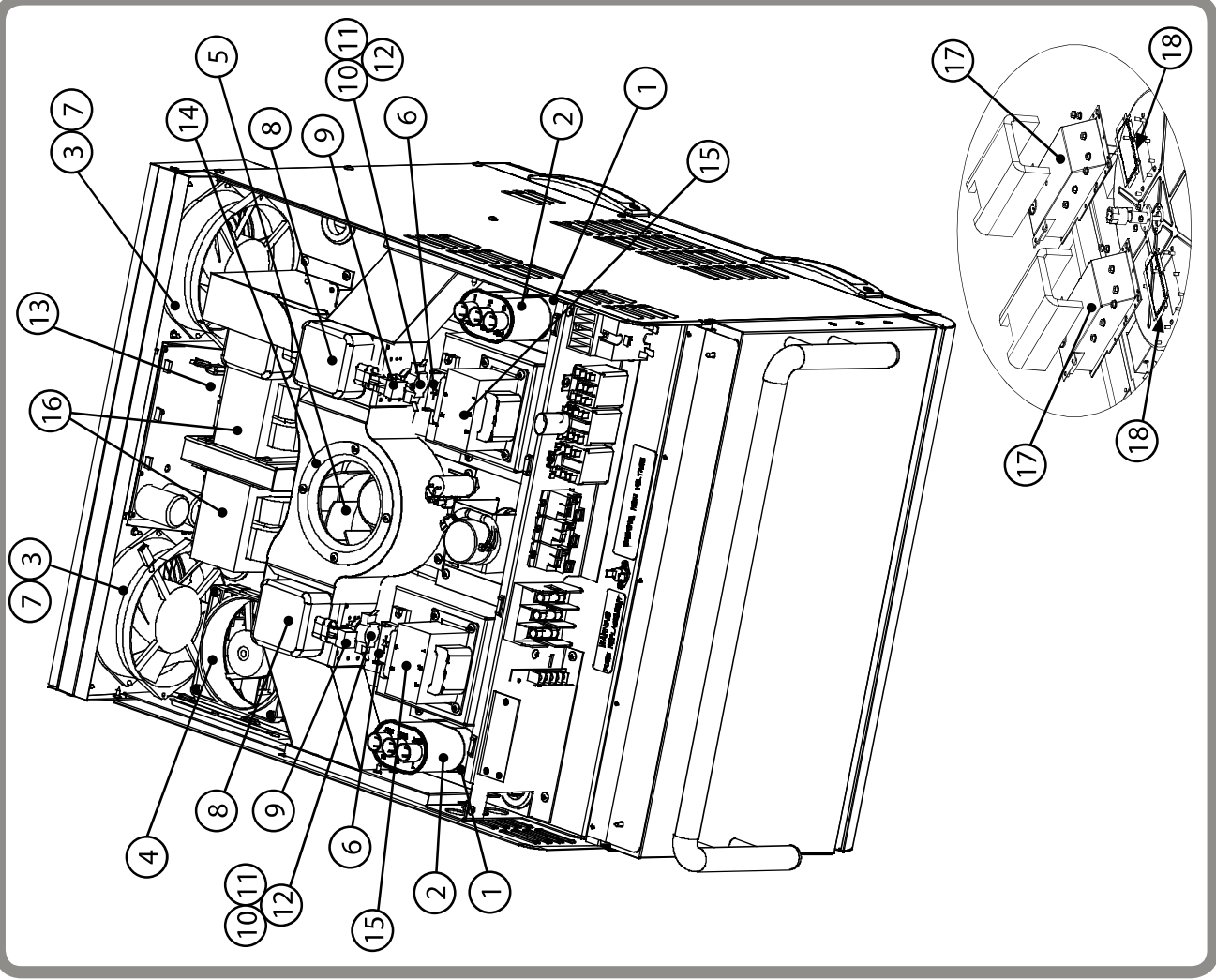


* NOTE: To prevent air bubbles when laying the keypad, start by sticking one end of the key pad to the surface and then laying it across towards the other end. As you lay the keypad, ensure a proper seal.

#	P/N	Description
1	700-1214	Assembly, Diode, Relay
2	i3-9224	Bracket, Support, Top Cover
3	CON-7015	Circuit Board, Capacitor, Diode
4	103566	Fuse Holder
5	100592	Fuse, F1, 12-amp
6	100592	Fuse, F2, 12-amp
7	100599	Fuse, F3, 20-amp
8	i3-9247	Keypad*
9	101211	Power Supply
10	101274	Relay (K1 - Filament)
11	101273	Relay (K2 - Anode)
12	101273	Relay (K3 - Monitor)
13	101272	Relay (K6 - Voltage)
14	101274	Relay (K7 - Mag Fan)
15	101274	Relay (K8 - Stirrer)
16	NGC-3005	Solid State Relay, Dual 40-Amp, No Heat Sink
17	101286	Solid State Relay, Dual 40-Amp, With Heat Sink
18	CON-3003	Speaker Replacement, 8 ohm, Service Kit
19	102086	Thermostat, Cooling Fans
20	i3-9240	Top Cover, i3
21	100783	Voltage Sensor

Sections

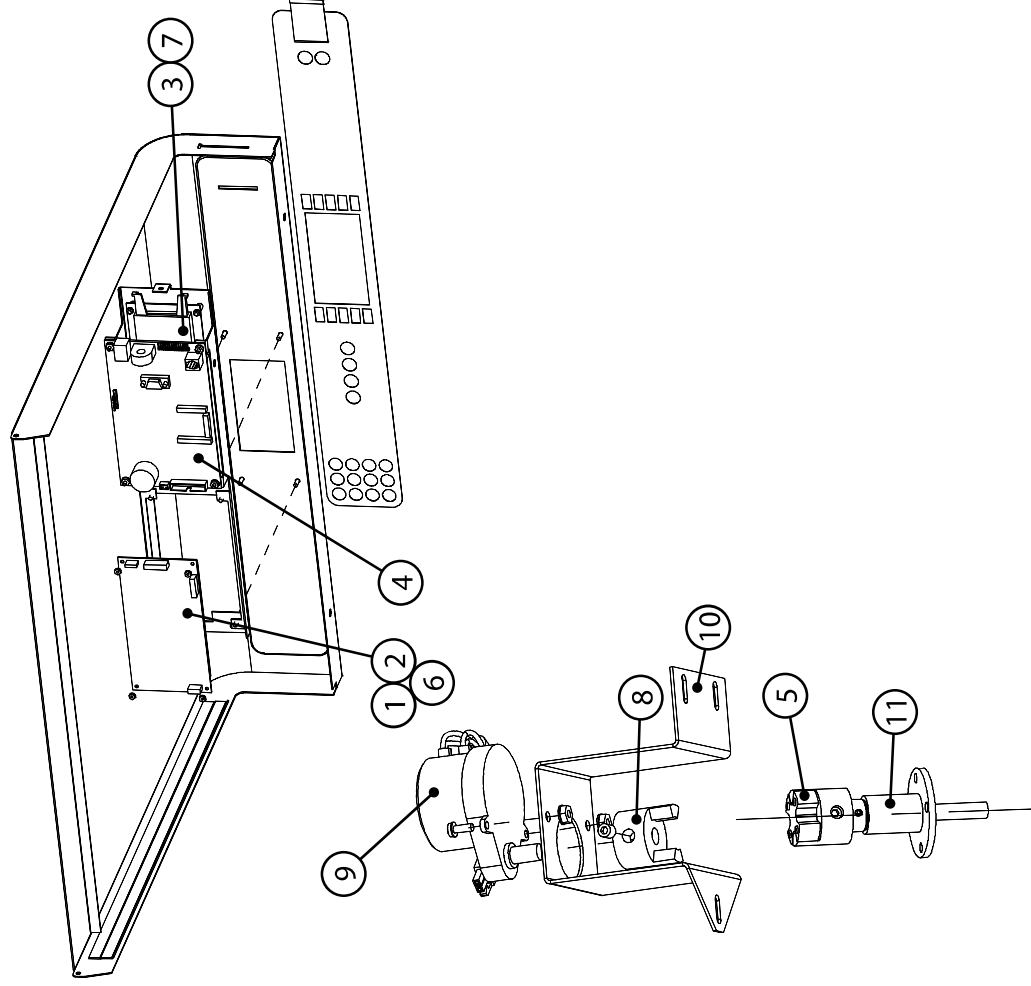
- Exterior and Cavity
- Exterior and Cavity - Cont.
- Top Cover Open
- Top Cover Removed
- Top Cover Removed - Cont.
- Side Covers Removed
- Counter Balance Assy.
- Miscellaneous



#	P/N	Description
1	104197 (x2) 104126 (x2) 100134 (x2)	Capacitor Clamp, Japan 50 Hz Capacitor Clamp, Japan 60 Hz Capacitor Clamp, All Others
2	100216 (x2) 100207 (x2) 100213 (x2) 100232 (x2)	Capacitor, HV, Japan 50 Hz Capacitor, HV, Japan 60 Hz Capacitor, HV, Korea Capacitor, HV, All Others
3	TC3-0433 (x2)	Cooling Fan, Exterior
4	100516	Cooling Fan, Interior
5	i3-3217	Cooling Fan, Magnetron (Kit)
6	100481 (x2)	Diode, High-Voltage
7	100086 (x2)	Finger Guard
8	NGC-3015 (x2)	Magnetron
9	100421 (x2)	Magnetron Connector
10	102070 (x2)	Magnetron Thermostat
11	NGC-1163 (x2)	Magnetron Thermostat Insulator, Cho-therm 1674, 3/4 x3/4
12	100186	Magnetron Thermostat Wire
13	CON-7039	Motor Controller, Dual
14	100092	Ring, Magnetron Fan
15	NGC-3061-1 (x2) NGC-3061-2 (x2) NGC-3061-3 (x2)	Transformer, Filament, 60 Hz -2 is for 50 Hz non-Japan 50 Hz -3 is for 50/60 Hz Japan
16	NGC-3062-1 (x2) NGC-3062-2 (x2) NGC-3062-3 (x2)	Transformer, High-Voltage, 60 Hz -2 is for 50 Hz non-Japan 50 Hz -3 is for 50/60 Hz Japan
17	i5-3210 (x2)	Waveguide
18	i5-9331 (x2)	Waveguide Gasket

Sections

- Exterior and Cavity
- Exterior and Cavity - Cont.
- Top Cover Open
- Top Cover Removed
- Top Cover Removed - Cont.
- Side Covers Removed
- Counter Balance Assy.
- Miscellaneous



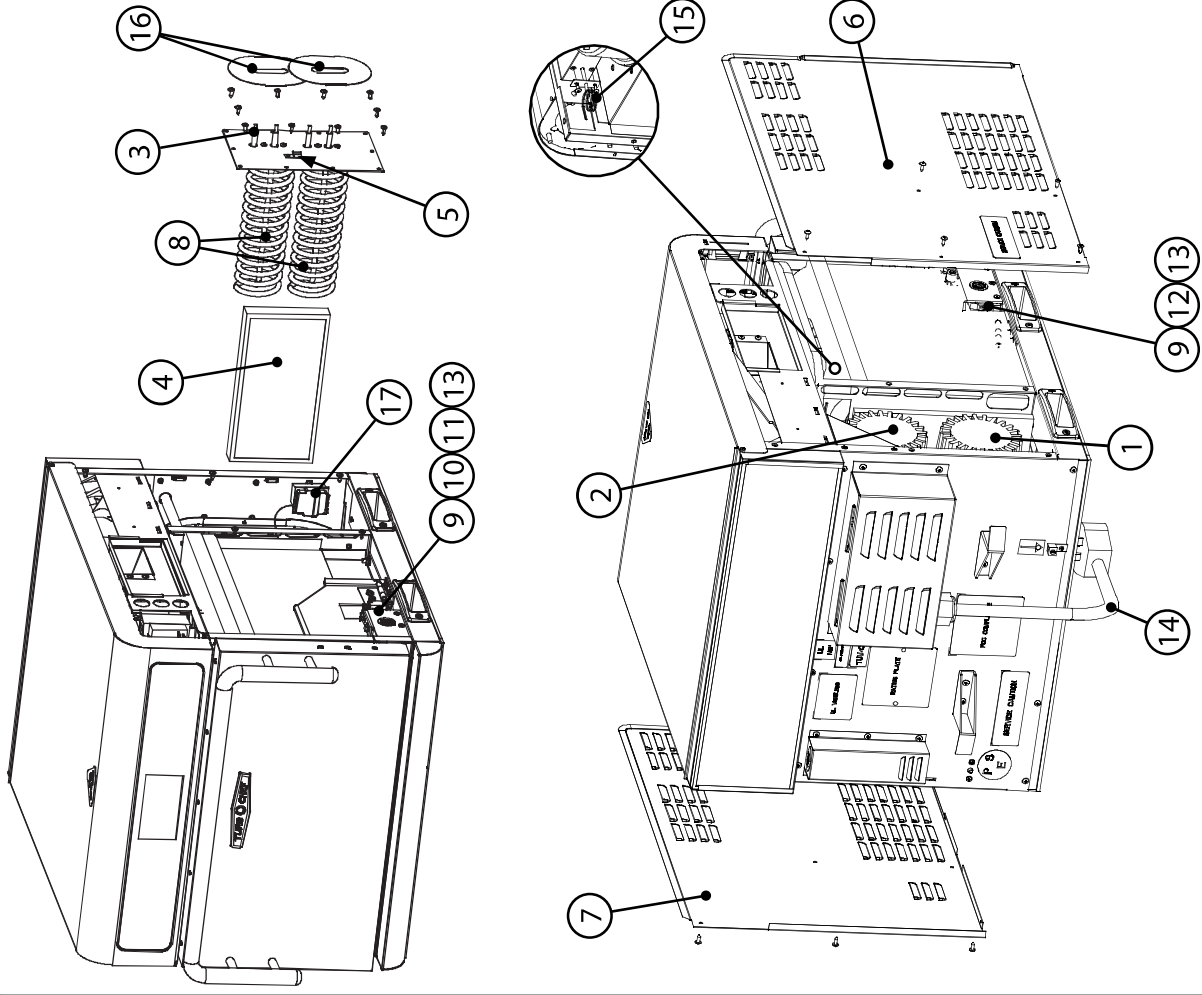
† NOTE: See parts list for programmed control board options.

* NOTE: The i3 utilizes two versions of the stirrer shaft. Ovens with serial numbers between 00001 and 01000 must use i5-9151. All i3 ovens with a serial number of 01001 or greater use i3-9151.

#	P/N	Description
1	100198	Cable, Power, 3-Pin, Display
2	100197	Cable, Ribbon, 26-Pin, Display
3	100182	Cable, Smart Card Reader
4	CON-3001 i3-3208-X	Control Board, Unprogrammed Control Board, Programmed†
5	104306	Coupling, Spider Insert
6	i5-3207	Display, TFT, with Cables
7	CON-7005	Smart Card/USB Port
8	104132 (x2)	Stirrer Hub
9	100884	Stirrer Motor
10	i5-9075	Stirrer Motor Bracket
11	i5-3217 / i3-3215	Stirrer Shaft *

Sections

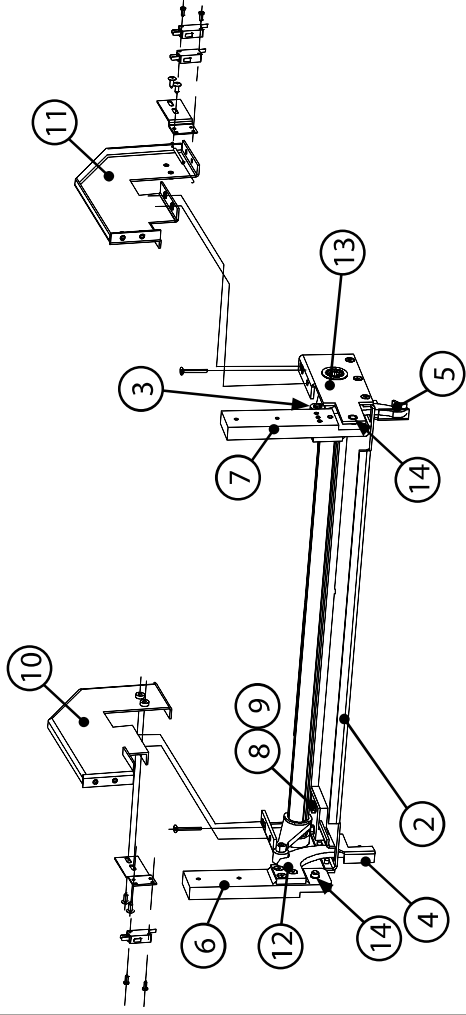
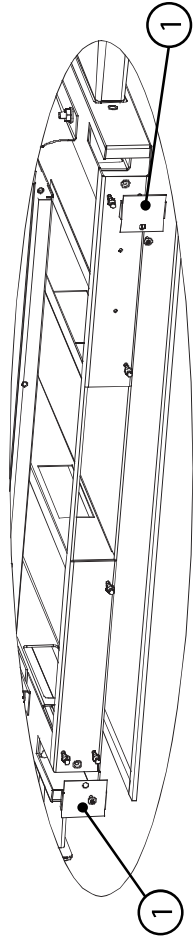
- Exterior and Cavity
- Exterior and Cavity - Cont.
- Top Cover Open
- Top Cover Removed
- Top Cover Removed - Cont.
- Side Covers Removed
- Counter Balance Assy.
- Miscellaneous



#	P/N	Description
1	i3-9042	Blower Motor, Bottom, CW
2	i3-9040	Blower Motor, Top, CCW
3	100795 (x4)	Cap, Silicone, Ultra-Bake
4	i3-9066	Catalytic Converter
5	NGC-1152	Clamp, Thermostat
6	i3-9301	Cover, Left Side
7	i3-9302	Cover, Right Side
8	i3-9378 (x2)	Heater Element, 3000 Watt 208V; Helical
9	i5-9397 (x2)	Helper Spring, Interlock Switch
10	102012	Interlock Switch - Monitor
11	102012	Interlock Switch - Secondary
12	102012	Interlock Switch - Primary
13	i5-9272 (x2)	Mounting Bracket, Interlock Switch
14	i5-9127	Power Cord, NEMA 6-50P (US/ALA) - 208 or 240 / 220 VAC, 60 Hz, 1 ph
	i5-9388	Power Cord, IEC 309, 3-pin (BK) - 220 VAC, 60 Hz, 1 ph
	i5-9389	Power Cord, IEC 309, 3-pin (UK) - 230 VAC, 50 Hz, 1 ph
	103195	Power Cord, Clipsal, 5-Pin (AU) - 400 VAC, 50 Hz, 3 ph
	100194	Power Cord, IEC 309, 4-Pin (ED/BD) - 230 VAC, 50 Hz, 3 ph
	103187	Power Cord, IEC 309, 5-Pin (EW/KW) - 400 VAC, 50/60 Hz, 3 ph
	i5-9128	Power Cord, NEMA 15-30P (DL/LD) - 208 or 240 / 220 VAC, 60 Hz, 3 ph
	NGC-1383	Power Cord, NEMA L6-50 PSE, 4-blade (JD) - 200 VAC, 50 Hz, 3 ph
15	HHC-6517-2	RTD, Cook Cavity
16	i5-9216	Shield, Heater Insulation (x2)
17	102075	Thermostat, High-Limit

Sections

- Exterior and Cavity
- Exterior and Cavity - Cont.
- Top Cover Open
- Top Cover Removed
- Top Cover Removed - Cont.
- Side Covers Removed
- Counter Balance Assy.
- Miscellaneous



#	P/N	Description
1	i5-9206 (x2)	Bracket, Cam Cover
2	i3-9193	Hinge - Base
3	i5-3212	Hinge - Bearing, Service Kit
4	i5-9196	Hinge - Bracket, Slide, LHS
5	i5-9195	Hinge - Bracket, Slide, RHS
6	i5-9313	Hinge - Cam, Weldment, LHS
7	i5-9314	Hinge - Cam, Weldment, RHS
8	i5-9393	Hinge - Guide Block, Bottom
9	i5-9394	Hinge - Guide Block, Top
10	i5-9178	Hinge - Gusset, LHS
11	i5-9179	Hinge - Gusset, RHS
12	i5-9326	Hinge - Weldment, Counterbalance Bracket, LHS
13	i5-9327	Hinge - Weldment, Counterbalance Bracket, RHS
14	C0504 (x2)	Washer, Nylon, Hinge Pin

Sections

Exterior and Cavity
 Exterior and Cavity - Cont.
 Top Cover Open
 Top Cover Removed
 Top Cover Removed - Cont.
 Side Covers Removed
 Counter Balance Assy.
 Miscellaneous

#	P/N	Description
1	i5-3206	Firmware Upgrade, Service Kit
2	i3-9236	Harness, Line Voltage
3	i3-9238	Harness, Low Voltage
4	i5-9387	Tool, Gauge, Hinge Tension
5	i3-9225-X	Menu, i3