



Client _____ Quantity _____
 Project _____ Position _____

FUN 650

Model: F65/110CFGEB

Cod: MP01032132001

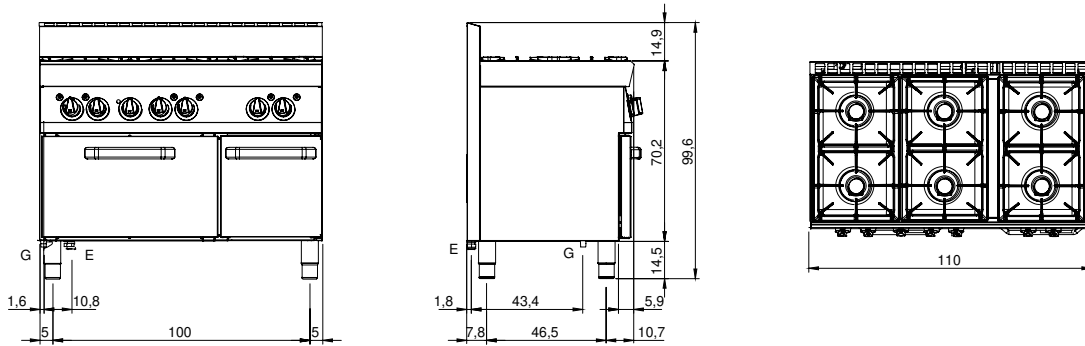
Technical data

Modularity:	Electric oven
Dimension (mm):	1100x650x850
Oven dimension (mm):	565x330x325
Total electric power (kW):	3,96
Total gas power (Kcal/h):	22184
Total power (kW):	25,8
Oven type:	Electric convection oven
Oven power (kW):	3,96
Oven temperature range (°C):	50-300
Gas connection:	1/2"
Electric power (V):	380-415
Ampere (A):	6,5
Phases:	3N
Cable section (mmq):	5G1,5
Frequency (Hz):	50
Net volume (m3):	0,608
Packing dimensions (mm):	1176x776x1180
Gross weight (kg):	115
Burner power 1 (kW):	5
Burner power 2 (kW):	3,6
Burner power 3 (kW):	5
Burner power 4 (kW):	3,6
Burner power 5 (kW):	5
Burner power 6 (kW):	3,6
Gross volume (m3):	1,077

Features

Burners:	Piezo ignition available in cast iron with single crown brass burner cap
Grill:	In cast iron with long spokes
Working top:	Made of AISI 304 stainless steel with a thickness of 10/10 mm and removable enamelled containers
Knobs:	Knobs are made from a sturdy heat-resistant polymer blend and are equipped with liquid anti-leakage washer
Handles:	Brushed aluminum finish
Kit Gas:	Natural gas conversion kit 30/50 m/bar (tested with natural gas G20)

Technical draw



G: Gas connection 1/2"

E: Electric power