



Client _____ Quantity _____

Project _____ Position _____

FUN 700

Model: F70/40GRLG/A

Cod: MP01452113001

Market: Extra UE

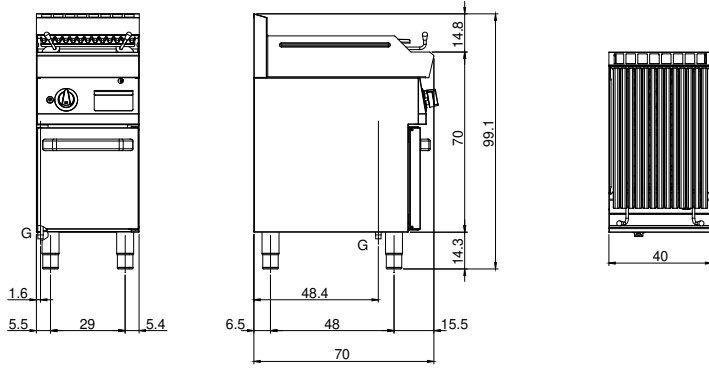
Technical data

Modularity:	On open cabinet
Dimension (mm):	400x700x850
Total gas power (Kcal/h):	6449
Total gas power (kW):	7,5
Cooking zone dimensions 1 (LxD mm):	n°2 681.101.13 (184x mm)
Gas connection:	1/2"
Net volume (m3):	0,238
Packing dimensions (mm):	477x776x1147
Gross weight (kg):	62
Gross volume (m3):	0,425

Features

Grill:	In cast iron
Working top:	Made of AISI 304 stainless steel with a thickness of 10/10 mm
Knobs:	Knobs are made from a sturdy heat-resistant polymer blend and are equipped with liquid anti-leakage washer
Liquid collection container:	Removable and dishwasher safe
Kit Gas:	Natural gas conversion kit 30/50 m/bar (tested with natural gas G20)

Technical draw



G: Gas connection 1/2"