



Client \_\_\_\_\_ Quantity \_\_\_\_\_  
 Project \_\_\_\_\_ Position \_\_\_\_\_

## FUN 700

**Model:** F70/40PCE/A

**Cod:** MP01012123001

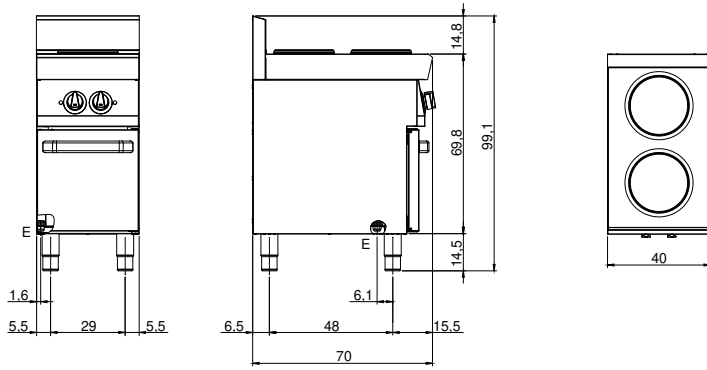
### Technical data

<b>Modularity:</b>	On open cabinet
<b>Dimension (mm):</b>	400x700x850
<b>Total electric power (kW):</b>	5,2
<b>Electric power (V):</b>	380-415
<b>Ampere (A):</b>	12
<b>Phases:</b>	3N
<b>Cable section (mmq):</b>	5G1,5
<b>Frequency (Hz):</b>	50-60
<b>Net volume (m3):</b>	0,238
<b>Packing dimensions (mm):</b>	477x776x1147
<b>Gross weight (kg):</b>	38
<b>Gross volume (m3):</b>	0,425

### Features

<b>Working top:</b>	Made of AISI 304 stainless steel with a thickness of 10/10 mm
<b>Knobs:</b>	Knobs are made from a sturdy heat-resistant polymer blend and are equipped with liquid anti-leakage washer

Technical draw



E: Electric power