

hatcocorp.com

Register Online!  
(see page 2)

S'inscrire en ligne!  
(voir page 19)



# Glo-Ray®

## Heated Stone Shelves

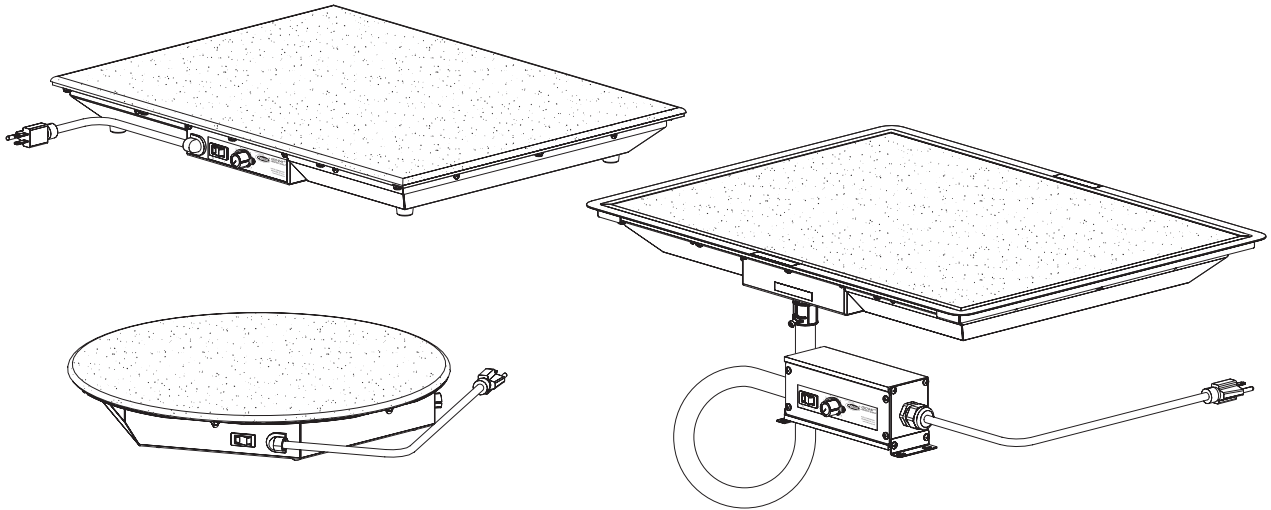
## Plaques chauffantes en pierre

### GRSS, GRSSB, GRSSR Series/Série

## Installation and Operating Manual

## Manuel d'installation et d'utilisation

I&W 07.05.166.00



### ⚠ WARNING

Do not operate this equipment unless you have read and understood the contents of this manual! Failure to follow the instructions contained in this manual may result in serious injury or death. This manual contains important safety information concerning the maintenance, use, and operation of this product. If you're unable to understand the contents of this manual, please bring it to the attention of your supervisor. Keep this manual in a safe location for future reference.

English = p 2

### ⚠ ADVERTENCIA

No opere este equipo al menos que haya leído y comprendido el contenido de este manual! Cualquier falla en el seguimiento de las instrucciones contenidas en este manual puede resultar en un serio lesión o muerte. Este manual contiene importante información sobre seguridad concerniente al mantenimiento, uso y operación de este producto. Si usted no puede entender el contenido de este manual por favor pregunte a su supervisor. Almacenar este manual en una localización segura para la referencia futura.

### ⚠ AVERTISSEMENT

Ne pas utiliser cet équipement sans avoir lu et compris le contenu de ce manuel ! Le non-respect des instructions contenues dans ce manuel peut entraîner de graves blessures ou la mort. Ce manuel contient des informations importantes concernant l'entretien, l'utilisation et le fonctionnement de ce produit. Si vous ne comprenez pas le contenu de ce manuel, veuillez le signaler à votre supérieur. Conservez ce manuel dans un endroit sûr pour pouvoir vous y référer plus tard.

Français = p 19

<b>Important Owner Information</b> .....	<b>2</b>	<b>Operation</b> .....	<b>10</b>
<b>Introduction</b> .....	<b>2</b>	General.....	10
<b>Important Safety Information</b> .....	<b>3</b>	<b>Maintenance</b> .....	<b>11</b>
<b>Model Description</b> .....	<b>4</b>	General.....	11
<b>Model Designation</b> .....	<b>4</b>	Daily Cleaning.....	11
<b>Specifications</b> .....	<b>5</b>	Cleaning the Stone Surface.....	11
Plug Configurations.....	5	<b>Troubleshooting Guide</b> .....	<b>12</b>
Electrical Rating Charts.....	5	<b>Options and Accessories</b> .....	<b>13</b>
Dimensions.....	6	<b>Limited Warranty</b> .....	<b>18</b>
<b>Installation</b> .....	<b>8</b>	<b>Authorized Parts Distributors</b> .....	<b>Back Cover</b>
General.....	8		
GRSS and GRSSR Models.....	8		
GRSSB Models.....	8		

## IMPORTANT OWNER INFORMATION

Record the model number, serial number, voltage, and purchase date of the unit in the spaces below (specification label on bottom of GRSS model, bottom of control box on GRSSB and GRSSR models). Please have this information available when calling Hatco for service assistance.

Model No. \_\_\_\_\_

Serial No. \_\_\_\_\_

Voltage \_\_\_\_\_

Date of Purchase \_\_\_\_\_

Business Hours: 7:00 AM to 5:00 PM Monday–Friday, Central Time (CT)  
 (Summer Hours: June to September—  
 7:00 AM to 5:00 PM Monday–Thursday  
 7:00 AM to 4:00 PM Friday)

Telephone: 800-558-0607; 414-671-6350

E-mail: support@hatcocorp.com



24 Hour 7 Day Parts and Service Assistance available in the United States and Canada by calling 800-558-0607.

Additional information can be found by visiting our web site at [www.hatcocorp.com](http://www.hatcocorp.com).

### Register your unit!

Completing online warranty registration will prevent delay in obtaining warranty coverage. Access the Hatco website at [www.hatcocorp.com](http://www.hatcocorp.com), select the *Support* pull-down menu, and click on "Warranty".

## INTRODUCTION

The Hatco Glo-Ray® Heated Stone Shelf is designed to keep prepared foods hot while blending into your décor. Heated Stone Shelves will keep all foods at optimum serving temperatures without affecting quality. These warmers have a thermostatically-controlled heated base to extend the holding times of most foods.

Glo-Ray Heated Stone Shelves are a product of extensive research and field testing. The materials used were selected for maximum durability, attractive appearance, and optimum performance. Every unit is inspected and tested thoroughly prior to shipment.

This manual provides the installation, safety, and operating instructions for the Glo-Ray Heated Stone Shelf. Hatco recommends all installation, operating, and safety instructions appearing in this manual be read prior to installation or operation of the Glo-Ray Heated Stone Shelf.

Safety information that appears in this manual is identified by the following signal word panels:



**WARNING** indicates a hazardous situation which, if not avoided, could result in death or serious injury.



**CAUTION** indicates a hazardous situation which, if not avoided, could result in minor or moderate injury.



**NOTICE** is used to address practices not related to personal injury.



Read the following important safety information before using this equipment to avoid serious injury or death and to avoid damage to equipment or property.

**WARNING**

**ELECTRIC SHOCK HAZARD:**

- Plug unit into a properly grounded electrical receptacle of the correct voltage, size, and plug configuration. If plug and receptacle do not match, contact a qualified electrician to determine and install the proper voltage and size electrical receptacle.
- Remote mounted control enclosure must be mounted on a vertical wall and installed in vertical position. Mounting control enclosure in horizontal position may result in collection of liquids and lead to an electric shock.
- Turn OFF power switch, unplug power cord, and allow unit to cool before performing any cleaning, adjustments, or maintenance.
- DO NOT submerge or saturate with water. Unit is not waterproof. Do not operate if unit has been submerged or saturated with water.
- Unit is not weatherproof. Locate unit indoors where ambient air temperature is a minimum of 70°F (21°C).
- This unit is not “jet-proof” construction. Do not use jet-clean spray to clean this unit.
- Do not steam clean or use excessive water on unit.
- Do not pull unit by power cord.
- Discontinue use if power cord is frayed or worn.
- Do not attempt to repair or replace a damaged power cord. The cord must be replaced by Hatco, an Authorized Hatco Service Agent, or a person with similar qualifications.
- This unit must be serviced by qualified personnel only. Service by unqualified personnel may lead to electric shock or burn.
- Use only Genuine Hatco Replacement Parts when service is required. Failure to use Genuine Hatco Replacement Parts will void all warranties and may subject operators of the equipment to hazardous electrical voltage, resulting in electrical shock or burn. Genuine Hatco Replacement Parts are specified to operate safely in the environments in which they are used. Some aftermarket or generic replacement parts do not have the characteristics that will allow them to operate safely in Hatco equipment.

**FIRE HAZARD:** Locate unit a minimum of 1” (25 mm) from combustible walls and materials. If safe distances are not maintained, discoloration or combustion could occur.

This unit is not intended for use by children or persons with reduced physical, sensory, or mental capabilities. Ensure proper supervision of children and keep them away from the unit.

Make sure all operators have been instructed on the safe and proper use of the unit.

Make sure food product has been heated to the proper food-safe temperature before placing on the unit. Failure to heat food product properly may result in serious health risks. This unit is for holding preheated food product only.

**WARNING**

This unit has no “user-serviceable” parts. If service is required on this unit, contact an Authorized Hatco Service Agent or contact the Hatco Service Department at 800-558-0607 or 414-671-6350.

**CAUTION**

**BURN HAZARD:** Some exterior surfaces on the unit will get hot. Use caution when touching these areas.

Locate unit at proper counter height in an area that is convenient for use. Location should be level to prevent unit or its contents from falling accidentally and strong enough to support the weight of the unit and contents.

Do not operate built-in models without the trim mounting ring and the control box mounted properly as described in the installation instructions.

The National Sanitation Foundation (NSF) requires that units over 36” (914 mm) in width or weighing more than 80 lbs. (36 kg) either be sealed to or raised above the installation surface. If unit cannot be sealed at the point of use, 4” (102 mm) legs are included to allow for proper cleaning access below unit.

Make sure to clean and sanitize stone surface properly after deep cleaning the surface using abrasives and before placing food product on unit.

**NOTICE**

Unit is designed and recommended for use in or on metallic countertops. Damage to any countertop material caused by heat generated from Hatco equipment is not covered under the Hatco warranty. Verify with the manufacturer that the material is suitable for prolonged temperatures up to 200°F (93°C).

Built-in units must not have a setpoint temperature higher than 200°F (93°C). Temperatures exceeding 200°F will damage unit and void warranty.

Do not modify wiring or cut thermostat capillary on control box to increase remote mounting distance. Cutting thermostat capillary will cause unit to overheat and may damage unit as well as surrounding countertop.

Do not lay unit on the side with the control panel. Damage to unit could occur.

Use non-abrasive cleaners and cloths only. Abrasive cleaners and cloths could scratch finish of unit, marring its appearance and making it susceptible to soil accumulation.

Do not drag or slide unit when moving or installing. Carefully lift unit to prevent the rubber feet from tearing off.

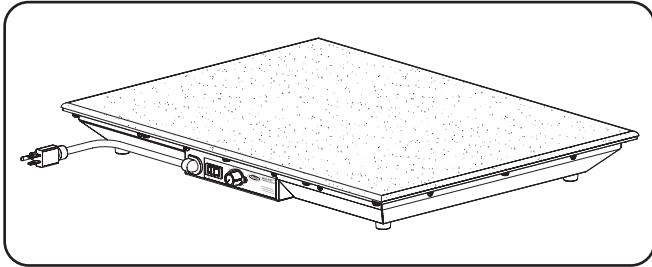
If weight on shelf exceeds 50 lbs. (23 kg), a deflection up to 5/32” (4 mm) is possible. If weight on shelf exceeds 100 lbs. (45 kg), a deflection of 1/4” (6 mm) is possible. Shelf is not guaranteed if weight on shelf exceeds 150 lbs. (68 kg). All weight must be distributed evenly across entire shelf.

## All Models

All Hatco Glo-Ray® Heated Stone Shelves are ideal for pass through areas, buffet lines, and as hors d'oeuvre displays. The unique Heated Stone Shelf is constructed of a simulated stone solid surface and is available in several colors. Standard equipment includes an illuminated Power I/O (on/off) switch, a thermostatically-controlled heated stone top, and painted steel base.

## GRSS Models

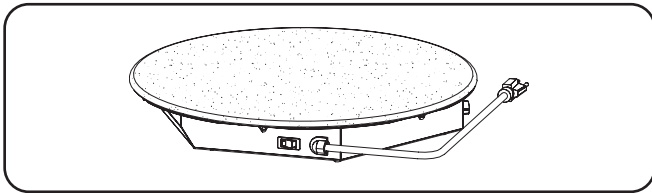
The GRSS Heated Stone Shelf is a portable shelf with an attached 6' (1829 mm) cord and plug. The portable unit is available in six models: GRSS-2418, GRSS-3018, GRSS-3618, GRSS-4818, GRSS-6018, and GRSS-7218.



Model GRSS

## GRSSR Models

The GRSSR Heated Stone Shelf is a portable round shelf with an attached 6' (1829 mm) cord and plug. The portable unit is available in three models: GRSSR-16, GRSSR-18 and GRSSR-20.

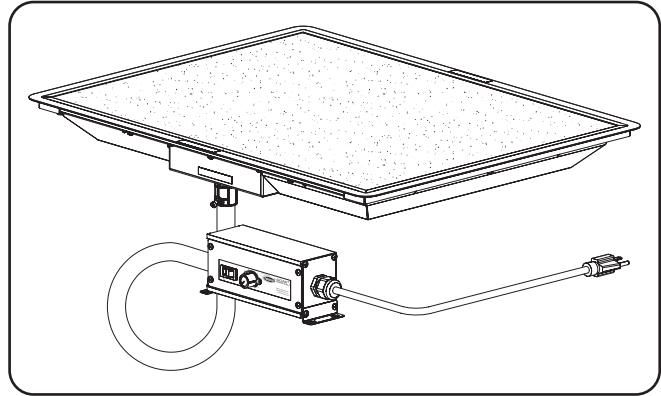


Model GRSSR

## GRSSB Models

The GRSSB Heated Stone Shelf is a built-in unit that is equipped with an attached trim mounting ring. The unit includes a remote control box that is attached with 3' (914 mm) of conduit. A 6' (1829 mm) power cord with plug connects the remote control box to the power source.

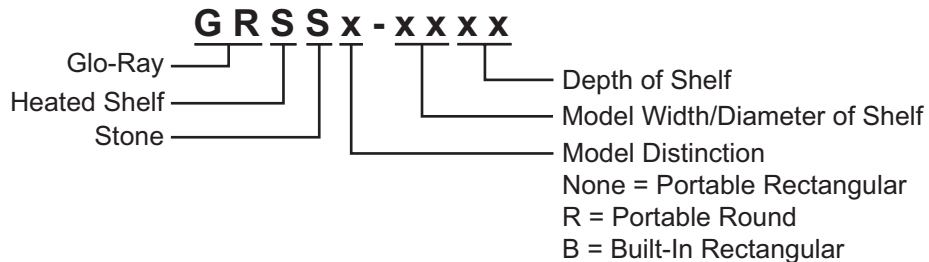
The built-in units are available in six models: GRSSB-2418, GRSSB-3018, GRSSB-3618, GRSSB-4818, GRSSB-6018, and GRSSB-7218.



Model GRSSB

*NOTE: Refer to the OPTIONS AND ACCESSORIES section in this manual for the available options and accessories.*

# MODEL DESIGNATION



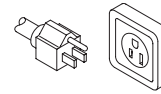
## Plug Configuration

Units are supplied from the factory with an electrical cord and plug installed. Plugs are supplied according to the applications.

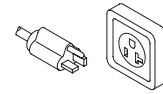


**ELECTRIC SHOCK HAZARD:** Plug unit into a properly grounded electrical receptacle of the correct voltage, size, and plug configuration. If plug and receptacle do not match, contact a qualified electrician to determine and install proper voltage and size electrical receptacle.

*NOTE: Specification label on bottom of GRSS model, bottom of control box on GRSSB and GRSSR models. See label for serial number and verification of unit electrical information.*



NEMA 5-15P



NEMA 5-20P

Plug Configurations

*NOTE: Receptacle not supplied by Hatco.*

## Electrical Rating Chart — GRSS Models

Model	Voltage	Watts	Amps	Plug Configuration	Shipping Weight
GRSS-2418	120	635	5.3	NEMA 5-15P	27 lbs. (12 kg)
GRSS-3018	120	780	6.5	NEMA 5-15P	30 lbs. (14 kg)
GRSS-3618	120	930	7.8	NEMA 5-15P	35 lbs. (16 kg)
GRSS-4818	120	1270	10.6	NEMA 5-15P	45 lbs. (20 kg)
GRSS-6018	120	1560	13.0	NEMA 5-20P	56 lbs. (25 kg)
GRSS-7218	120	1860	15.6	NEMA 5-20P	68 lbs. (31 kg)

## Electrical Rating Chart — GRSSR Models

Model	Voltage	Watts	Amps	Plug Configuration	Shipping Weight
GRSSR-16	120	250	2.1	NEMA 5-15P	14 lbs. (6 kg)
GRSSR-18	120	325	2.7	NEMA 5-15P	16 lbs. (7 kg)
GRSSR-20	120	400	3.3	NEMA 5-20P	18 lbs. (8 kg)

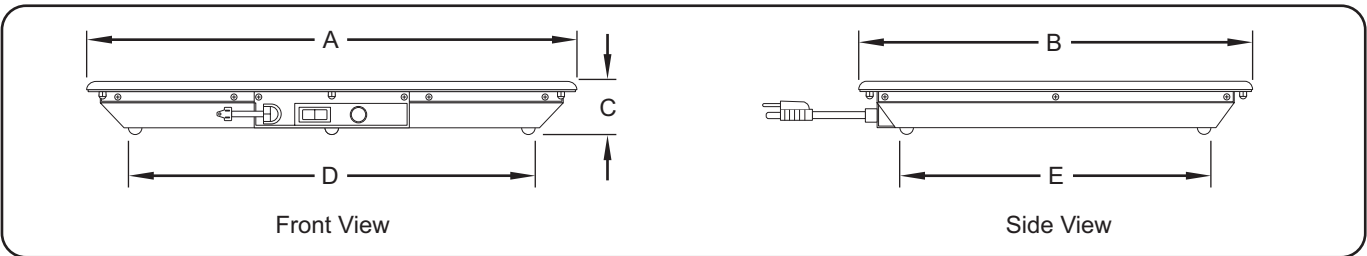
## Electrical Rating Chart — GRSSB Models

Model	Voltage	Watts	Amps	Plug Configuration	Shipping Weight
GRSSB-2418	120	635	5.3	NEMA 5-15P	30 lbs. (14 kg)
GRSSB-3018	120	780	6.5	NEMA 5-15P	35 lbs. (16 kg)
GRSSB-3618	120	930	7.8	NEMA 5-15P	40 lbs. (18 kg)
GRSSB-4818	120	1270	10.6	NEMA 5-15P	51 lbs. (23 kg)
GRSSB-6018	120	1560	13.0	NEMA 5-20P	56 lbs. (25 kg)
GRSSB-7218	120	1860	15.6	NEMA 5-20P	70 lbs. (32 kg)

## Dimensions — GRSS Series

Model	Width (A)	Depth (B)	Height (C)	Footprint Width (D)	Footprint Depth (E)
GRSS-2418	23-7/8" (606 mm)	17-7/8" (454 mm)	2-1/2" (64 mm)	19-3/4" (502 mm)	13-3/4" (349 mm)
GRSS-3018	29-7/8" (759 mm)	17-7/8" (454 mm)	2-1/2" (64 mm)	25-3/4" (654 mm)	13-3/4" (349 mm)
GRSS-3618	35-7/8" (911 mm)	17-7/8" (454 mm)	2-1/2" (64 mm)	31-3/4" (806 mm)	13-3/4" (349 mm)
GRSS-4818 *	47-7/8" (1216 mm)	17-7/8" (454 mm)	6-1/4" (159 mm)	42-3/4" (1086 mm)	12-3/4" (324 mm)
GRSS-6018 *	59-7/8" (1521 mm)	17-7/8" (454 mm)	6-1/4" (159 mm)	54-3/4" (1391 mm)	12-3/4" (324 mm)
GRSS-7218 *	71-7/8" (1826 mm)	17-7/8" (454 mm)	6-1/4" (159 mm)	66-3/4" (1695 mm)	12-3/4" (324 mm)

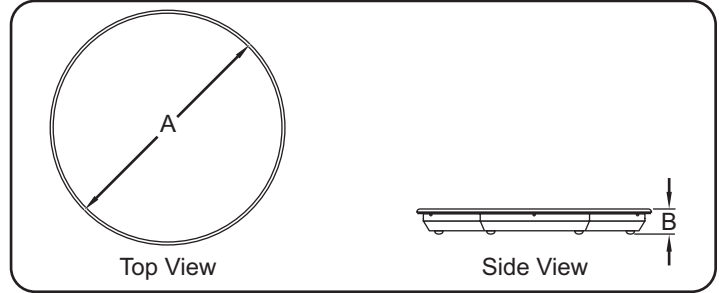
\* Height includes 4" (102 mm) legs.



Dimensions—GRSS Model

**Dimensions — GRSSR Models**

Model	Diameter (A)	Height (B)
GRSSR-16	16" (406 mm)	2-5/8" (67 mm)
GRSSR-18	18" (457 mm)	2-5/8" (67 mm)
GRSSR-20	20" (508 mm)	2-5/8" (67 mm)



Dimensions—GRSSR Model

**Dimensions — GRSSB Models**

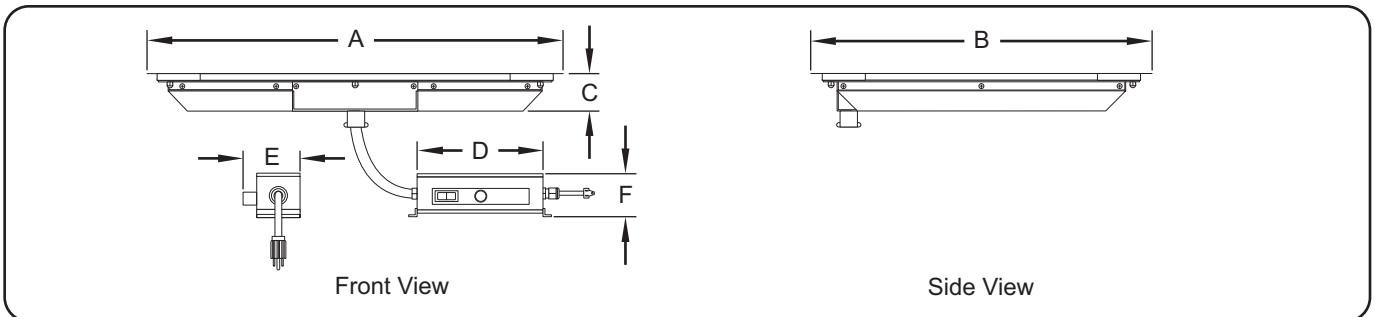
Model	Width (A)	Depth (B)	Height (C)
GRSSB-2418	25-5/8" (651 mm)	19-5/8" (498 mm)	2-1/4" (57 mm)
GRSSB-3018	31-5/8" (803 mm)	19-5/8" (498 mm)	2-1/4" (57 mm)
GRSSB-3618	37-5/8" (956 mm)	19-5/8" (498 mm)	2-1/4" (57 mm)
GRSSB-4818	49-5/8" (1260 mm)	19-5/8" (498 mm)	2-1/4" (57 mm)
GRSSB-6018	61-5/8" (1565 mm)	19-5/8" (498 mm)	2-1/4" (57 mm)
GRSSB-7218	73-5/8" (1870 mm)	19-5/8" (498 mm)	2-1/4" (57 mm)

	Width (D)	Depth (E)	Height (F)
Remote Box (Standard)	7" (178 mm)	3" (76 mm)	3-1/4" (83 mm)

*NOTE: See the OPTIONS AND ACCESSORIES section for dimension information for flush-style remote mounted control enclosures.*

**NOTICE**

**Refer to the INSTALLATION section of this manual for actual countertop cutout dimensions.**



Dimensions—GRSSB Model

## General

Use the following procedures to install the GRSS, GRSSR, and GRSSB units.



### WARNING

**ELECTRIC SHOCK HAZARD:** Unit is not weatherproof. Locate the unit indoors where the ambient air temperature is a minimum of 70°F (21°C).

**FIRE HAZARD:** Locate unit a minimum of 1" (25 mm) from combustible walls and materials. If safe distances are not maintained, combustion or discoloration could occur.



### CAUTION

Locate unit at proper counter height in an area that is convenient for use. Location should be level to prevent unit or its contents from falling accidentally and strong enough to support the weight of the unit and contents.

### NOTICE

The National Sanitation Foundation (NSF) requires that units over 36" (914 mm) in width or weighing more than 80 lbs. (36 kg) either be sealed to or raised above the installation surface. If unit cannot be sealed at the point of use, 4" (102 mm) legs are included to allow for proper cleaning access below unit.

Do not lay unit on the side with the control panel. Damage to unit could occur.

## GRSS and GRSSR Models

1. Remove the unit from the box.

*NOTE: To prevent delay in obtaining warranty coverage, complete online warranty registration. See the IMPORTANT OWNER INFORMATION section for details.*

2. Remove tape and protective packaging from all surfaces of unit.

*NOTE: If 4" (102 mm) legs are required, refer to the OPTIONS AND ACCESSORIES section in this manual for installation instructions. 4" legs are included with models greater than 36" (914 mm) in width.*

3. Place the unit in the desired location.
  - Locate the unit in an area where the ambient air temperature is constant and a minimum of 70°F (21°C). Avoid areas that may be subject to active air movements or currents (i.e., near exhaust fans/hoods, air conditioning ducts, and exterior doors).
  - Make sure the unit is at the proper counter height in an area convenient for use.
  - Make sure the countertop is level and strong enough to support the weight of the unit and food product.
  - Make sure all the feet on the bottom of the unit are positioned securely on the countertop.
4. Install any accessories that came with the unit. Refer to the OPTIONS AND ACCESSORIES section for details.

## GRSSB Models

1. Remove the unit from the box.

*NOTE: To prevent delay in obtaining warranty coverage, complete online warranty registration. See the IMPORTANT OWNER INFORMATION section for details.*

2. Remove tape and protective packaging from all surfaces of unit.

### NOTICE

Unit is designed and recommended for use in or on metallic countertops. Damage to any countertop material caused by heat generated from Hatco equipment is not covered under the Hatco warranty. Verify with the manufacturer that the material is suitable for prolonged temperatures up to 200°F (93°C).

3. Prepare the countertop opening. Refer to the "GRSSB Countertop Cutout Chart" in this section for recommended countertop cutout dimensions.

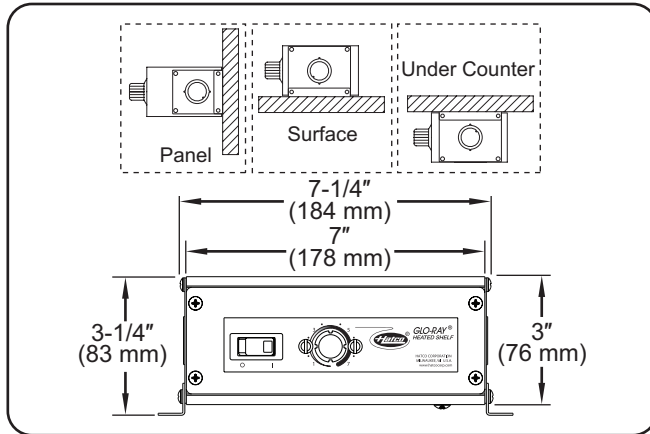
*NOTE: Refer to the OPTIONS AND ACCESSORIES section for installation and operation information for GRSSB units equipped with remote mounted control panel.*

4. Apply a bead of National Sanitation Foundation (NSF)-approved sealant on the top edge of the countertop cutout and the underside of the trim mounting ring. The sealant must be rated for use at a minimum temperature of 250° F (121° C).
5. Place the unit into the countertop opening.
6. Remove any excess sealant.
7. Locate the remote control box assembly in an area that is convenient for operation. If desired or necessary, the control box can be mounted in a semi-remote location.

- Remove the control box from the bottom of the unit.
- If necessary, remove the end brackets from the control box, rotate/reposition, and re-secure to the control box.
- The control box can be panel, surface, or under counter mounted.
- The distance the control box can be mounted from the unit is determined by the 3' (914 mm) conduit (optional conduit lengths of 6' [1829 mm] and 10' [3048 mm] are also available with electronic controls). Do not pull the conduit tight to increase the mounting distance. The conduit should have some slack after the control box is mounted.

*NOTE: The remote control box should be mounted using screws with a 1/4" (6 mm) minimum diameter screw head inserted through the keyholes located on the mounting brackets. The remote control box is to be readily removable—not permanently mounted.*





Control Box Mounting Options

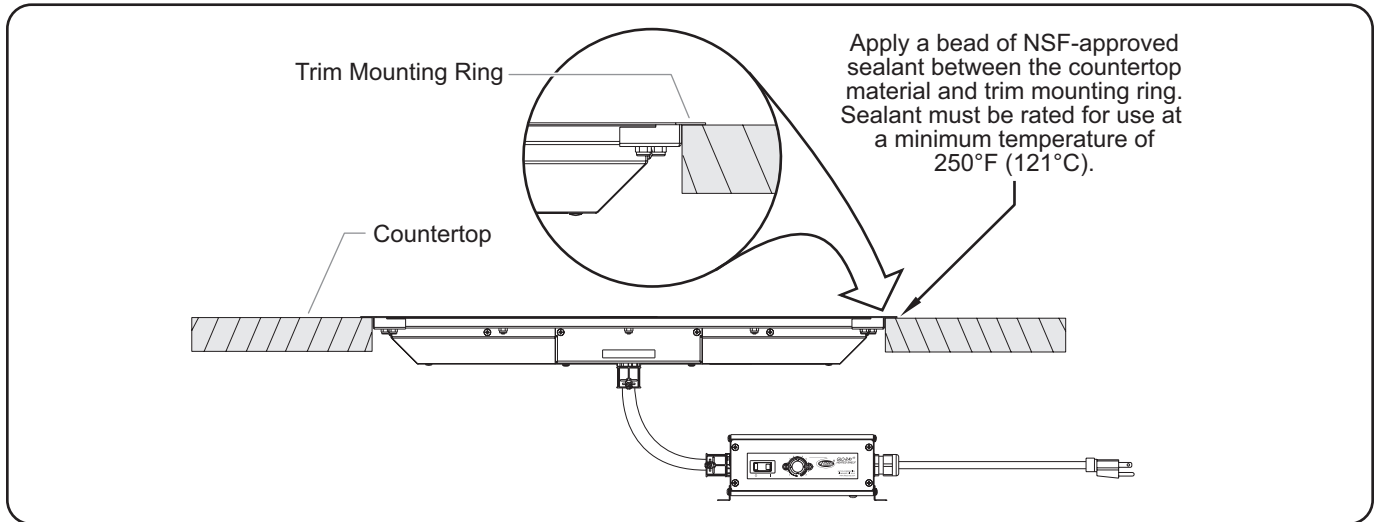
**NOTICE**

Do not modify wiring or cut thermostat capillary on control box to increase remote mounting distance. Cutting thermostat capillary will cause unit to overheat and may damage unit as well as surrounding countertop.

8. Once all components are secured, proceed to the OPERATION section.

NOTE: A 6' (1829 mm) cord is supplied with this unit; any excess cord should be routed neatly so it does not hang down.

**GRSSB Built-In Installation**



GRSSB Built-In Installation

**GRSSB Countertop Cutout Chart**

Model	Width	Depth
GRSSB-2418	24-5/8" (625 mm) – 24-7/8" (632 mm)	18-5/8" (473 mm) – 18-7/8" (479 mm)
GRSSB-3018	30-5/8" (778 mm) – 30-7/8" (784 mm)	18-5/8" (473 mm) – 18-7/8" (479 mm)
GRSSB-3618	36-5/8" (930 mm) – 36-7/8" (937 mm)	18-5/8" (473 mm) – 18-7/8" (479 mm)
GRSSB-4818	48-5/8" (1235 mm) – 48-7/8" (1241 mm)	18-5/8" (473 mm) – 18-7/8" (479 mm)
GRSSB-6018	60-5/8" (1540 mm) – 60-7/8" (1546 mm)	18-5/8" (473 mm) – 18-7/8" (479 mm)
GRSSB-7218	72-5/8" (1845 mm) – 72-7/8" (1851 mm)	18-5/8" (473 mm) – 18-7/8" (479 mm)

## General

Use the following procedure to turn on and operate the GRSS, GRSSR, and GRSSB units.

### **⚠ WARNING**

Read all safety messages in the **IMPORTANT SAFETY INFORMATION** section before operating this equipment.

### Startup

1. Clean and sanitize the stone surface using a clean, damp cloth and a sanitizer approved for food contact surfaces.
2. Plug unit into a properly grounded electrical receptacle of the correct voltage, size, and plug configuration. See SPECIFICATIONS section in this manual for details.
3. Move the Power I/O (on/off) switch to the I (on) position.

### **⚠ CAUTION**

**BURN HAZARD: Some exterior surfaces on the unit will get hot. Use caution when touching these areas.**

4. Turn the Temperature Control to the desired temperature setting.
  - Turning the Temperature Control knob clockwise will increase the temperature setting. Turning the Temperature Control knob counterclockwise will decrease the temperature setting.
5. Allow the unit 30 minutes to reach operating temperature.

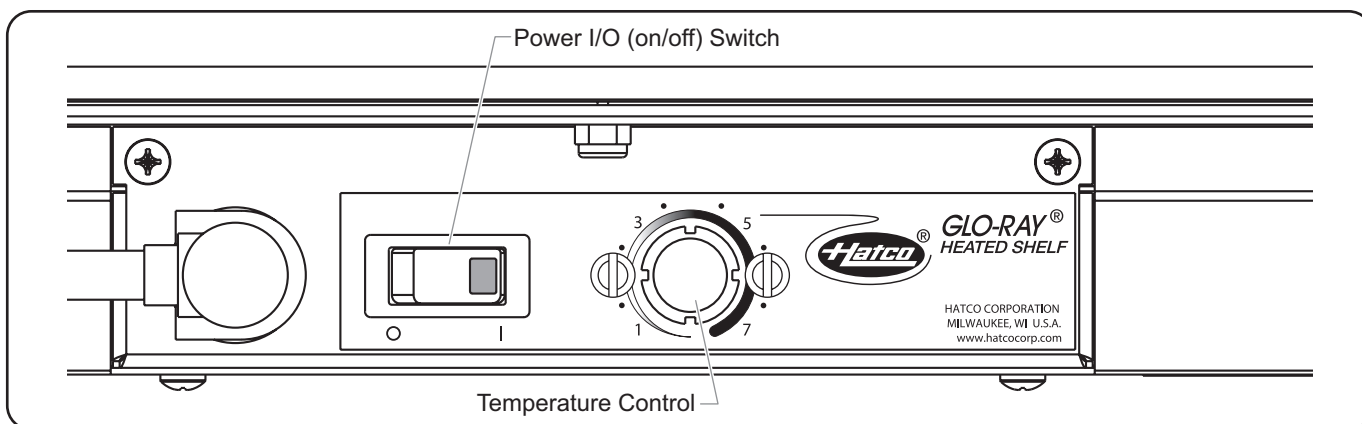
*NOTE: Refer to the OPTIONS AND ACCESSORIES section for installation and operation information for GRSSB units equipped with remote mounted control panel.*

### **NOTICE**

If weight on shelf exceeds 50 lbs. (23 kg), a deflection up to 5/32" (4 mm) is possible. If weight on shelf exceeds 100 lbs. (45 kg), a deflection of 1/4" (6 mm) is possible. Shelf is not guaranteed if weight on shelf exceeds 150 lbs. (68 kg). All weight must be distributed evenly across entire shelf.

### Shutdown

1. Move the Power I/O (on/off) switch to the O (off) position and allow the unit to cool completely.
2. Perform the "Daily Cleaning" procedure in the MAINTENANCE section of this manual.



Standard Control Panel—GRSS Model

## General

Hatco Glo-Ray® Heated Stone Shelves are designed for maximum durability and performance, with minimum maintenance.

### WARNING

#### ELECTRIC SHOCK HAZARD:

- Turn OFF power switch, unplug power cord, and allow unit to cool before performing any cleaning, adjustments, or maintenance.
- DO NOT submerge or saturate with water. Unit is not waterproof. Do not operate if unit has been submerged or saturated with water.
- This unit is not “jet-proof” construction. Do not use jet-clean spray to clean this unit.
- Do not steam clean or use excessive water on unit.
- Use only Genuine Hatco Replacement Parts when service is required. Failure to use Genuine Hatco Replacement Parts will void all warranties and may subject operators of the equipment to hazardous electrical voltage, resulting in electrical shock or burn. Genuine Hatco Replacement Parts are specified to operate safely in the environments in which they are used. Some aftermarket or generic replacement parts do not have the characteristics that will allow them to operate safely in Hatco equipment.

This unit has no “user-serviceable” parts. If service is required on this unit, contact an Authorized Hatco Service Agent or contact the Hatco Service Department at 800-558-0607 or 414-671-6350.

## Daily Cleaning

To preserve the finish of the unit as well as maintain performance, it is recommended that the unit be cleaned daily.

### NOTICE

**Use non-abrasive cleaners and cloths only. Abrasive cleaners and cloths could scratch finish of unit, marring its appearance and making it susceptible to soil accumulation.**

1. Before turning on the unit each day, clean and sanitize the stone surfaces using a clean, damp cloth and a sanitizer approved for food contact surfaces. If additional cleaning is necessary, refer to the “Cleaning the Stone Surface” information in this section.
2. At the end of each day:
  - a. Turn off the unit and allow to cool.
  - b. Wipe down all metal surfaces using a clean, damp, non-abrasive cloth.
  - c. Clean and sanitize the stone surfaces using a clean, damp cloth and a sanitizer approved for food contact surfaces. If additional cleaning is necessary, refer to the “Cleaning the Stone Surface” information in this section.

*NOTE: To correct inconsistent staining and discoloration, refer to the “Cleaning the Stone Surface” information in this section.*

- d. Wipe dry with a clean, non-abrasive cloth.

## Cleaning the Stone Surface

Proper use of the products listed below will not damage the stone surface (follow the directions on the product labels).

*NOTE: Stone surfaces are a simulated stone solid surface.*

### CAUTION

**Make sure to clean and sanitize stone surface properly after deep cleaning the surface using abrasives and before placing food product on unit.**

#### Hard to Remove Stains

For hard-to-remove stains, use the supplied abrasive pad along with an abrasive cleaner such as Ajax, Comet, Bon Ami, or Bar Keeper’s Friend. Additional abrasive pads are available from Hatco (P/N 04.39.049.00). **NOTICE: Use supplied abrasive pad on stone surface only.**

*NOTE: Do not use steel wool or metal scouring pads.*

#### Mineral Based Stains

For a mineral-based stain, cleaners designed to remove iron or rust are recommended and should not harm the stone surface.

#### Scratches

For scratches, use sandpaper starting with the coarsest grit and going to finest grit until the scratch disappears. Blend area in with the supplied abrasive pad.



**WARNING**

This unit must be serviced by trained and qualified personnel only. Service by unqualified personnel may lead to electric shock or burn.



**WARNING**

**ELECTRIC SHOCK HAZARD:** Turn OFF power switch, unplug power cord, and allow unit to cool before performing any cleaning, adjustments, or maintenance.

Symptom	Probable Cause	Corrective Action
Unit too hot.	Temperature Control set too high.	Change the temperature setting to a lower setting.
	Unit plugged into incorrect power supply.	Verify with qualified personnel that power supply matches unit specification.
	Temperature Control defective.	Contact Authorized Service Agent or Hatco for assistance.
Unit not hot enough.	Temperature Control set too low.	Change the temperature setting to a higher setting.
	Location of unit is susceptible to air currents (air conditioning ducts or exhaust fans).	Block air currents or relocate unit.
Unit not working at all.	Unit not plugged in.	Plug unit into proper power supply.
	Unit not turned on.	Move Power I/O (on/off) switch to the I (on) position.
	Power I/O (on/off) switch defective.	Contact Authorized Service Agent or Hatco for assistance..
	Temperature Control defective.	
	Base heating element burned out.	
Stone surface material is stained, discolored, or has inconsistent staining/discoloration.	Stone surface is not being cleaned properly.	Clean surface using the "Cleaning the Stone Surface" information in the MAINTENANCE section of this manual. If these methods fail to produce acceptable results, contact Hatco for assistance.
Shelf is flexing.	Excessive weight on shelf.	Distribute weight evenly on entire shelf. If weight on the shelf exceeds 50 lbs. (23 kg), a deflection up to 5/32" (4 mm) is possible. If weight on the shelf exceeds 100 lbs. (45 kg), a deflection of 1/4" (6 mm) is possible. The shelf is not guaranteed if weight on shelf exceeds 150 lbs. (68 kg).

### Troubleshooting Questions?

If you continue to have problems resolving an issue, please contact the nearest Authorized Hatco Service Agency or Hatco for assistance. To locate the nearest Service Agency, log onto the Hatco website at [www.hatcocorp.com](http://www.hatcocorp.com), select the *Support* pull-down menu, and click on "Find A Service Agent"; or contact the **Hatco Parts and Service Team** at:

**Telephone: 800-558-0607 or 414-671-6350**

**e-mail: [support@hatcocorp.com](mailto:support@hatcocorp.com)**

### 4" (102 mm) Adjustable Legs (GRSS Model)

Use the following procedure to install 4" (102 mm) adjustable legs in place of the rubber feet on a GRSS unit.

*NOTE: 4" (102 mm) legs are included with models greater than 36" (914 mm) in width.*

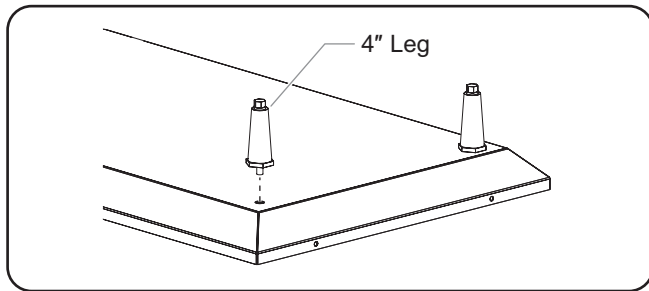
#### **⚠ WARNING**

**ELECTRIC SHOCK HAZARD: Turn power switch OFF, unplug power cord, and allow unit to cool before performing any maintenance or cleaning.**

#### **NOTICE**

**Do not lay unit on the side with the control panel or damage to unit could occur.**

1. Turn off the unit, unplug the power cord, and allow the unit to cool.
2. Carefully turn the unit upside down and lay the unit on a flat surface. Make sure to cover the surface with something to prevent scratching the stone surface.
3. At each corner of the base, remove the foot screw and rubber foot.



Installing the 4" Legs

4. At each corner of the base, screw a 4" leg into the bottom of the base.

*NOTE: The feet on the 4" legs are adjustable for leveling the unit. Use a 5/8" (16 mm) open-end wrench to make leveling adjustments once the unit is placed in its final position.*

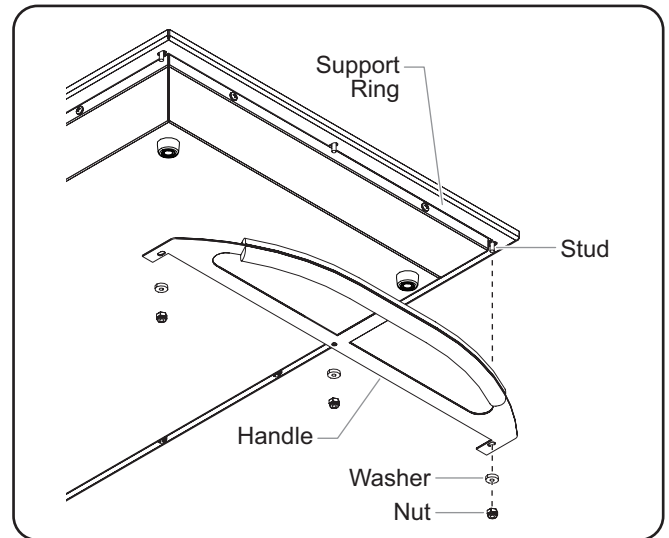
### Handles (GRSS Models only)

Designer black powdercoated rounded stainless steel handles are available for GRSS models.

The handles are field retrofittable and are installed onto each end of the unit using the following procedure.

On each end of the unit:

1. Remove the three nuts and washers located on the underside of the stone surface support ring.
2. Align the three holes on the handle with the three studs on the support ring, and position the handle on the studs.
3. Replace the three nuts and washers onto the studs, and tighten securely.



Handle Installation

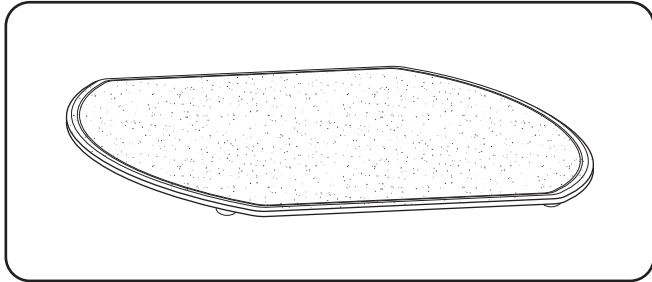
### Recessed Top for GRSSB Models

An optional recessed top is available for GRSSB models. Units with a recessed top allows the heated surface to sit lower than countertop surface.

## Cutting Board (GRSSR Models only)

The cutting board comes equipped with rubber feet on the bottom to center it on the unit.

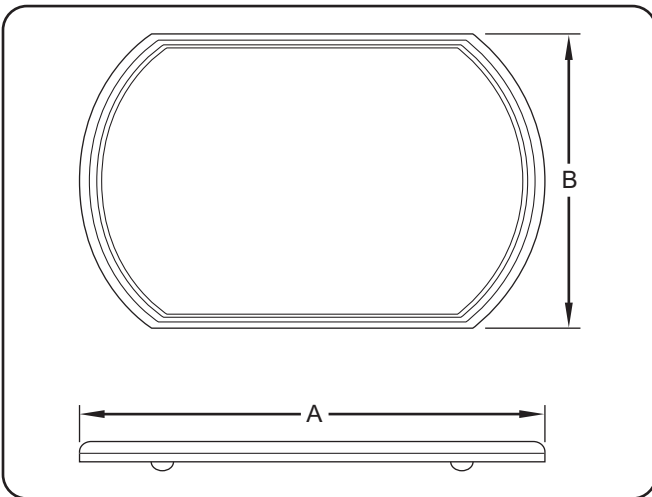
The cutting board is made of the same material as the heated stone surface and is available in the same colors.



Cutting Board

### Cutting Board Dimensions

Model	Width (A)	Depth (B)
GRSSR-16	17" (432 mm)	11-3/4" (298 mm)
GRSSR-18	19" (483 mm)	13-3/4" (349 mm)
GRSSR-20	21" (533 mm)	15-3/4" (400 mm)



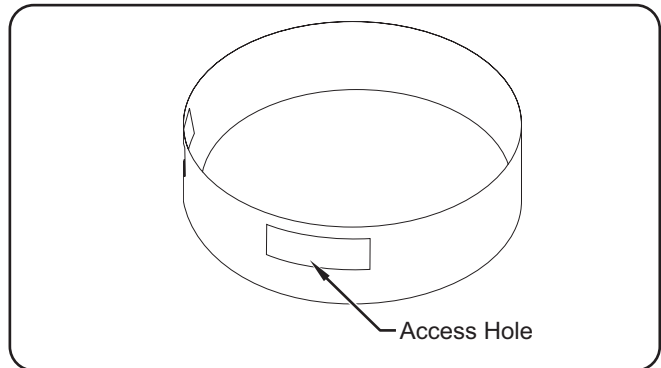
Cutting Board Dimensions

## Risers (GRSSR Models only)

Steel risers are available to increase the height of GRSSR units. They are available in 3" (76 mm) and 5" (127 mm) heights in several colors and in stainless steel.

To install the riser:

1. Place the riser in the desired location on the countertop.
2. Thread the power cord of the GRSSR unit through one of the access holes in the riser.
3. Set the GRSSR unit inside the riser. Make sure the controls are accessible through the access holes in the riser.



Model GRSSR 5" (127 mm) Riser

## Flush Remote Mounted Control Enclosures (GRSSB Models only)

Two flush-style remote mounted control enclosures are available for the GRSSB model — the Mechanical Temperature Control enclosure and the Digital Temperature Controller enclosure. Both enclosures are installed using the following procedure.

### ⚠ WARNING

**ELECTRIC SHOCK HAZARD: Remote mounted control enclosure must be mounted on a vertical wall and installed in vertical position. Mounting control enclosure in horizontal position may result in collection of liquids and lead to an electric shock.**

### NOTICE

**Install remote mounted control enclosure outside of heat zone. Locating control enclosure inside heat zone will cause control(s) to overheat, malfunction, and fail.**

**Do not modify wiring or cut thermostat capillary on control box to increase remote mounting distance. Cutting thermostat capillary will cause unit to overheat and may damage unit as well as surrounding countertop.**

*NOTE: A qualified electrician is recommended for connecting the units to a power source.*

1. Prepare cutout and pre-drill screw holes.
2. Remove trim cover from control enclosure assembly.
3. Position control enclosure into opening through the backside.
4. Secure control enclosure to mounting surface using screws (not supplied).
5. Connect proper power source to the mounted remote control enclosure.
6. Reinstall trim cover.

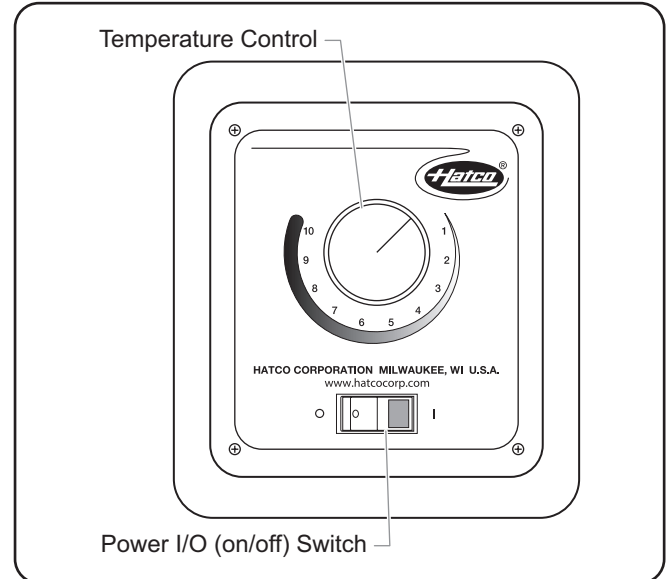
*NOTE: Units are equipped with a 3' (914 mm) flexible conduit connecting the control enclosure to the unit. The digital temperature controller also offers 6' (1829 mm) and 10' (3048 mm) conduit lengths.*

## Power I/O (on/off) Switch

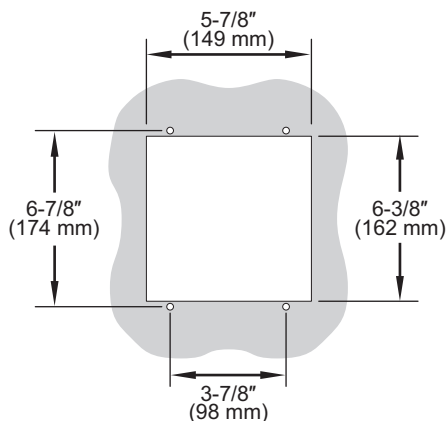
Both flush-style remote mounted control enclosures are equipped with a Power I/O (on/off) switch. Move the Power I/O (on/off) switch to the I (on) position to turn on the unit. The indicator light in the switch glows when the unit is on.

## Changing the Setpoint Temperature — Mechanical Temperature Control

Turn the temperature control clockwise to increase the setpoint temperature. Turn the temperature control counterclockwise to decrease the setpoint temperature.



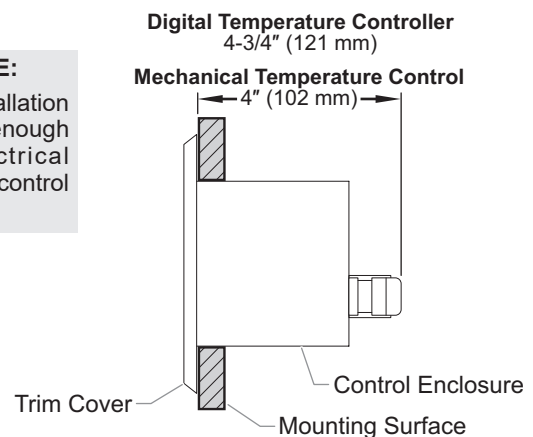
Mechanical Temperature Control



Front View of Cutout

### IMPORTANT NOTE:

Make sure the installation location provides enough room for electrical connections to the control enclosure.



Side View of Installed Enclosure

Optional Remote Mounted Control Enclosure Installation Dimensions






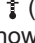
## Changing the Setpoint Temperature — Digital Temperature Controller

Units equipped with a digital temperature controller will heat up to the setpoint temperature automatically when they are turned on. Use the following procedure to change the setpoint temperature.

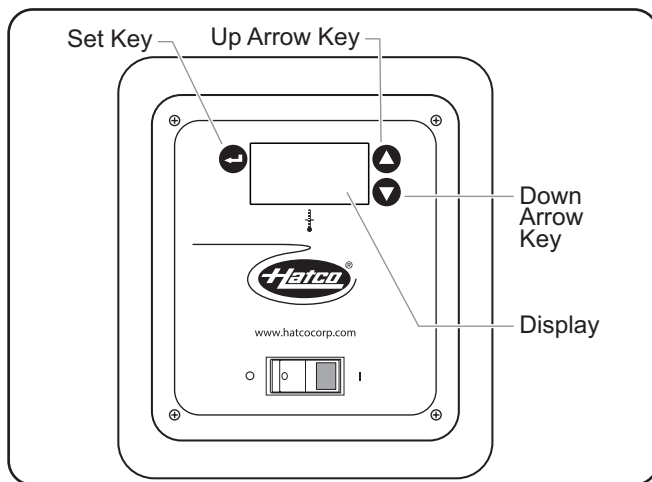
### NOTICE

**Built-in units must not have a setpoint temperature higher than 200°F (93°C). Temperatures exceeding 200°F will damage unit and void warranty.**

*NOTE: The temperature shown on the display may be inaccurate when unit temperature is below 130°F (54°C).*

1. Press the  key three times. The current setpoint temperature will be shown on the  (temperature) display ("SP" will be displayed after the second press).
2. Press the  key or  key within 10 seconds to change the setpoint temperature.
3. Press the  key to lock in the new setpoint temperature. The  (temperature) display will go blank for two seconds to show that the new setting has been accepted.





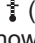
*NOTE: After 10 seconds of inactivity during the programming process, the controller will exit programming mode automatically without saving any changes.*



Digital Temperature Controller

## Changing Fahrenheit and Celsius Setting — Digital Temperature Controller

Use the following procedure to change between Fahrenheit and Celsius on the display.

1. Press the  key once. Either an "F" for Fahrenheit or "C" for Celsius will be displayed.
2. Press the  key or  key within 10 seconds to change between "F" (Fahrenheit) and "C" (Celsius).
3. Press the  key three times to lock in the new setting. The  (temperature) display will go blank for two seconds to show that the new setting has been accepted.

*NOTE: After 10 seconds of inactivity during the programming process, the controller will exit programming mode automatically without saving any changes.*

## Small Control Boxes

Two small-sized, flush mount control boxes are available for the GRSSB model — the Mechanical Temperature Control enclosure and the Digital Temperature Controller enclosure. Both enclosures are installed using the following procedure.

### WARNING

**ELECTRIC SHOCK HAZARD: Remote mounted control box must be mounted on a vertical wall and installed in vertical position. Mounting control box in horizontal position may result in collection of liquids and lead to an electric shock.**

### NOTICE

**Do not modify wiring or cut thermostat capillary on control box to increase remote mounting distance. Cutting thermostat capillary will cause unit to overheat and may damage unit as well as surrounding countertop.**

**Do not install remote mounted control box in an area subject to temperatures above 29°C (85°F). Excessive temperatures will cause control(s) to overheat, malfunction, and fail.**

1. Prepare the small control box opening. Make sure the control box cutout is within reach of the 1829 mm (6') control box conduit from the unit.
  - a. Refer to the "Small Control Box Installation Dimensions" illustration for cutout and screw hole dimensions.
  - b. Perform the cutout and pre-drill the screw holes.

### IMPORTANT NOTE

Make sure the installation location provides enough room for electrical connections to the control box.

2. Install the unit into the countertop opening:
  - a. Pass the small control box through the countertop opening.
  - b. Place the unit into the countertop opening.
3. Pass the small control box through the control box opening so it can be mounted to the front of the mounting surface.
4. Position the small control box into the cutout opening from the front.
  - Align the holes in the control box with the pre-drilled holes in the mounting surface.
5. Secure the small control box to the mounting surface using four screws (not supplied).

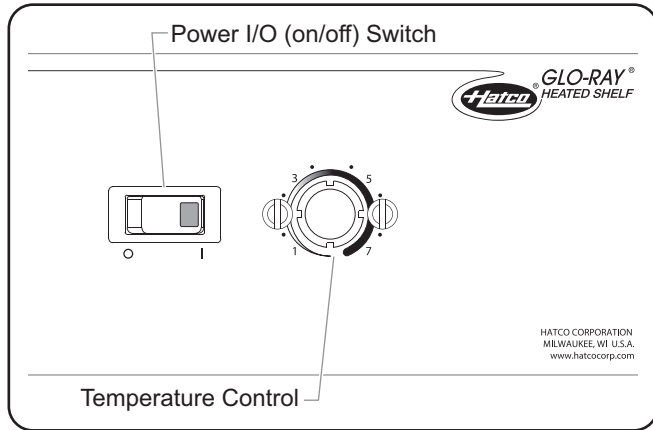
## Power I/O (on/off) Switch

Both remote mounted control boxes are equipped with a Power I/O (on/off) switch. Move the Power I/O (on/off) switch to the I (on) position to turn on the unit. The indicator light in the switch glows when the unit is on.



### Changing the Setpoint Temperature — Mechanical Temperature Control

Turn the temperature control clockwise to increase the setpoint temperature. Turn the temperature control counterclockwise to decrease the setpoint temperature.



Mechanical Temperature Control—Small Control Box

### Changing the Setpoint Temperature — Digital Temperature Controller

Units equipped with a digital temperature controller will heat up to the setpoint temperature automatically when they are turned on. Use the following procedure to change the setpoint temperature.

**NOTICE**

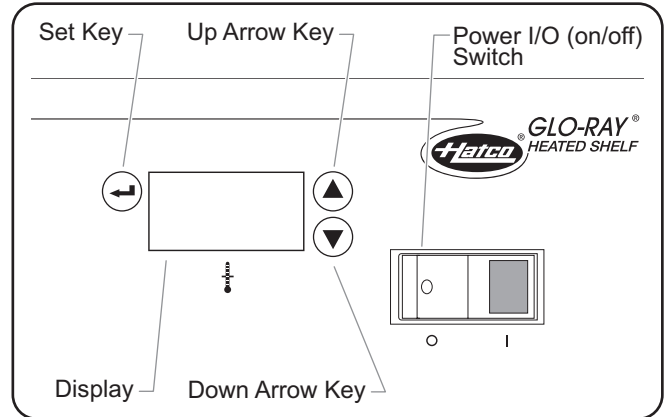
**Built-in units must not have a setpoint temperature higher than 200°F (93°C). Temperatures exceeding 200°F will damage unit and void warranty.**

*NOTE: The temperature shown on the (temperature) display may be inaccurate when unit temperature is below 130°F (54°C).*

1. Press the (left arrow) key three times. The current setpoint temperature will be shown on the (temperature) display ("SP" will be displayed after the second press).
2. Press the (up arrow) key or (down arrow) key within 10 seconds to change the setpoint temperature.

3. Press the (right arrow) key to lock in the new setpoint temperature. The (temperature) display will go blank for two seconds to show that the new setting has been accepted.

*NOTE: After 10 seconds of inactivity during the programming process, the controller will exit programming mode automatically without saving any changes.*



Digital Temperature Controller—Small Control Box

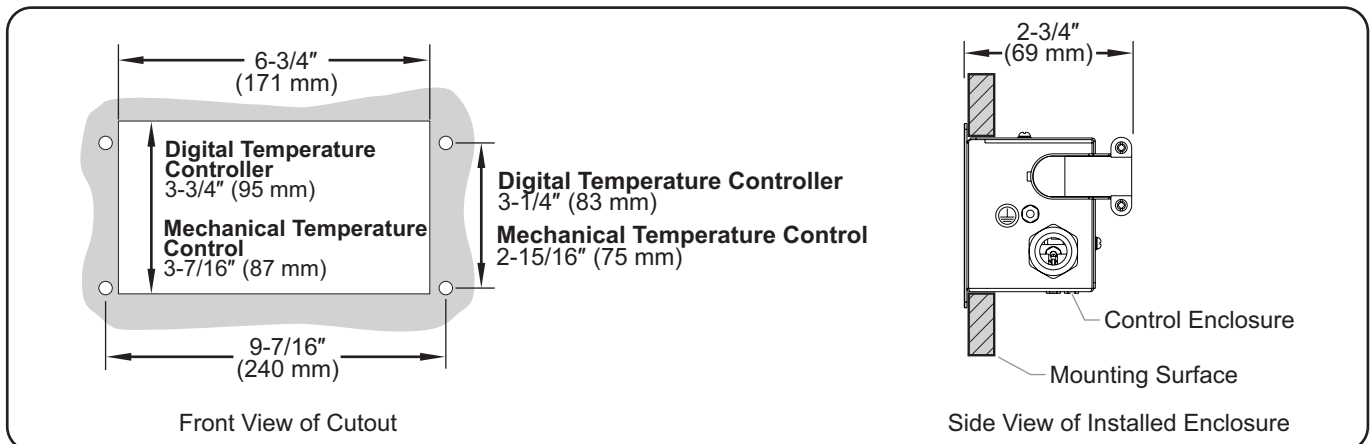
### Changing Fahrenheit and Celsius Setting — Digital Temperature Controller

Use the following procedure to change between Fahrenheit and Celsius on the display.

1. Press the (right arrow) key once. Either an "F" for Fahrenheit or "C" for Celsius will be displayed.
2. Press the (up arrow) key or (down arrow) key within 10 seconds to change between "F" (Fahrenheit) and "C" (Celsius).
3. Press the (right arrow) key three times to lock in the new setting. The (temperature) display will go blank for two seconds to show that the new setting has been accepted.

*NOTE: After 10 seconds of inactivity during the programming process, the controller will exit programming mode automatically without saving any changes.*

### Small Control Box Installation Dimensions



## 1. PRODUCT WARRANTY

Hatco warrants the products that it manufactures (the "Products") to be free from defects in materials and workmanship, under normal use and service, for a period of one (1) year from the date of purchase when installed and maintained in accordance with Hatco's written instructions or 18 months from the date of shipment from Hatco. Buyer must establish the Product's purchase date by registering the Product with Hatco or by other means satisfactory to Hatco in its sole discretion.

Hatco warrants the following Product components to be free from defects in materials and workmanship from the date of purchase (subject to the foregoing conditions) for the period(s) of time and on the conditions listed below:

**a) One (1) Year Parts and Labor PLUS One (1) Additional Year Parts-Only Warranty:**

Conveyor Toaster Elements (metal sheathed)  
Drawer Warmer Elements (metal sheathed)  
Drawer Warmer Drawer Rollers and Slides  
Strip Heater Elements (metal sheathed)  
Display Warmer Elements (metal sheathed air heating)  
Holding Cabinet Elements (metal sheathed air heating)  
Heated Well Elements — HW and HWB Series  
(metal sheathed)

**b) Two (2) Year Parts and Labor Warranty:**

Induction Ranges  
Induction Warmers

**c) One (1) Year Parts and Labor PLUS Four (4) Years Parts-Only Warranty:**

3CS and FR Tanks

**d) One (1) Year Parts and Labor PLUS Nine (9) Years Parts-Only Warranty on:**

Electric Booster Heater Tanks  
Gas Booster Heater Tanks

**e) Ninety (90) Day Parts-Only Warranty:**

Replacement Parts

THE FOREGOING WARRANTIES ARE EXCLUSIVE AND IN LIEU OF ANY OTHER WARRANTY, EXPRESSED OR IMPLIED, INCLUDING BUT NOT LIMITED TO ANY IMPLIED WARRANTY OF MERCHANTABILITY OR FITNESS FOR A PARTICULAR PURPOSE OR PATENT OR OTHER INTELLECTUAL PROPERTY RIGHT INFRINGEMENT. Without limiting the generality of the foregoing, SUCH WARRANTIES DO NOT COVER: Coated incandescent light bulbs, fluorescent lights, heat lamp bulbs, coated halogen light bulbs, halogen heat lamp bulbs, xenon light bulbs, LED light tubes, glass components, and fuses; Product failure in booster tank, fin tube heat exchanger, or other water heating equipment caused by liming, sediment buildup, chemical attack, or freezing; or Product misuse, tampering or misapplication, improper installation, or application of improper voltage.

## 2. LIMITATION OF REMEDIES AND DAMAGES

Hatco's liability and Buyer's exclusive remedy hereunder will be limited solely, at Hatco's option, to repair or replacement using new or refurbished parts or Product by Hatco or a Hatco-authorized service agency (other than where Buyer is located outside of the United States, Canada, United Kingdom, or Australia, in which case Hatco's liability and Buyer's exclusive remedy hereunder will be limited solely to replacement of part under warranty) with respect to any claim made within the applicable warranty period referred to above. Hatco reserves the right to accept or reject any such claim in whole or in part. In the context of this Limited Warranty, "refurbished" means a part or Product that has been returned to its original specifications by Hatco or a Hatco-authorized service agency. Hatco will not accept the return of any Product without prior written approval from Hatco, and all such approved returns shall be made at Buyer's sole expense. HATCO WILL NOT BE LIABLE, UNDER ANY CIRCUMSTANCES, FOR CONSEQUENTIAL OR INCIDENTAL DAMAGES, INCLUDING BUT NOT LIMITED TO LABOR COSTS OR LOST PROFITS RESULTING FROM THE USE OF OR INABILITY TO USE THE PRODUCTS OR FROM THE PRODUCTS BEING INCORPORATED IN OR BECOMING A COMPONENT OF ANY OTHER PRODUCT OR GOODS.

<b>Informations Importantes pour le Propriétaire .....</b>	<b>19</b>	<b>Mode d'emploi .....</b>	<b>27</b>
<b>Introduction.....</b>	<b>19</b>	Généralités .....	27
<b>Consignes de Sécurité Importantes .....</b>	<b>20</b>	<b>Maintenance.....</b>	<b>28</b>
<b>Description du Modèle.....</b>	<b>21</b>	Généralités .....	28
<b>Désignation du Modèle.....</b>	<b>22</b>	Nettoyage quotidien.....	28
<b>Caractéristiques Techniques .....</b>	<b>22</b>	Nettoyer la surface en pierre.....	28
Configuration des Fiches.....	22	<b>Guide de Dépannage.....</b>	<b>29</b>
Tableau des valeurs nominales électriques .....	22	<b>Options et accessoires.....</b>	<b>30</b>
Dimensions.....	23	<b>Garantie Limitée .....</b>	<b>35</b>
<b>Installation.....</b>	<b>25</b>	<b>Autorisés Distributeurs de Pièces.....</b>	<b>Couverture Arrière</b>
Modèles GRSS et GRSSR.....	25		
Modèles GRSSB .....	25		

## INFORMATIONS IMPORTANTES POUR LE PROPRIÉTAIRE

Noter le numéro de modèle, le numéro de série (étiquette des caractéristiques techniques en dessous du modèle GRSS et en dessous du boîtier de commande des modèles GRSSB et GRSSR), le voltage et la date d'achat de votre appareil ci-dessous. Veuillez avoir cette information à portée de la main si vous appelez Hatco pour assistance.

Modèle No. \_\_\_\_\_

Numéro de série \_\_\_\_\_

Voltage \_\_\_\_\_

Date d'achat \_\_\_\_\_

### Enregistrez votre appareil!

Remplissez la garantie en ligne pour éviter les retards pour faire jouer la garantie. Accédez au site Web Hatco [www.hatcocorp.com](http://www.hatcocorp.com), sélectionnez le menu déroulant *Support (Assistance)*, puis cliquez sur « Warranty » (Garantie).

### Horaires

ouvrables : 7h00 à 17h00 du lundi au vendredi  
Heure du Centre (CT)  
(Horaires d'été : juin à septembre—  
7h00 à 17h00 du lundi au jeudi  
7h00 à 16h00 le vendredi)

Téléphone: 800-558-0607; 414-671-6350

Courriel: [support@hatcocorp.com](mailto:support@hatcocorp.com)



Service d'assistance et de pièces de rechange disponible 7j/7, 24h/24 aux États-Unis et au Canada en composant le 800-558-0607.

Des renseignements supplémentaires sont disponibles sur notre site Web à [www.hatcocorp.com](http://www.hatcocorp.com).

## INTRODUCTION

La plaque chauffante en pierre Glo-Ray® de Hatco est conçue pour conserver la nourriture préparée au chaud tout en se fondant dans votre décor. Les plaques chauffantes en pierre garderont tous les aliments à une température de service optimale sans nuire à leur qualité. Elles comportent une base chauffante contrôlée par un thermostat afin de prolonger les temps de conservation de la plupart des plats.

Les plaques chauffantes en pierre Glo-Ray sont des produits issus d'une recherche approfondie et d'essais sur le terrain. Les matériaux utilisés ont été sélectionnés pour un maximum de durabilité, d'aspect esthétique et de performance optimum. Chaque appareil est minutieusement inspecté et testé avant expédition.

Ce manuel fournit les instructions d'installation, de sécurité et d'utilisation des plaques chauffantes en pierre. Hatco vous recommande de lire l'ensemble des instructions d'installation, de sécurité et de fonctionnement contenues dans ce manuel avant d'installer et d'utiliser l'appareil.

Les consignes de sécurité qui apparaissent dans ce manuel sont identifiées par les mots indicateurs suivants :

### **AVERTISSEMENT**

**AVERTISSEMENT** indique une situation dangereuse qui, si elle n'est pas évitée, peut provoquer la mort ou des blessures graves.

### **ATTENTION**

**ATTENTION** indique une situation dangereuse qui, si elle n'est pas évitée, peut provoquer des blessures légères ou moyennes.

### **AVIS**

**AVIS** est utilisé pour des questions sans rapport avec des blessures corporelles.

**⚠ Lisez l'information de sécurité importante suivante avant d'utiliser cet équipement pour éviter des dommages ou la mort sérieux et pour éviter d'endommager l'équipement ou la propriété.**

## ⚠ AVERTISSEMENT

### DANGER DE DÉCHARGE ÉLECTRIQUE :

- Brancher l'appareil sur une prise de courant avec terre de tension, de format et de configuration des broches corrects. Si la fiche et la prise ne se correspondent pas, s'adresser à un électricien qualifié pour déterminer et installer une prise de courant de format et de tension corrects.
- Le boîtier de commande monté à distance peut être installé sur un mur vertical en position verticale. L'installation du boîtier de commande en position horizontale peut conduire à une accumulation de liquides et entraîner une décharge électrique.
- Mettez l'unité hors tension depuis l'interrupteur, débranchez le cordon d'alimentation et laissez l'unité refroidir avant d'effectuer tout nettoyage, tout réglage ou tout entretien.
- NE PAS immerger l'appareil ni le saturer d'eau. L'appareil n'est pas étanche à l'eau. Ne pas le faire fonctionner s'il a été immergé ou saturé d'eau.
- Ne pas nettoyer à la vapeur ni utiliser trop d'eau sur l'appareil.
- Cet appareil n'est pas étanche aux jets. Ne pas utiliser de jet sous pression pour nettoyer l'appareil.
- L'appareil n'est pas à l'épreuve des intempéries. Placer l'appareil à l'intérieur à une température ambiante de 21°C (70°F) minimum.
- Ne pas utiliser l'appareil si le cordon est endommagé ou usé.
- Ne pas tirer l'appareil par son cordon électrique.
- Ne pas tenter de réparer ni de changer un cordon électrique endommagé. Ce cordon doit être changé par Hatco, par un réparateur Hatco agréé ou par une personne de qualifications comparables.
- Utilisez uniquement des pièces de rechange d'origine Hatco lorsque l'entretien est nécessaire. Utilisez des pièces détachées Hatco authentiques sous peine d'annuler toutes les garanties et d'exposer l'utilisateur à des tensions électriques dangereuses pouvant entraîner une électrocution ou des brûlures. Les pièces de rechange authentiques Hatco sont spécifiées pour fonctionner en toute sécurité dans les environnements dans lesquels elles sont utilisées. Certaines pièces de rechange génériques ou d'après-vente n'ont pas les caractéristiques qui leur permettent d'opérer en toute sécurité dans les équipements Hatco.

**DANGER D'INCENDIE :** Placez l'unité à au moins 25 mm (1") de murs ou de matières inflammables. Si ces distances de sécurité ne sont pas respectées, une décoloration ou une combustion peut se produire.

Hatco Corporation n'est pas responsable de la température réelle à laquelle les aliments sont servis. Il est de la responsabilité de l'utilisateur de s'assurer que les produits alimentaires sont maintenus et servis à une température sans danger.

## ⚠ AVERTISSEMENT

Assurez-vous que tous les opérateurs ont été formés à l'utilisation sûre et correcte de l'appareil.

S'assurer que la nourriture a été chauffée à une température adaptée à une alimentation saine avant de la placer sur l'appareil. Le non-chauffage des aliments à une température appropriée peut poser un grand risque pour la santé. Cet appareil n'est destiné qu'à maintenir des aliments préchauffés au chaud.

Cet appareil ne doit pas être utilisé par des enfants ou des personnes avec des capacités physiques, sensorielles ou mentales diminuées. Assurez-vous que les enfants sont bien surveillés et tenez-les à l'écart de l'appareil.

La réparation de cet appareil doit être confiée exclusivement à du personnel qualifié. Les réparations par des personnes non qualifiées peuvent provoquer des décharges électriques et des brûlures.

Cet appareil ne contient aucune pièce réparable par l'utilisateur. Si cet appareil doit être réparé, contacter un réparateur Hatco agréé ou le Service après-vente Hatco au 800-558-0607 ou 414-671-6350.

## ⚠ ATTENTION

**DANGER DE BRÛLURE :** Certaines surfaces extérieures de l'appareil deviennent chaudes. Toucher ces zones de l'appareil avec précaution.

Placez l'unité à une hauteur adaptée au comptoir, à un emplacement pratique à utiliser. L'emplacement doit être plan pour éviter que l'unité ou son contenu ne tombe accidentellement, et suffisamment solide pour supporter le poids de l'unité et de son contenu.

Ne pas utiliser les modèles intégrés si la bordure de montage et le boîtier de commande ne sont pas correctement installés comme décrit dans les instructions d'installation.

La National Sanitation Foundation (NSF) exige que les appareils de plus de 914 mm (36") de large ou pesant plus de 36 kg (80 lb) soient fixés sur ou surélevés par rapport à la surface d'installation. Si l'appareil ne peut pas être fixé sur l'emplacement d'utilisation, des pieds de 102 mm (4") sont fournis pour permettre le nettoyage en dessous de l'appareil.

S'assurer de nettoyer et de désinfecter correctement la surface en pierre après avoir nettoyé la surface en profondeur avec des abrasifs et avant de placer des aliments sur l'appareil.

## AVIS

L'appareil est conçu et recommandé pour fonctionner posé sur un comptoir en métal. La garantie Hatco ne couvre pas les dommages faits au comptoir. Pour les autres surfaces, vérifiez auprès de leurs fabricants que le matériau peut supporter de façon durable des températures atteignant 93°C (200°F).

**AVIS**

Les appareils intégrés ne doivent pas atteindre un point de consigne de température supérieur à 93°C (200°F). Les températures dépassant les 93°C endommagent l'appareil et annulent la garantie.

Ne pas modifier le câblage ni couper le tube capillaire du thermostat du boîtier de commande pour augmenter l'éloignement du montage à distance. La coupe du tube capillaire du thermostat fera surchauffer l'appareil et peut l'endommager ainsi que le comptoir qui l'entoure.

Ne couchez pas l'unité sur le côté comportant le panneau de commande. L'unité pourrait être endommagée.

Utilisez seulement des nettoyants non abrasifs et des chiffons doux. Les chiffons et nettoyant abrasifs pourraient érafler la finition de l'unité, entachant son apparence et la rendant susceptible à l'accumulation de saleté.

**AVIS**

Pour déplacer ou installer l'appareil, ne le traînez pas ou ne le faites pas glisser. Soulevez-le avec précaution afin d'éviter que les pieds en caoutchouc ne se détachent.

Si le poids sur la plaque dépasse les 23 kg (50 lb), une déflexion de 4 mm (5/32") maximum est possible. Si le poids sur la plaque dépasse les 45 kg (100 lb), une déflexion de 6 mm (1/4") maximum est possible. La plaque n'est plus garantie si elle doit supporter un poids supérieur à 68 kg (150 lb). Le poids doit être réparti de manière uniforme sur l'ensemble de la plaque.

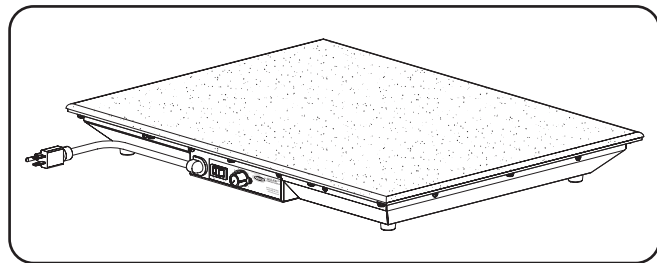
**DESCRIPTION DU MODÈLE****Tous les modèles**

Toutes les plaques chauffantes en pierre Glo-Ray® de Hatco sont idéales pour des passages dans des zones, pour les buffets et pour présenter les hors d'œuvre. Les plaques chauffantes en pierre sont uniques, constituées d'une surface solide imitation pierre et disponibles en plusieurs couleurs. L'équipement standard inclut un interrupteur d'alimentation I/O (marche/arrêt) éclairé, une surface supérieure chauffée en pierre contrôlée par un thermostat et une base en acier peinte.

*NOTA: Se référer à la partie OPTIONS ET ACCESSOIRES de ce manuel pour connaître les options et accessoires disponibles.*

**Modèles GRSS**

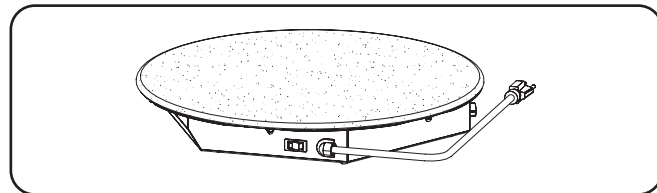
La plaque chauffante en pierre GRSS est une plaque portable reliée à un cordon d'1,829 mm (6') et une prise. L'appareil portable est disponible en six modèles : GRSS-2418, GRSS-3018, GRSS-3618, GRSS-4818, GRSS-6018 et GRSS-7218.



Modèle GRSS

**Modèles GRSSR**

La plaque chauffante en pierre GRSSR est une plaque portable ronde reliée à un cordon de 1,829 mm (6') et une prise. L'appareil portable est disponible en trois modèles : GRSSR-16, GRSSR-18 et GRSSR-20.

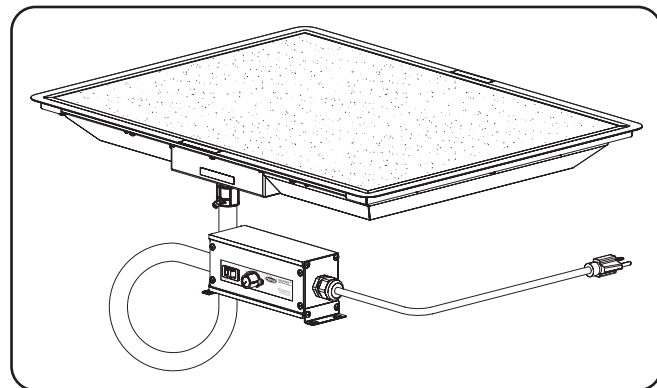


Modèle GRSSR

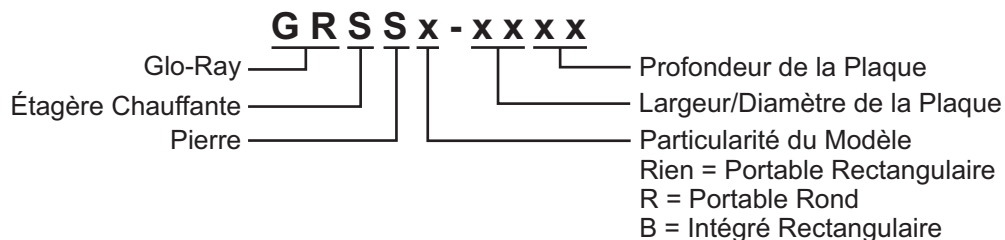
**Modèles GRSSB**

La plaque chauffante en pierre GRSSB est un appareil intégré qui est équipé d'une bordure de montage fixée. L'appareil comprend un boîtier de commande à distance auquel il est relié à l'aide d'une gaine de 914 mm (3'). Un cordon d'alimentation d'1,829 mm (6') doté d'une prise connecte le boîtier de commande à distance à la source d'alimentation.

Les appareils intégrés sont disponibles en six modèles : GRSSB-2418, GRSSB-3018, GRSSB-3618, GRSSB-4818, GRSSB-6018 et GRSSB-7218.



Modèle GRSSB



## CARACTÉRISTIQUES TECHNIQUES

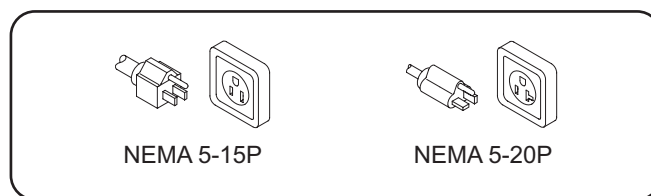
### Configuration des fiches

Les appareils sont livrés avec un cordon électrique avec fiche. Différentes fiches sont fournies selon les applications.

#### **AVERTISSEMENT**

**DANGER DE DÉCHARGE ÉLECTRIQUE :** Brancher l'appareil sur une prise de courant avec terre de tension, de format et de configuration des broches corrects. Si la fiche et la prise ne se correspondent pas, s'adresser à un électricien qualifié pour déterminer et installer une prise de courant de format et de tension corrects.

*NOTA: Étiquette des caractéristiques techniques en dessous du modèle GRSS et en dessous du boîtier de commande des modèles GRSSB et GRSSR. Consultez l'étiquette pour connaître le numéro de série et vérifier les caractéristiques électriques de l'appareil.*



Configuration des fiches

*NOTA: Prise non fournie par Hatco.*

### Tableau des valeurs nominales électriques — GRSS Models

Modèle	Tension	Intensité	Amps	Configuration de Fiches	Poids d'embarquement
GRSS-2418	120	635	5.3	NEMA 5-15P	12 kg (27 lbs.)
GRSS-3018	120	780	6.5	NEMA 5-15P	14 kg (30 lbs.)
GRSS-3618	120	930	7.8	NEMA 5-15P	16 kg (35 lbs.)
GRSS-4818	120	1270	10.6	NEMA 5-15P	20 kg (45 lbs.)
GRSS-6018	120	1560	13.0	NEMA 5-20P	25 kg (56 lbs.)
GRSS-7218	120	1860	15.6	NEMA 5-20P	31 kg (68 lbs.)

*NOTA: Le poids d'embarquement comprend l'emballage.*

Tableau des valeurs nominales électriques — GRSSR Models

Modèle	Tension	Intensité	Amps	Configuration de Fiches	Poids d'embarquement
GRSSR-16	120	250	2.1	NEMA 5-15P	6 kg (14 lbs.)
GRSSR-18	120	325	2.7	NEMA 5-15P	7 kg (16 lbs.)
GRSSR-20	120	400	3.3	NEMA 5-20P	8 kg (18 lbs.)

Tableau des valeurs nominales électriques — GRSSB Models

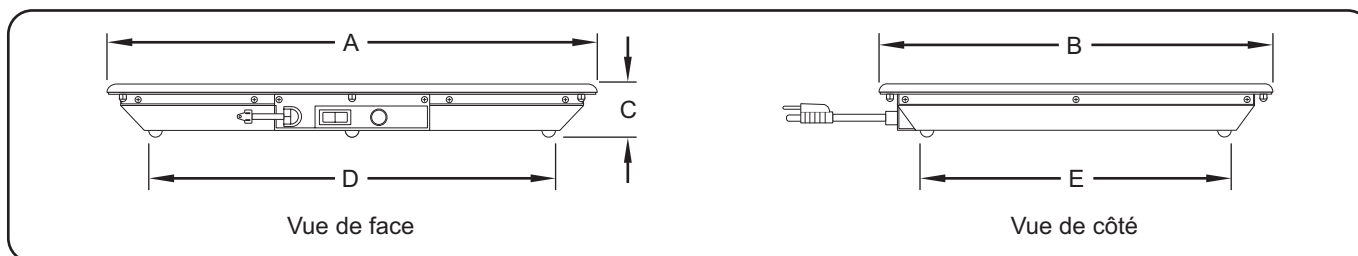
Modèle	Tension	Intensité	Amps	Configuration de Fiches	Poids d'embarquement
GRSSB-2418	120	635	5.3	NEMA 5-15P	14 kg (30 lbs.)
GRSSB-3018	120	780	6.5	NEMA 5-15P	16 kg (35 lbs.)
GRSSB-3618	120	930	7.8	NEMA 5-15P	18 kg (40 lbs.)
GRSSB-4818	120	1270	10.6	NEMA 5-15P	23 kg (51 lbs.)
GRSSB-6018	120	1560	13.0	NEMA 5-20P	25 kg (56 lbs.)
GRSSB-7218	120	1860	15.6	NEMA 5-20P	32 kg (70 lbs.)

NOTA: Le poids d'embarquement comprend l'emballage.

Dimensions — Série GRSS

Modèle	Largeur (A)	Profondeur (B)	Hauteur (C)	Empattement Largeur (D)	Empattement Profondeur (E)
GRSS-2418	606 mm (23-7/8")	454 mm (17-7/8")	64 mm (2-1/2")	502 mm (19-3/4")	349 mm (13-3/4")
GRSS-3018	759 mm (29-7/8")	454 mm (17-7/8")	64 mm (2-1/2")	654 mm (25-3/4")	349 mm (13-3/4")
GRSS-3618	911 mm (35-7/8")	454 mm (17-7/8")	64 mm (2-1/2")	806 mm (31-3/4")	349 mm (13-3/4")
GRSS-4818*	1216 mm (47-7/8")	454 mm (17-7/8")	159 mm (6-1/4")	1086 mm (42-3/4")	324 mm (12-3/4")
GRSS-6018*	1521 mm (59-7/8")	454 mm (17-7/8")	159 mm (6-1/4")	1391 mm (54-3/4")	324 mm (12-3/4")
GRSS-7218*	1826 mm (71-7/8")	454 mm (17-7/8")	159 mm (6-1/4")	1695 mm (66-3/4")	324 mm (12-3/4")

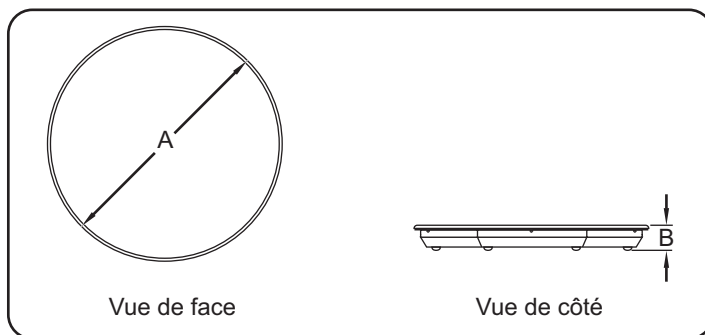
\* La hauteur comprend les pieds de 102 mm (4").



GRSS Dimensions

## Dimensions — Séries GRSSR

Modèle	Diamètre (A)	Hauteur (B)
GRSSR-16	406 mm (16")	67 mm (2-5/8")
GRSSR-18	457 mm (18")	67 mm (2-5/8")
GRSSR-20	508 mm (20")	67 mm (2-5/8")



GRSSR Dimensions

## Dimensions — Séries GRSSB

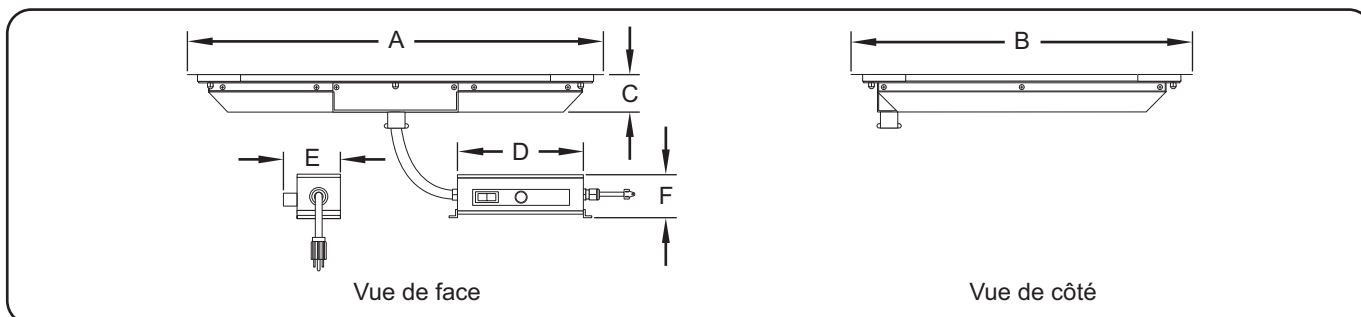
Modèle	Largeur (A)	Profondeur (B)	Hauteur (C)
GRSSB-2418	651 mm (25-5/8")	498 mm (19-5/8")	57 mm (2-1/4")
GRSSB-3018	803 mm (31-5/8")	498 mm (19-5/8")	57 mm (2-1/4")
GRSSB-3618	956 mm (37-5/8")	498 mm (19-5/8")	57 mm (2-1/4")
GRSSB-4818	1260 mm (49-5/8")	498 mm (19-5/8")	57 mm (2-1/4")
GRSSB-6018	1565 mm (61-5/8")	498 mm (19-5/8")	57 mm (2-1/4")
GRSSB-7218	1870 mm (73-5/8")	498 mm (19-5/8")	57 mm (2-1/4")

	Largeur (D)	Profondeur (E)	Hauteur (F)
Boîtier à distance (standard)	178 mm (7")	76 mm (3")	83 mm (3-1/4")

NOTA: Consulter la partie OPTIONS ET ACCESSOIRES pour connaître les dimensions des boîtiers de commande encastrés montés à distance.

### AVIS

Se référer à la partie INSTALLATION de ce manuel pour connaître les dimensions réelles de la découpe dans le comptoir.



GRSSB Dimensions



## Généralités

Suivre les procédures suivantes pour monter les appareils GRSS, GRSSR et GRSSB.

### AVERTISSEMENT

**DANGER DE DÉCHARGE ÉLECTRIQUE :** L'appareil n'est pas à l'épreuve des intempéries. Placer l'appareil à l'intérieur à une température ambiante de 21°C minimum.

**DANGER D'INCENDIE :** Placer l'appareil à un minimum de 25 mm des parois et matières combustibles. Si une distance sûre n'est pas maintenue, la chaleur peut provoquer une combustion ou une altération de couleur.

### ATTENTION

Placez l'unité à une hauteur adaptée au comptoir, à un emplacement pratique à utiliser. L'emplacement doit être plan pour éviter que l'unité ou son contenu ne tombe accidentellement, et suffisamment solide pour supporter le poids de l'unité et de son contenu.

La National Sanitation Foundation (NSF) exige que les appareils de plus de 914 mm (36") de large ou pesant plus de 36 kg (80 lb) soient fixés sur ou surélevés par rapport à la surface d'installation. Si l'appareil ne peut pas être fixé sur l'emplacement d'utilisation, des pieds de 102 mm (4") sont fournis pour permettre le nettoyage en dessous de l'appareil.

### AVIS

Ne couchez pas l'unité sur le côté comportant le panneau de commande. L'unité pourrait être endommagée.

## Modèles GRSS et GRSSR

1. Retirer l'appareil de sa boîte.
2. Retirer le ruban et le film de protection de toutes les surfaces de l'appareil.

*NOTA: Pour éviter des retards dans l'obtention de la couverture de la garantie, complétez l'enregistrement en ligne de votre garantie. Lisez la section INFORMATIONS IMPORTANTES POUR LE PROPRIÉTAIRE pour plus de détails.*

*NOTA: Si des pieds de 102 mm (4") sont nécessaires, se reporter à la partie OPTIONS ET ACCESSOIRES de ce manuel pour obtenir des instructions d'installation. Les pieds de 102 mm (4") sont inclus avec les modèles de plus d'914 mm (36") de large.*

3. Placer l'appareil à l'endroit souhaité.
  - Placez l'appareil dans une zone où la température ambiante est toujours de 21°C (70°F) minimum. Évitez les zones situées dans les courants d'air (par exemple à proximité d'une porte extérieure, des ventilateurs d'échappement/hottes, des conduites de climatisation, etc.).
  - S'assurer que l'appareil est sur un plan de travail de hauteur correcte à un endroit qui convient pour son utilisation.
  - S'assurer que le plan de travail est de niveau et suffisamment solide pour résister au poids de l'appareil et des produits alimentaires.
  - Vérifier que tous les pieds sous l'appareil reposent solidement sur le plan de travail.

4. Monter les accessoires qui accompagnent l'appareil. Pour plus de détails, se reporter à la partie OPTIONS ET ACCESSOIRES.

## Modèles GRSSB

1. Retirer l'appareil de sa boîte.
2. Retirer le ruban et le film de protection de toutes les surfaces de l'appareil.

*NOTA: Pour éviter des retards dans l'obtention de la couverture de la garantie, complétez l'enregistrement en ligne de votre garantie. Lisez la section INFORMATIONS IMPORTANTES POUR LE PROPRIÉTAIRE pour plus de détails.*

### AVIS

**Les dommages pouvant être causés au dessus de comptoir par l'équipement de Hatco ne sont pas couverts par la garantie de Hatco. Contactez le fabricant du comptoir pour les informations concernant l'application.**

3. Préparez l'ouverture du comptoir. Se référer au « Tableau des découpes dans le comptoir pour les GRSSB » afin d'obtenir les dimensions de découpe dans le comptoir recommandées.
4. Appliquer un cordon d'un produit d'étanchéité approuvé par la National Sanitation Foundation (NSF) sur le bord supérieur de la découpe dans le comptoir et en dessous de la bordure de montage. Le produit d'étanchéité doit être prévu pour une utilisation à une température minimale de 121°C (250°F).
5. Placez l'appareil dans la découpe.
6. Retirez l'excédent d'agent d'étanchéité.
7. Placer l'ensemble boîtier de commande à distance dans une zone d'utilisation pratique. En fonction des besoins, le boîtier de contrôle peut être installé en position semi-distante.

- Retirez le boîtier de contrôle du dessous de l'appareil.
- Si cela est nécessaire, retirez les supports d'extrémité du boîtier de contrôle, faites tourner/repositionnez et refixez le boîtier de contrôle.
- Le boîtier de commande peut être monté sur un panneau, une surface ou sous le comptoir.
- La distance entre le boîtier de commande et l'appareil est déterminée par le cordon de 914 mm (36") (des cordons de 1,829 mm (6") et 3,048 mm (10") sont également disponible en option). Ne tendez pas le cordon pour augmenter la distance de montage. Laissez un peu de jeu sur le cordon une fois le boîtier de commande installé.

*NOTA: Le boîtier de commande à distance doit être monté à l'aide de vis, dont la tête doit avoir un diamètre minimum de 6 mm (1/4"), insérées dans les orifices situés sur les supports de montage. Le boîtier de commande à distance doit être facilement déplaçable, et non pas fixé de manière permanente.*

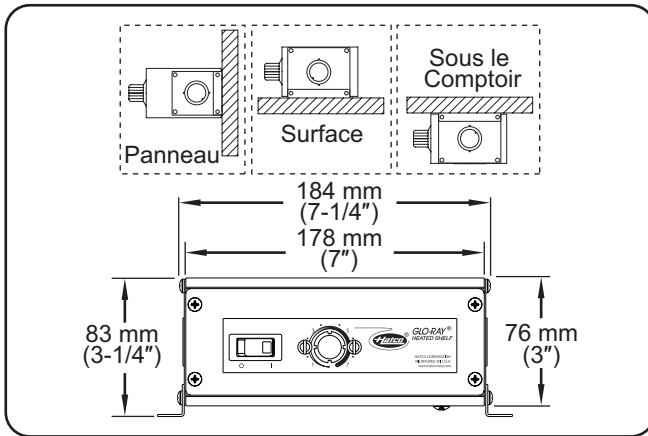
continué...

## AVIS

Ne pas modifier le câblage ni couper le tube capillaire du thermostat du boîtier de commande pour augmenter l'éloignement du montage à distance. La coupe du tube capillaire du thermostat fera surchauffer l'appareil et peut l'endommager ainsi que le comptoir qui l'entoure.

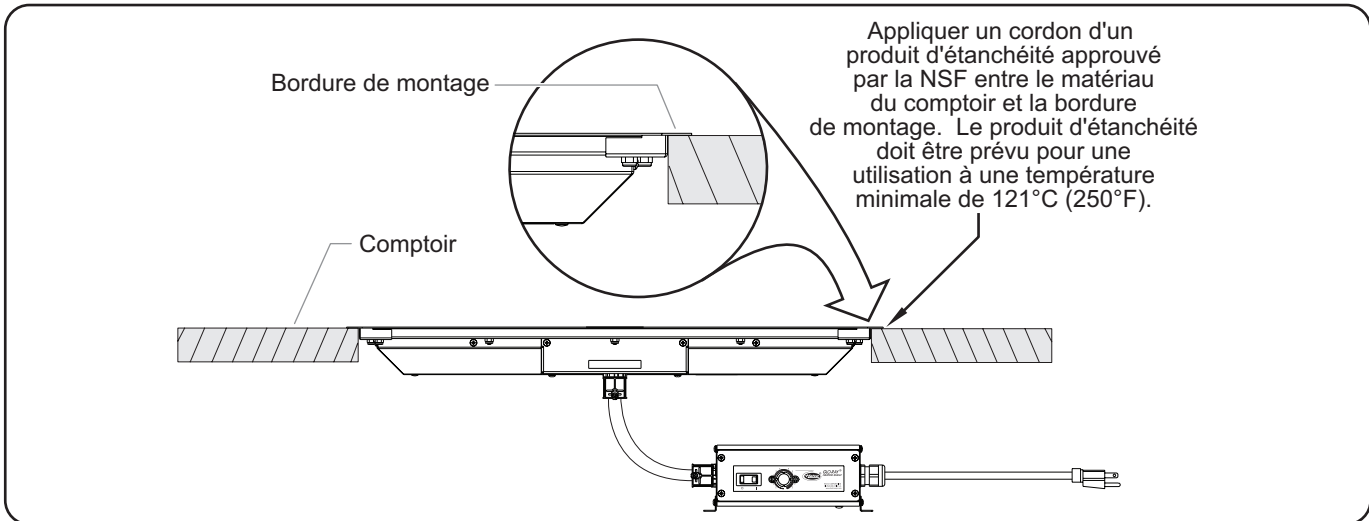
8. Une fois que tous les composants sont fixés, passer à la partie MODE D'EMPLOI.

NOTA: Un cordon d'1,829 mm (6') est fourni avec l'appareil ; tout excès de cordon doit être soigneusement disposé afin qu'il ne pende pas.



Options de montage du boîtier de commande

## Installation des GRSSB intégrés



Appliquer un cordon d'un produit d'étanchéité approuvé par la NSF entre le matériau du comptoir et la bordure de montage. Le produit d'étanchéité doit être prévu pour une utilisation à une température minimale de 121°C (250°F).

Installation des GRSSB intégrés

### Tableau des découpes dans le comptoir pour les GRSSB

Modèle	Largeur	Profondeur
GRSSB-2418	625 mm (24-5/8") – 632 mm (24-7/8")	473 mm (18-5/8") – 479 mm (18-7/8")
GRSSB-3018	778 mm (30-5/8") – 784 mm (30-7/8")	473 mm (18-5/8") – 479 mm (18-7/8")
GRSSB-3618	930 mm (36-5/8") – 937 mm (36-7/8")	473 mm (18-5/8") – 479 mm (18-7/8")
GRSSB-4818	1235 mm (48-5/8") – 1241 mm (48-7/8")	473 mm (18-5/8") – 479 mm (18-7/8")
GRSSB-6018	1540 mm (60-5/8") – 1546 mm (60-7/8")	473 mm (18-5/8") – 479 mm (18-7/8")
GRSSB-7218	1845 mm (72-5/8") – 1851 mm (72-7/8")	473 mm (18-5/8") – 479 mm (18-7/8")

## Généralités

Suivre les procédures suivantes pour allumer et utiliser les appareils GRSS, GRSSR et GRSSB.

### ⚠ AVERTISSEMENT

Lire tous les messages de sécurité de la section Consignes de sécurité importantes avant d'utiliser ce matériel.

#### Mise en marche

1. Nettoyer et désinfecter les surfaces en pierre en utilisant un tissu propre et humide, et un désinfectant agréé pour les surfaces en contact avec des aliments.
2. Brancher l'appareil sur une prise électrique correctement mise à la terre du type, de la taille et de la tension corrects. Voir des détails à la section CARACTÉRISTIQUES TECHNIQUES.
3. Placer l'interrupteur d'alimentation I/O (marche/arrêt) sur I (marche).

### ⚠ ATTENTION

**DANGER DE BRÛLURE: Certaines surfaces extérieures de l'appareil deviennent chaudes. Toucher ces zones de l'appareil avec précaution.**

4. Tourner la contrôle de la température pour choisir le réglage de température souhaité.
  - Tourner le bouton de contrôle de la température dans le sens des aiguilles d'une montre pour augmenter le réglage de température. Tourner le bouton de contrôle de la température dans le sens inverse des aiguilles d'une montre pour baisser le réglage de température.
5. Attendre 30 minutes que l'appareil ait le temps d'atteindre sa température d'exploitation avant d'y placer le produit alimentaire préchauffé.

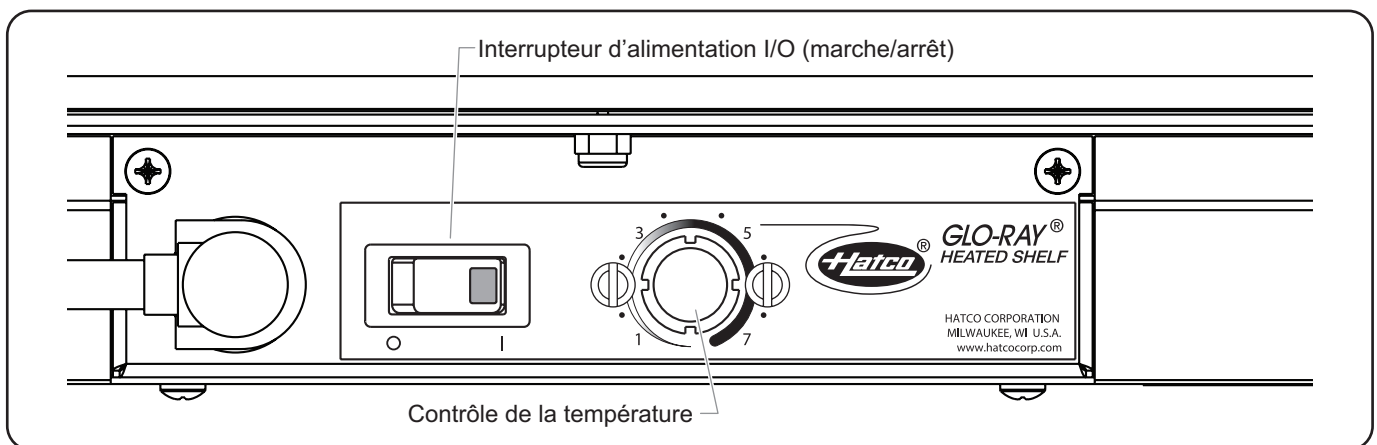
*NOTA: Se référer à la partie OPTIONS ET ACCESSOIRES de ce manuel pour connaître les informations d'installation et d'utilisation relatives aux appareils GRSSB équipés d'un panneau de commande encastré monté à distance.*

### AVIS

Si le poids sur la plaque dépasse les 23 kg (50 lb), une déflexion de 4 mm (5/32") maximum est possible. Si le poids sur la plaque dépasse les 45 kg (100 lb), une déflexion de 6 mm (1/4") maximum est possible. La plaque n'est plus garantie si elle doit supporter un poids supérieur à 68 kg (150 lb). Le poids doit être réparti de manière uniforme sur l'ensemble de la plaque.

#### Arrêt

1. Mettez l'interrupteur d'alimentation I/O (marche/arrêt) en position O (arrêt) et attendez que l'appareil refroidisse.
2. Effectuez la procédure de « Nettoyage quotidien » décrite dans la section MAINTENANCE de ce manuel.



Panneau de commande standard — Modèle GRSS

## Généralités

Les plaques chauffantes en pierre Glo-Ray® de Hatco sont conçues pour une durabilité et des performances maximum, avec un entretien minimum.

### AVERTISSEMENT

#### DANGER DE DÉCHARGE ÉLECTRIQUE :

- Mettez l'unité hors tension depuis l'interrupteur, débranchez le cordon d'alimentation et laissez l'unité refroidir avant d'effectuer tout nettoyage, tout réglage ou tout entretien.
- NE PAS immerger l'appareil ni le saturer d'eau. L'appareil n'est pas étanche à l'eau. Ne pas le faire fonctionner s'il a été immergé ou saturé d'eau.
- Cet appareil n'est pas étanche aux jets. Ne pas utiliser de jet sous pression pour nettoyer l'appareil.
- Ne pas nettoyer à la vapeur ni utiliser trop d'eau sur l'appareil.
- Utilisez uniquement des pièces de rechange d'origine Hatco lorsque l'entretien est nécessaire. Utilisez des pièces détachées Hatco authentiques sous peine d'annuler toutes les garanties et d'exposer l'utilisateur à des tensions électriques dangereuses pouvant entraîner une électrocution ou des brûlures. Les pièces de rechange authentiques Hatco sont spécifiées pour fonctionner en toute sécurité dans les environnements dans lesquels elles sont utilisées. Certaines pièces de rechange génériques ou d'après-vente n'ont pas les caractéristiques qui leur permettent d'opérer en toute sécurité dans les équipements Hatco.

Cet appareil ne contient aucune pièce réparable par l'utilisateur. Si cet appareil doit être réparé, contacter un réparateur Hatco agréé ou le Service après-vente Hatco au 800-558-0607 ou 414-671-6350.

## Nettoyage quotidien

Pour préserver la finition de l'appareil et maintenir la performance, il est recommandé de nettoyer tous les jours l'appareil.

### AVIS

Utilisez seulement des nettoyants non abrasifs et des chiffons doux. Les chiffons et nettoyant abrasifs pourraient érafler la finition de l'unité, entachant son apparence et la rendant susceptible à l'accumulation de saleté.

1. Avant d'allumer l'appareil chaque jour, nettoyer et désinfecter les surfaces de pierre à l'aide d'un chiffon propre et humide et un désinfectant approuvé pour les surfaces de contact alimentaire. Si un nettoyage supplémentaire est nécessaire, reportez-vous à la section «Nettoyage de la surface de la pierre» informations de cette section.
2. À la fin de chaque jour:
  - a. Mettre l'appareil hors tension et laisser refroidir l'appareil.
  - b. Essuyez toutes les surfaces métalliques à l'aide d'un chiffon propre humide non abrasif.

- c. Nettoyer et désinfecter les surfaces en pierre en utilisant un tissu propre et humide, et un désinfectant agréé pour les surfaces en contact avec des aliments. Si un nettoyage supplémentaire est nécessaire, se référer aux informations « Nettoyer la surface en pierre » de cette partie.

NOTA: Pour remédier aux taches inégales et aux décolorations, se référer aux informations « Nettoyer la surface en pierre » de cette partie.

- d. Séchez à l'aide d'un chiffon propre non abrasif.

## Nettoyer la surface en pierre

Une utilisation appropriée du produit telle que mentionnée ci-dessous n'endommagera pas la surface en pierre (suivez les instructions sur les étiquettes du produit).

NOTA: Les surfaces en pierre sont en pierre artificielle.

### ATTENTION

Veillez à nettoyer et désinfecter correctement les étagères chauffantes en pierre après l'utilisation d'abrasifs pour un nettoyage en profondeur de la surface, avant de placer un produit alimentaire sur l'unité.

#### Taches tenaces

Pour les taches tenaces, utiliser la compresse abrasive fournie ainsi qu'un nettoyant abrasif comme Ajax®, Comet®, Bon Ami®, ou Bar Keeper's Friend®. Des compresses abrasives supplémentaires sont disponibles auprès de Hatco (P/N 04.39.049.00). **AVIS : Utiliser uniquement la compresse abrasive fournie sur la surface en pierre.**

NOTA: Ne pas utiliser de laine d'acier ou de compresse de décapage en métal.

#### Taches minérales

Pour une tache minérale, il est recommandé d'utiliser des nettoyants conçus pour nettoyer le fer ou la rouille qui n'endommageront pas la surface en pierre.

#### Rayures

Pour les rayures, utiliser du papier de verre en commençant par les plus gros grains de poussière, puis en passant aux plus fins, jusqu'à ce que les rayures disparaissent. Passer la compresse abrasive fournie sur toute la surface.

**⚠ AVERTISSEMENT**

La réparation de cet appareil doit être confiée exclusivement à du personnel qualifié. Les réparations par des personnes non qualifiées peuvent provoquer des décharges électriques et des brûlures.

**⚠ AVERTISSEMENT**

**DANGER DE DÉCHARGE ÉLECTRIQUE:** Mettez l'unité hors tension depuis l'interrupteur, débranchez le cordon d'alimentation et laissez l'unité refroidir avant d'effectuer tout nettoyage, tout réglage ou tout entretien.

Symptôme	Cause Probable	Solution
Appareil trop chaud.	La contrôle de la température est réglée à un niveau trop élevé.	Baisser le réglage de la température.
	Appareil branché sur une alimentation inadaptée.	Assurez-vous auprès d'un personnel qualifié que l'alimentation correspond aux spécifications de l'appareil.
	La contrôle de la température est défectueuse.	Contactez votre agent de maintenance agréé ou Hatco.
Appareil pas assez chaud.	La contrôle de la température est réglée à un niveau trop faible.	Augmenter le réglage de la température.
	L'appareil est exposé à des courants d'air (conduites de climatisation ou ventilateurs d'échappement).	Éliminer les courants d'air ou déplacez l'appareil.
L'appareil ne fonctionne pas du tout.	Appareil non branché.	Brancher l'appareil sur une alimentation adéquate.
	L'appareil n'a pas été mis sous tension.	Placer l'interrupteur de marche/arrêt sur Marche.
	Interrupteur d'alimentation I/O (marche/arrêt) défectueux.	Contactez votre agent de maintenance agréé ou Hatco.
	La contrôle de la température est défectueuse.	
Élément chauffant de la base grillé.		
La matière de la surface en pierre est tachée, décolorée ou est maculée/décolorée par endroits.	La surface en pierre n'a pas été nettoyée correctement.	Nettoyer la surface en suivant les informations "Nettoyage de la surface en pierre" à la section ENTRETIEN de ce manuel. Si ces méthodes ne parviennent pas à fournir des résultats acceptables, contactez Hatco pour obtenir une assistance.
La plaque ploie.	Poids excessif sur la plaque.	Répartir le poids de manière uniforme sur l'ensemble de la plaque. Si le poids sur la plaque dépasse les 23 kg (50 lb), une déflexion de 4 mm (5/32") maximum est possible. Si le poids sur la plaque dépasse les 45 kg (100 lb), une déflexion de 6 mm (1/4") maximum est possible. La plaque n'est plus garantie si elle doit supporter un poids supérieur à 68 kg (150 lb).

**Vous avez des questions en ce qui concerne les pannes?**

Si le problème persiste, veuillez contacter l'agence d'entretien agréée Hatco la plus proche ou Hatco pour obtenir une assistance. Pour trouver l'agence d'entretien la plus proche, rendez-vous sur le site Internet de Hatco ([www.hatcocorp.com](http://www.hatcocorp.com)) et sélectionnez le menu déroulant *Support (Assistance)*, puis cliquez sur « Find A Service Agent » (trouver un agent d'entretien); ou contactez l'équipe d'entretien et de pièces détachées de Hatco :

Numéro de téléphone: 800-558-0607 or 414-671-6350

Courriel: [support@hatcocorp.com](mailto:support@hatcocorp.com)

## Pieds réglables de 102 mm (4") (modèles GRSS uniquement)

Suivre la procédure suivante pour monter les pieds réglables de 102 mm (4") à la place des pieds en caoutchouc sur un appareil GRSS.

NOTA: Les pieds de 102 mm (4") sont inclus avec les modèles de plus d'914 mm (36") de large.

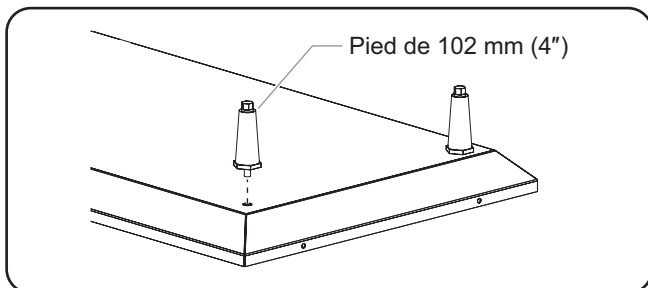
### **AVERTISSEMENT**

**DANGER DE DÉCHARGE ÉLECTRIQUE:** Mettez l'unité hors tension depuis l'interrupteur, débranchez le cordon d'alimentation et laissez l'unité refroidir avant d'effectuer tout nettoyage, tout réglage ou tout entretien.

### **AVIS**

Ne couchez pas l'unité sur le côté comportant le panneau de commande. L'unité pourrait être endommagée.

1. Mettre l'appareil hors tension et laisser refroidir l'appareil.
2. Retournez l'appareil avec précaution et posez-le sur une surface plane. Assurez-vous de recouvrir la surface en vitrocéramique afin de la protéger contre les rayures.
3. À chaque coin de la base, enlevez la vis du pied puis le pied en caoutchouc.



Installation des pieds de 102 mm (4")

4. À chaque coin de la base, vissez un pied de 102 mm (4") sur le dessous de la base.

NOTA: Les pieds de 102 mm (4") sont réglables pour mettre à niveau l'appareil. Utiliser une clé à fourche de 16 mm (5/8") pour effectuer des réglages de mise à niveau une fois que l'appareil est placé dans sa position finale.

## Planche à découper (modèles GRSSR uniquement)

La planche à découper est équipée de pieds en caoutchouc dans sa partie inférieure pour pouvoir être placée au-dessus de la surface chauffante en pierre.

La planche à découper est composée du même matériau que la surface chauffante en pierre et est disponible dans les mêmes couleurs.

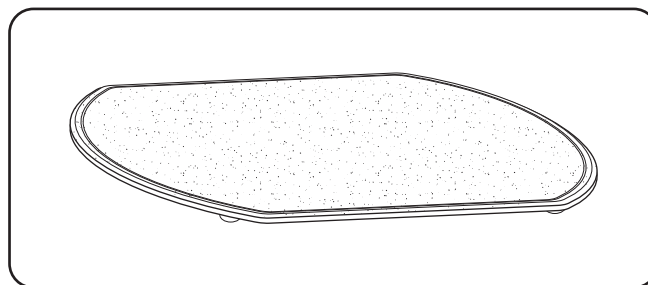
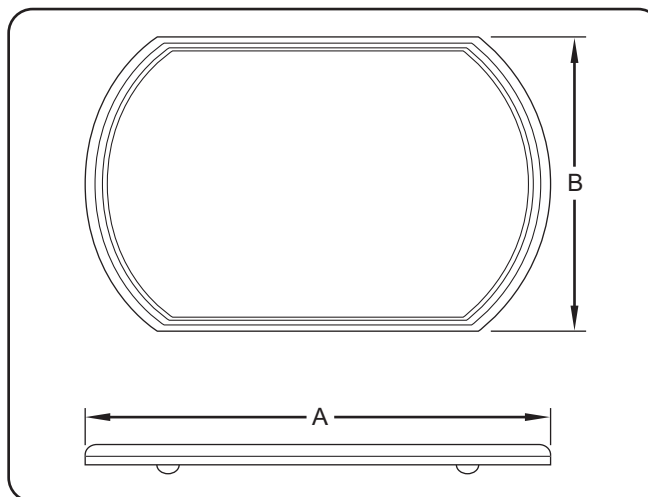


Planche à découper

### Dimensions de la planche à découper

Modèle	Largeur (A)	Profondeur (B)
GRSSR-16	432 mm (17")	298 mm (11-3/4")
GRSSR-18	483 mm (19")	349 mm (13-3/4")
GRSSR-20	533 mm (21")	400 mm (15-3/4")



Dimensions de la planche à découper

## Partie supérieure creuse pour les modèles GRSSB

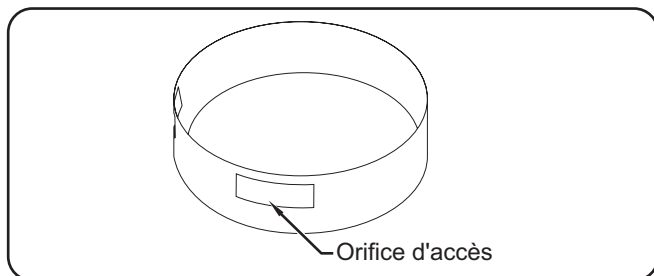
Une partie supérieure creuse en option est disponible pour les modèles GRSSB. Les appareils dotés de cette partie supérieure creuse disposent d'une surface chauffante située en dessous du niveau de la surface du comptoir.

## Rehausseurs (modèles GRSSR uniquement)

Des rehausseurs en acier sont disponibles pour augmenter la hauteur des appareils GRSSR. Deux tailles sont disponibles : 76 mm (3") ou 127 mm (5") de hauteur, en différentes couleurs et en acier inoxydable.

Pour monter un rehausseur :

1. Placer le rehausseur au niveau de son emplacement souhaité sur le comptoir.
2. Passer le cordon d'alimentation de l'appareil GRSSR à travers l'un des orifices d'accès du rehausseur.
3. Installer l'appareil GRSSR dans le rehausseur. S'assurer que les commandes sont accessibles par le biais des orifices d'accès du rehausseur.



Rehausseur de 127 mm (5") du modèle GRSSR

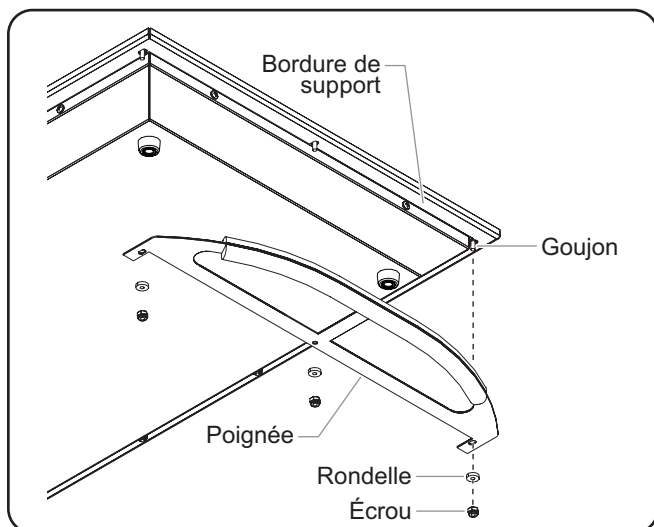
## Poignées (modèles GRSS uniquement)

Des poignées Designer rondes en acier inoxydable et revêtues de poudre noire sont disponibles pour les modèles GRSS.

Ces poignées sont modifiables sur place et sont montées sur chaque extrémité de l'appareil en suivant la procédure suivante.

Sur chaque extrémité de l'appareil :

1. Retirer les trois écrous et rondelles placés en dessous de la bordure de support de la surface en pierre.
2. Aligner les trois orifices de la poignée avec les trois goujons de la bordure de support, puis positionner la poignée sur les goujons.
3. Remettre les trois écrous et rondelles sur les goujons et serrer fermement.



Montage des poignées

## Boîtiers de Contrôle Distant (modèles GRSSB uniquement)

Deux types de boîtier de commande encastré monté à distance sont disponibles pour le modèle GRSSB — le boîtier de contrôle mécanique de la température et le boîtier de régulateur numérique de la température. Ces deux boîtiers de commande doivent être montés en suivant la procédure suivante.

### ⚠ AVERTISSEMENT

**Le boîtier de contrôle à distance doit être installé en position verticale sur un mur vertical. Si le boîtier de contrôle à distance est installé en position horizontale, du liquide risque de s'accumuler à l'intérieur et provoquer une décharge électrique.**

### AVIS

**Installez le boîtier de contrôle distant hors de la zone chauffée. Si vous placez le boîtier de contrôle dans la zone chauffée, cela pourrait provoquer des surchauffes, des dysfonctionnements ou des défaillances des commandes.**

**Ne modifiez pas le câblage et ne coupez pas le câble capillaire du thermostat du boîtier de contrôle pour augmenter la distance d'installation de la commande à distance. Si vous coupez le câble capillaire du thermostat, cela risque de provoquer une surchauffe et des dommages à l'appareil ainsi qu'au comptoir.**

*NOTA: Les branchements des appareils à l'alimentation électrique doivent être faits par un électricien qualifié.*

1. Préparez la découpe et pré-percez les orifices des vis (consultez l'illustration ci-dessous pour connaître les dimensions).
2. Retirez le capot du boîtier de contrôle.
3. Placez le boîtier de contrôle dans l'ouverture par l'arrière.
4. Fixez le boîtier de contrôle à la surface à l'aide des vis (non fournies).
5. Branchez une alimentation électrique adaptée au boîtier de contrôle distant.
6. Réinstallez le capot.

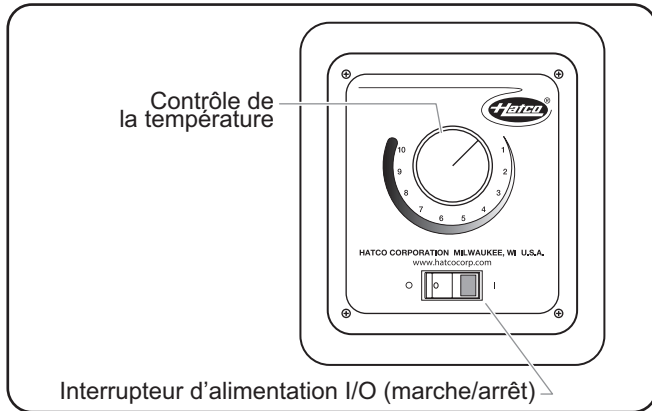
*NOTA: Les appareils sont équipés d'un cordon flexible de 91,4 cm (3") reliant le boîtier de commande à l'appareil. La régulateur numérique de la température propose également des cordons de 1,829 m (6") et de 3,048 m (10").*

## Interrupteur d'alimentation I/O (marche / arrêt)

Les deux boîtiers de commande à distance encastrables intègrent un interrupteur d'alimentation I/O (marche/arrêt). Placez l'interrupteur d'alimentation I/O (marche/arrêt) sur la position I (marche) pour allumer l'appareil. Le témoin lumineux de l'interrupteur s'allume lorsque l'appareil est en marche.

## Changer la température nominale - Contrôle mécanique de la température

Tournez le contrôle de la température dans le sens des aiguilles d'une montre pour augmenter la température nominale. Tournez le contrôle de la température dans le sens inverse des aiguilles d'une montre pour réduire la température nominale.



Contrôle mécanique de la température

## Changer la température nominale — Régulateur numérique de la température

Une fois allumés, les appareils munis du régulateur numérique de la température chaufferont automatiquement jusqu'à la température nominale. Suivez la procédure ci-après pour programmer la température nominale.

### AVIS

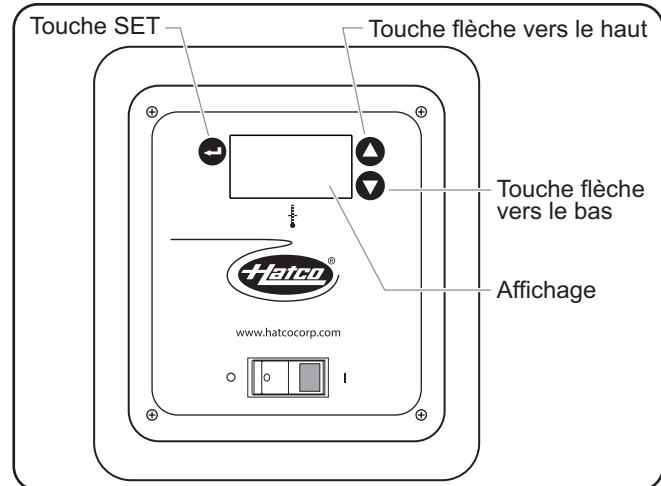
**Les appareils intégrés ne doivent pas atteindre un point de consigne de température supérieur à 93°C (200°F). Les températures dépassant les 93°C endommagent l'appareil et annulent la garantie.**

*NOTA: La température affichée à l'écran peut s'avérer inexacte lorsque la température de l'appareil est inférieure à 54 °C (130 °F).*

1. Appuyez 3 fois sur la touche **SET**. La température nominale actuelle s'affichera sur l'écran TEMPÉRATURE (le signe « SP » s'affichera après la deuxième pression).
2. Appuyez sur la touche **▲** ou **▼** dans les 10 secondes pour modifier la température nominale.

3. Appuyez sur la touche **⏻** pour verrouiller la nouvelle température nominale. L'affichage TEMPÉRATURE restera vierge pendant deux secondes puis indiquera que les nouveaux paramètres ont été acceptés.

*NOTA: Après dix secondes d'inactivité au cours de la programmation, le régulateur quittera automatiquement le mode programmation sans mémoriser la nouvelle valeur.*



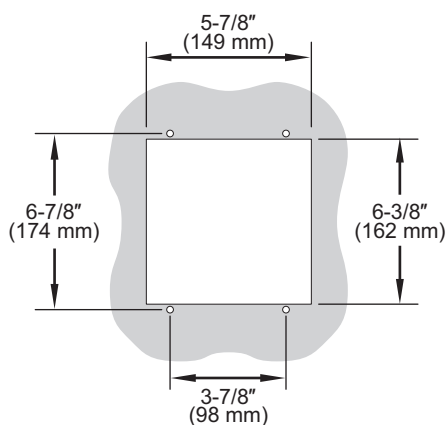
Régulateur de température numérique

## Alternance entre l'affichage Fahrenheit et Celsius — Régulateur numérique de la température

Utilisez la procédure ci-après pour alterner entre l'affichage Fahrenheit et Celsius.

1. Appuyez une fois sur la touche **⏻**. Saisissez « F » pour un affichage en Fahrenheit ou « C » pour un affichage en Celsius.
2. Appuyez sur la touche **▲** ou **▼** dans les 10 secondes pour alterner entre l'affichage « F » (Fahrenheit) et « C » (Celsius).
3. Appuyez trois fois sur la touche **⏻** pour verrouiller le nouveau paramètre. L'affichage TEMPÉRATURE restera vierge pendant deux secondes puis indiquera que les nouveaux paramètres ont été acceptés.

*NOTA: Après dix secondes d'inactivité au cours de la programmation, le régulateur quittera automatiquement le mode programmation sans mémoriser la nouvelle valeur.*



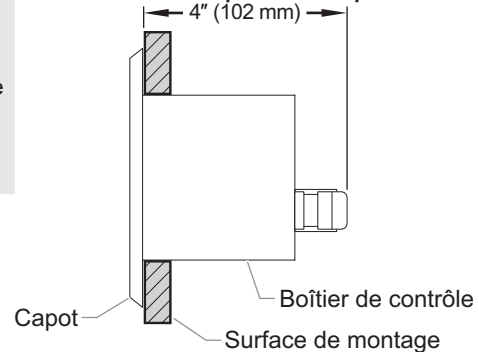
Vue de Face de la Découpe

### REMARQUE IMPORTANTE :

Assurez-vous que l'emplacement choisi présente assez de place pour les branchements électriques au boîtier électrique.

### Régulateur numérique de la température 4-3/4" (121 mm)

#### Contrôle mécanique de la température 4" (102 mm)



Vue de côté du boîtier installé

Boîtiers de commande montés à distance



### Petits boîtiers de commande

Deux boîtiers de commande encastrés de petite taille sont disponibles pour le modèle GRSSB — le boîtier de commande de température mécanique et le boîtier de régulateur de température numérique. Les deux boîtiers de commande s'installent selon la procédure suivante.

#### **⚠ AVERTISSEMENT**

**RISQUE DE DÉCHARGE ÉLECTRIQUE:** Le boîtier de commande monté à distance doit être installé sur un mur vertical en position verticale. L'installation du boîtier de commande en position horizontale peut conduire à une accumulation de liquides et entraîner une décharge électrique.

#### **AVIS**

Ne pas modifier le câblage ni couper le tube capillaire du thermostat du boîtier de commande pour augmenter l'éloignement du montage à distance. La coupe du tube capillaire du thermostat fera surchauffer l'appareil et peut l'endommager ainsi que le comptoir qui l'entoure.

Ne pas installer le boîtier de commande monté à distance dans une zone soumise à des températures supérieures à 29°C (85°F). Des températures excessives entraîneront une surchauffe, un dysfonctionnement et une défaillance d'une ou de plusieurs commandes.

1. Préparez l'ouverture du petit boîtier de commande. Assurez-vous que la découpe du boîtier de commande est à portée du conduit du boîtier de commande de 1 829 mm (6') de l'unité.
  - a. Reportez-vous à la section « Dimensions pour l'installation du petit boîtier de commande » pour les dimensions de découpe et de passage des vis.
  - b. Procédez à la découpe et pré-percez les orifices de passage des vis.

#### **REMARQUE IMPORTANTE**

Assurez-vous que l'emplacement pour l'installation laisse suffisamment de place pour effectuer les connexions électriques au boîtier de commande.

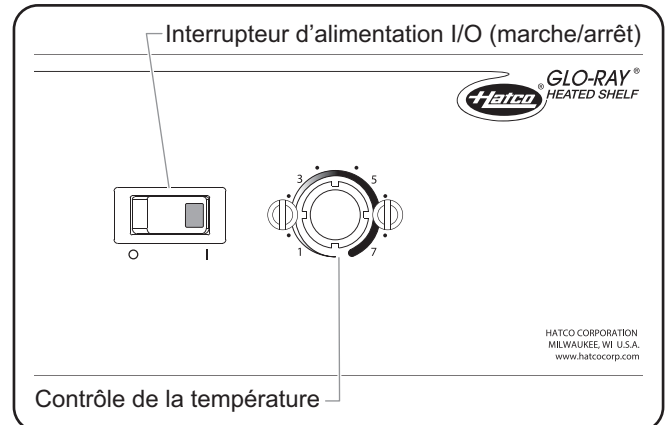
2. Installez l'appareil dans l'ouverture du comptoir :
  - a. Faites passer le petit boîtier de commande par l'ouverture du comptoir.
  - b. Placez l'appareil dans l'ouverture du comptoir.
3. Faites passer le petit boîtier de commande à travers l'ouverture du boîtier de commande afin qu'il puisse être monté à l'avant de la surface de montage.
4. Placez le petit boîtier de commande dans l'ouverture par l'avant.
  - Alignez les orifices du boîtier de commande avec les orifices pré-perçés de la surface de montage.
5. Fixez le petit boîtier de commande sur la surface de montage à l'aide de quatre vis (non fournies).

### Interrupteur d'alimentation I/O (marche/arrêt)

Les deux boîtiers de commande à distance intègrent un interrupteur d'alimentation marche/arrêt (I/O). Mettez l'interrupteur d'alimentation I/O (marche/arrêt) en position « I » (marche) pour mettre l'appareil en marche. Le témoin de l'interrupteur s'allume lorsque l'appareil est allumé.

### Changer la température nominale - Commande de température mécanique

Tournez la commande de température dans le sens des aiguilles d'une montre pour augmenter la température nominale. Tournez la commande de température dans le sens inverse des aiguilles d'une montre pour réduire la température nominale.



Commande de température mécanique — Petit boîtier de commande





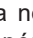

## Changer la température nominale — Régulateur de température numérique

Une fois allumés, les appareils munis du régulateur numérique de la température chaufferont automatiquement jusqu'à la température nominale. Suivez la procédure ci-après pour programmer la température nominale.

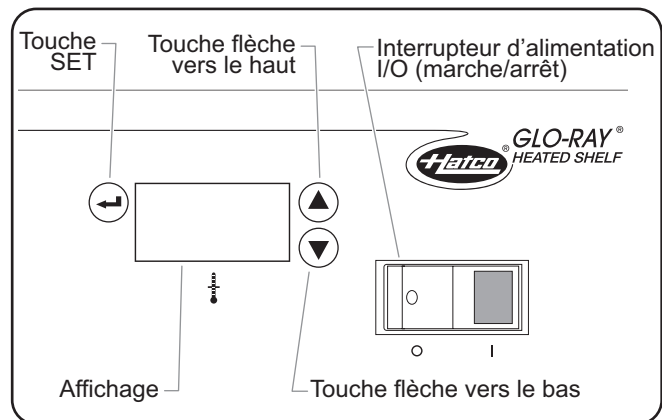
### AVIS

Les appareils intégrés ne doivent pas atteindre une température nominale supérieure à 93°C (200°F). Les températures dépassant les 93°C endommagent l'appareil et annulent la garantie.

NOTA: La température indiquée sur l'écran (température) peut être incorrecte lorsque la température de l'appareil est inférieure à 54°C (130°F).

1. Appuyez sur la touche  trois fois. La température nominale actuelle sera affichée sur l'écran  (température) numérique (le signe « SP » s'affichera après la deuxième pression).
2. Appuyez sur la touche  ou  dans les 10 secondes pour changer la température nominale.
3. Appuyez sur la touche  pour verrouiller la nouvelle température nominale. L'écran  (température) restera vierge pendant 2 secondes pour indiquer que les nouveaux paramètres ont été acceptés.






NOTA: Après 10 secondes d'inactivité au cours de la programmation, le régulateur quittera automatiquement le mode programmation sans mémoriser la nouvelle valeur.



Régulateur de température numérique — Petit boîtier de commande

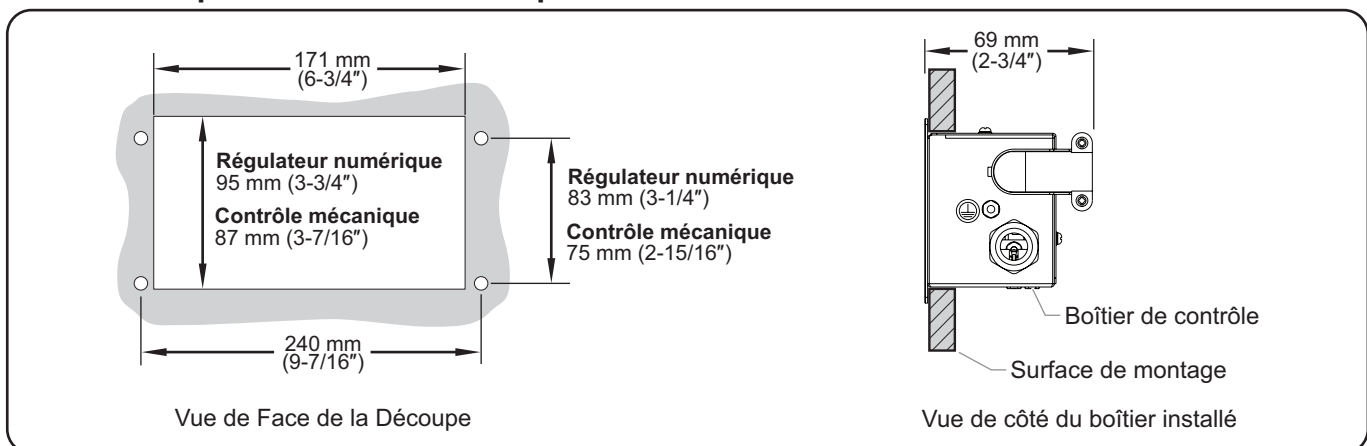
## Alterner entre l'affichage Fahrenheit et Celsius — Régulateur de température numérique

Utilisez la procédure ci-après pour alterner entre l'affichage Fahrenheit et Celsius.

1. Appuyez sur la touche  une fois. Saisissez « F » pour un affichage en Fahrenheit ou « C » pour un affichage en Celsius.
2. Appuyez sur la touche  ou  dans les 10 secondes pour passer d'un affichage en « F » (Fahrenheit) à un affichage en « C » (Celsius) ou vice-versa.
3. Appuyez sur la touche  trois fois pour verrouiller le nouveau paramètre. L'écran  (température) restera vierge pendant 2 secondes pour indiquer que les nouveaux paramètres ont été acceptés.

NOTA: Après 10 secondes d'inactivité au cours de la programmation, le régulateur quittera automatiquement le mode programmation sans mémoriser la nouvelle valeur.

## Dimensions pour l'installation des petits boîtiers de commande



**1. GARANTIE DU PRODUIT**

Hatco garantit que les produits qu'il fabrique (les « Produits ») sont exempts de défauts de matériel et de fabrication, dans des conditions normales d'utilisation et de maintenance, pour une période d'un (1) an à partir de la date d'achat à condition que l'appareil soit installé et entretenu conformément aux instructions écrites de Hatco ou 18 mois après la date de l'expédition par Hatco. L'acheteur doit prouver la date d'achat du Produit par l'enregistrement de ce dernier auprès de Hatco ou par d'autres moyens satisfaisants pour Hatco, à sa seule discrétion.

Hatco garantit que les composants du Produit suivants sont exempts de défauts de matériel et de fabrication à partir de la date d'achat (sous réserve des conditions précédentes) pour la ou les périodes de temps et en fonction des conditions listées ci-dessous :

- a) **Garantie d'un (1) an pour les pièces et la main-d'œuvre PLUS un (1) an supplémentaire pour les pièces uniquement :**  
 Éléments du grille-pain à convoyeur (enveloppe métallique)  
 Éléments des tiroirs chauffants (enveloppe métallique)  
 Tiroirs, roues et glissières des tiroirs chauffants  
 Éléments des rampes chauffantes (enveloppe métallique)  
 Éléments des vitrines chauffantes  
 (enveloppe métallique, air chauffant)  
 Éléments des armoires de stockage  
 (enveloppe métallique, air chauffant)  
 Éléments des compartiments chauffants —  
 série HW et HWB (enveloppe métallique)
- b) **Garantie de deux (2) ans pour les pièces et la main-d'œuvre :**  
 Gammes à induction  
 Réchauds à induction
- c) **Garantie d'un (1) an pour les pièces et la main-d'œuvre PLUS quatre (4) ans pour les pièces uniquement :**  
 Cuves 3CS et FR
- d) **Garantie d'un (1) an pour les pièces et la main-d'œuvre PLUS neuf (9) ans pour les pièces uniquement :**  
 Cuves des appareils de chauffage d'appoint électriques  
 Cuves des appareils de chauffage d'appoint à gaz
- e) **Garantie de quatre-vingt-dix (90) jours pour les pièces uniquement :**  
 Pièces de rechange

LES GARANTIES PRÉCÉDENTES SONT EXCLUSIVES ET REMPLACENT TOUTES AUTRES GARANTIES, EXPRESSES OU IMPLICITES, COMPRENANT, MAIS NE SE LIMITANT PAS, À TOUTES GARANTIES IMPLICITES DE QUALITÉ MARCHANDE OU DE FINALITÉ PARTICULIÈRE OU TOUS BREVETS OU TOUTES AUTRES ATTEINTES AUX DROITS DE LA PROPRIÉTÉ INTELLECTUELLE. Sans restreindre la portée générale des énoncés précédents, CES GARANTIES NE COUVRENT PAS LES ÉLÉMENTS SUIVANTS : ampoules d'éclairage à incandescence enduites, lumières fluorescentes, ampoules de lampes chauffantes, ampoules d'éclairage à halogène enduites, ampoules de lampes chauffantes au xénon, tubes d'éclairage DEL, composants en verre et fusibles ; défaut de produit dans la cuve d'un appareil de chauffage d'appoint, dans un échangeur de chaleur à tubes à ailettes ou tout autre équipement de chauffage d'eau causé par la calcification, l'accumulation de sédiments, la réaction d'un produit chimique ou le gel ; ou une mauvaise utilisation, une manipulation ou une mauvaise application, une installation inappropriée du Produit ou l'utilisation d'une tension inappropriée.

**2. LIMITES DES RECOURS ET DES DOMMAGES**

La responsabilité de Hatco et la seule voie de recours de l'Acheteur prévues par les présentes seront limitées exclusivement, au gré de Hatco, à la réparation ou au remplacement à l'aide de pièces ou de Produits nouveaux ou remis à neuf par Hatco ou un centre de réparation agréé par Hatco (sauf si l'Acheteur se situe hors des États-Unis, du Canada, du Royaume-Uni ou de l'Australie, auquel cas la responsabilité de Hatco et la seule voie de recours de l'Acheteur seront limitées exclusivement au remplacement des pièces concernées par la garantie) à l'égard de toute revendication effectuée dans les délais de garantie applicables mentionnés ci-dessus. Hatco se réserve le droit d'accepter ou de rejeter toute réclamation en partie ou dans son intégralité. Dans le cadre de cette Garantie limitée, « remis à neuf » signifie une pièce ou un Produit dont les caractéristiques techniques d'origine ont été restaurées par Hatco ou un centre de réparation agréé par Hatco. Hatco n'acceptera aucun retour de Produits sans qu'il n'ait auparavant donné son accord écrit, et tous ces retours approuvés doivent être effectués aux seuls frais de l'Acheteur. HATCO NE SERA PAS TENU RESPONSABLE, DANS AUCUNE CIRCONSTANCE, DES DOMMAGES CONSÉCUTIFS OU INDIRECTS, COMPRENANT, MAIS NE SE LIMITANT PAS, AUX COÛTS DE MAIN-D'ŒUVRE OU PERTES DE PROFITS DUS À UNE UTILISATION OU À UNE IMPOSSIBILITÉ D'UTILISER LES PRODUITS OU DUS AU FAIT QUE LES PRODUITS ONT ÉTÉ INTÉGRÉS DANS OU QU'ILS SONT DEVENUS UN COMPOSANT DE TOUT AUTRE PRODUIT OU BIEN.

# AUTHORIZED PARTS DISTRIBUTORS • AUTORISÉS DISTRIBUTEURS DE PIÈCES

## ALABAMA

Jones McLeod Appl. Svc.  
Birmingham 205-251-0159

## ARIZONA

Tech 24  
Phoenix 602-234-2443

Byassee Equipment Co.  
Phoenix 602-252-0402

## CALIFORNIA

Industrial Electric  
Commercial Parts & Service, Inc.  
Huntington Beach 714-379-7100

Chapman Appl. Service  
San Diego 619-298-7106

P & D Appliance  
Commercial Parts & Service, Inc.  
S. San Francisco 650-635-1900

## COLORADO

Hawkins Commercial Appliance  
Englewood 303-781-5548

## FLORIDA

Whaley Foodservice Repair  
Jacksonville 904-725-7800

Whaley Foodservice Repair  
Orlando 407-757-0851

B.G.S.I./Heritage  
Pompano Beach 954-971-0456

Comm. Appliance Service  
Tampa 813-663-0313

## GEORGIA

Heritage Service Group  
Norcross 866-388-9837

## HAWAII

Burney's Comm. Service, Inc.  
Honolulu 808-848-1466

Food Equip Parts & Service  
Honolulu 808-847-4871

## ILLINOIS

Parts Town  
Addison 708-865-7278

Eichenauer Elec. Service  
Decatur 217-429-4229

Midwest Elec. Appl. Service  
Elmhurst 630-279-8000

Cone's Repair Service  
Moline 309-797-5323

## IOWA

Goodwin Tucker Group  
Des Moines 515-262-9308

## KENTUCKY

Tech 24  
Lexington 859-254-8854

Tech 24  
Louisville 502-451-5411

## LOUISIANA

Chandlers Parts & Service  
Baton Rouge 225-272-6620

## MARYLAND

Electric Motor Service  
Baltimore 410-467-8080

## MASSACHUSETTS

Ace Service Co., Inc.  
Needham 781-449-4220

## MICHIGAN

Bildons Appliance Service  
Detroit 248-478-3320

Commercial Kitchen Service  
Bay City 989-893-4561

Midwest Food Equip. Service  
Grandville 616-261-2000

## MISSOURI

General Parts  
Kansas City 816-421-5400

Commercial Kitchen Services  
St. Louis 314-890-0700

Kaemmerlen Parts & Service  
St. Louis 314-535-2222

## NEBRASKA

Anderson Electric  
Omaha 402-341-1414

## NEVADA

Burney's Commercial  
Las Vegas 702-736-0006

Hi. Tech Commercial Service  
N. Las Vegas 702-649-4616

## NEW JERSEY

Jay Hill Repair  
Fairfield 973-575-9145

Service Plus  
Flanders 973-691-6300

## NEW YORK

Alpro Service Co.  
Maspeth 718-386-2515

Duffy's - AIS  
Buffalo 716-884-7425

3Wire  
Plattsburgh 800-634-5005

Duffy's - AIS  
Sauquoit 800-836-1014

J.B. Brady, Inc.  
Syracuse 315-422-9271

## NORTH CAROLINA

Authorized Appliance  
Charlotte 704-377-4501

## OHIO

Akron/Canton Comm. Svc. Inc.  
Akron 330-753-6634

Tech 24  
Cincinnati 513-772-6600

Commercial Parts and Service  
Columbus 614-221-0057

Electrical Appl. Repair Service  
Brooklyn Heights 216-459-8700

E. A. Wichman Co.  
Toledo 419-385-9121

## OKLAHOMA

Hagar Rest. Service, Inc.  
Oklahoma City 405-235-2184

## OREGON

General Parts Group  
Portland 503-624-0890

## PENNSYLVANIA

Elmer Schultz Services  
Philadelphia 215-627-5401

FAST Comm. Appl. Service  
Philadelphia 215-288-4800

AIS Commercial Parts and Service  
Pittsburgh 412-809-0244

K & D Service Co.  
Harrisburg 717-236-9039

Electric Repair Co.  
Reading 610-376-5444

## RHODE ISLAND

Marshall Electric Co.  
Providence 401-331-1163

## SOUTH CAROLINA

Whaley Foodservice Repair  
Lexington 803-996-9900

## TENNESSEE

Camp Electric  
Memphis 901-527-7543

## TEXAS

Armstrong Repair Service  
Houston 713-666-7100

Cooking Equipment Specialist  
Mesquite 972-686-6666

Commercial Kitchen Repair Co.  
San Antonio 210-735-2811

## UTAH

La Monica's Rest. Equip. Service  
Murray 801-263-3221

## VIRGINIA

Daubers  
Norfolk 757-855-4097

Daubers  
Springfield 703-866-3600

## WASHINGTON

3Wire  
Seattle 800-207-3146

## WISCONSIN

A.S.C., Inc.  
Madison 608-246-3160

A.S.C., Inc.  
Milwaukee 414-543-6460

## CANADA

### ALBERTA

Key Food Equipment Service  
Edmonton 780-438-1690

### BRITISH COLUMBIA

Key Food Equipment Service  
Vancouver 604-433-4484

Key Food Equipment Service  
Victoria 250-920-4888

### MANITOBA

Air Rite, Inc.  
Winnipeg 204-895-2300

### NEW BRUNSWICK

EMR Services, Ltd.  
Moncton 506-855-4228

### ONTARIO

R.G. Henderson Ltd.  
Toronto 416-422-5580

Choquette - CKS, Inc.  
Ottawa 613-739-8458

### QUÉBEC

Choquette - CKS, Inc.  
Montreal 514-722-2000

Choquette - CKS, Inc.  
Québec City 418-681-3944

## UNITED KINGDOM

Marren Group  
Northants +44(0)1933 665313

**HATCO CORPORATION**

P.O. Box 340500

Milwaukee, WI 53234-0500 U.S.A.

800-558-0607 414-671-6350

support@hatcocorp.com

www.hatcocorp.com

**Register your unit online!**

See IMPORTANT OWNER INFORMATION  
section for details.

**Enregistrez votre appareil en ligne !**

Lisez la section INFORMATIONS IMPORTANTES POUR  
LE PROPRIÉTAIRE pour plus d'informations.