

hatcorp.com

Register Online!  
(see page 2)

S'inscrire en ligne!  
(voir page 19)



# Toast-Qwik®

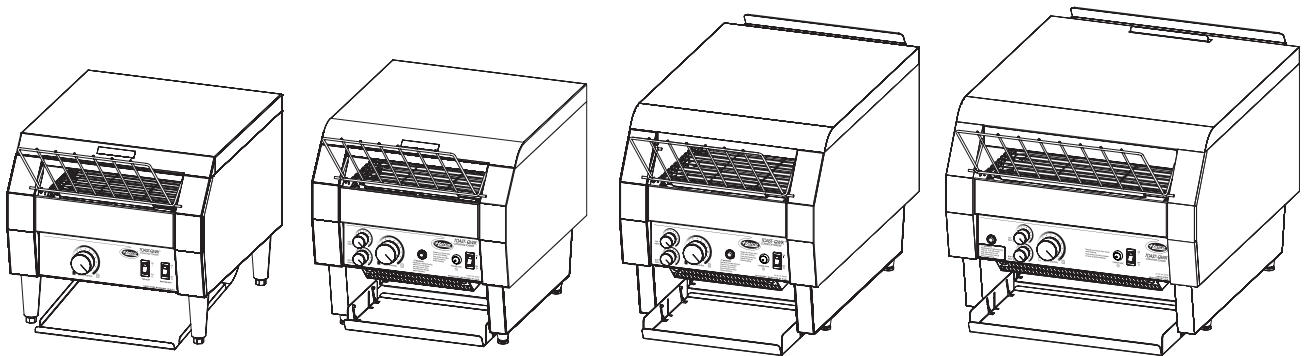
## Conveyor Toasters

## Grille-pain à convoyeur

### TQ-10, TQ-400, TQ-800, TQ-1200, and TQ-1800 Series/Série

## Installation and Operating Manual

## Manuel d'installation et d'utilisation



### **⚠ WARNING**

Do not operate this equipment unless you have read and understood the contents of this manual! Failure to follow the instructions contained in this manual may result in serious injury or death. This manual contains important safety information concerning the maintenance, use, and operation of this product. If you're unable to understand the contents of this manual, please bring it to the attention of your supervisor. Keep this manual in a safe location for future reference.

English = p 2

### **⚠ ADVERTENCIA**

No opere este equipo al menos que haya leído y comprendido el contenido de este manual! Cualquier falla en el seguimiento de las instrucciones contenidas en este manual puede resultar en un serio lesión o muerte. Este manual contiene importante información sobre seguridad concerniente al mantenimiento, uso y operación de este producto. Si usted no puede entender el contenido de este manual por favor pregunte a su supervisor. Almacenar este manual en una localización segura para la referencia futura.

### **⚠ AVERTISSEMENT**

Ne pas utiliser cet équipement sans avoir lu et compris le contenu de ce manuel ! Le non-respect des instructions contenues dans ce manuel peut entraîner de graves blessures ou la mort. Ce manuel contient des informations importantes concernant l'entretien, l'utilisation et le fonctionnement de ce produit. Si vous ne comprenez pas le contenu de ce manuel, veuillez le signaler à votre supérieur. Conservez ce manuel dans un endroit sûr pour pouvoir vous y référer plus tard.

Français = p 19

|                                           |           |                                                      |                   |
|-------------------------------------------|-----------|------------------------------------------------------|-------------------|
| <b>Important Owner Information</b> .....  | <b>2</b>  | <b>Operation</b> .....                               | <b>12</b>         |
| <b>Introduction</b> .....                 | <b>2</b>  | General.....                                         | 12                |
| <b>Important Safety Information</b> ..... | <b>3</b>  | Operating Model TQ-10.....                           | 12                |
| <b>Model Descriptions</b> .....           | <b>4</b>  | Operating TQ-400, -800, -1200, and -1800 Series..... | 13                |
| <b>Model Designation</b> .....            | <b>5</b>  | Power Save Mode with Indicator Light.....            | 14                |
| <b>Specifications</b> .....               | <b>6</b>  | ColorGuard System.....                               | 14                |
| Plug Configurations.....                  | 6         | Adjusting the Toast Feed Ramp.....                   | 14                |
| Electrical Rating Charts.....             | 6         | <b>Maintenance</b> .....                             | <b>15</b>         |
| Dimensions.....                           | 8         | General.....                                         | 15                |
| <b>Installation</b> .....                 | <b>10</b> | Daily Cleaning.....                                  | 15                |
| General.....                              | 10        | Cleaning the Toast Feed Ramp.....                    | 15                |
| Front or Rear Discharge Installation..... | 11        | Cleaning the Bottom Element Reflector.....           | 15                |
|                                           |           | <b>Troubleshooting Guide</b> .....                   | <b>16</b>         |
|                                           |           | <b>Options and Accessories</b> .....                 | <b>17</b>         |
|                                           |           | <b>Limited Warranty</b> .....                        | <b>18</b>         |
|                                           |           | <b>Authorized Parts Distributors</b> .....           | <b>Back Cover</b> |

IMPORTANT OWNER INFORMATION

Record the model number, serial number, voltage, and purchase date of the unit in the spaces below (specification label located on the lower left hand side of the unit). Please have this information available when calling Hatco for service assistance.

Model No. \_\_\_\_\_
Serial No. \_\_\_\_\_
Voltage \_\_\_\_\_
Date of Purchase \_\_\_\_\_

Business Hours: 7:00 AM to 5:00 PM Monday-Friday, Central Time (CT)
(Summer Hours — June to September: 7:00 AM to 5:00 PM Monday-Thursday, 7:00 AM to 4:00 PM Friday)

Telephone: 800-558-0607; 414-671-6350

E-mail: support@hatcocorp.com



24 Hour 7 Day Parts and Service Assistance available in the United States and Canada by calling 800-558-0607.

Register your unit!

Completing online warranty registration will prevent delay in obtaining warranty coverage. Access the Hatco website at www.hatcocorp.com, select the Support pull-down menu, and click on "Warranty".

Additional information can be found by visiting our web site at www.hatcocorp.com.

INTRODUCTION

Hatco Toast-Qwik® Conveyor Toasters are specially designed to accelerate the toasting operation. Products for toasting pass through a heating chamber for rapid and thorough toasting. Moisture, sugar content, and thickness of bread product effect the ability to achieve the perfect toasted product. Conveyor speed and temperature determine the toasting color.

Hatco toasters are built with quality to meet the demands of foodservice operations and provide years of trouble-free performance. The metal-sheathed tubular heating elements are guaranteed against breakage and burnout for two years.

Hatco Toast-Qwik Conveyor Toasters are products of extensive research and field testing. The materials used were selected for maximum durability, attractive appearance and optimum performance. Every unit is thoroughly inspected and tested prior to shipment.

This manual provides the installation, safety, and operating instructions for Toast-Qwik Conveyor Toasters. Hatco recommends all installation, operating, and safety instructions appearing in this manual be read prior to installation or operation of a unit.

Safety information that appears in this manual is identified by the following signal word panels:



WARNING indicates a hazardous situation which, if not avoided, could result in death or serious injury.



CAUTION indicates a hazardous situation which, if not avoided, could result in minor or moderate injury.



NOTICE is used to address practices not related to personal injury.



Read the following important safety information before using this equipment to avoid serious injury or death and to avoid damage to equipment or property.

**WARNING**

**ELECTRIC SHOCK HAZARD:**

- Plug unit into a properly grounded electrical receptacle of the correct voltage, size, and plug configuration. If plug and receptacle do not match, contact a qualified electrician to determine and install proper voltage and size electrical receptacle.
- Turn OFF power switch, unplug power cord, and allow unit to cool before performing maintenance, cleaning, setup, or attempting to clear a jam.
- Unit is not weatherproof. Locate unit indoors where ambient air temperature is a minimum of 70°F (21°C) and a maximum of 85°F (29°C).
- DO NOT submerge or saturate with water. Unit is not waterproof. Do not operate if unit has been submerged or saturated with water.
- Do not steam clean or use excessive water on unit.
- This unit is not “jet-proof” construction. Do not use jet-clean spray to clean this unit.
- Do not clean unit when it is energized or hot.
- Do not allow liquids to spill into unit.
- Do not pull unit by power cord.
- Discontinue use if power cord is frayed or worn.
- Do not attempt to repair or replace a damaged power cord. Cord must be replaced by Hatco, an Authorized Hatco Service Agent, or a person with similar qualifications.
- NEVER insert a knife, fork, or similar object into toasting chamber.
- Do not pick up the toaster by inserting fingers into the toaster feed opening.
- This unit must be serviced by qualified personnel only. Service by unqualified personnel may lead to electric shock or burn.
- Use only Genuine Hatco Replacement Parts when service is required. Failure to use Genuine Hatco Replacement Parts will void all warranties and may subject operators of the equipment to hazardous electrical voltage, resulting in electrical shock or burn. Genuine Hatco Replacement Parts are specified to operate safely in the environments in which they are used. Some aftermarket or generic replacement parts do not have the characteristics that will allow them to operate safely in Hatco equipment.

**EXPLOSION HAZARD:** Do not store or use gasoline or other flammable vapors or liquids in the vicinity of this or any other appliance.

If toaster overheats or cooling fan inside unit stops working, the safety high-limit switch will shut off toaster. Contact Authorized Service Agent or Hatco for assistance.

**WARNING**

**FIRE HAZARD:**

- For front discharge operation: Allow a minimum clearance of 1” (25 mm) along the sides and rear of unit. Allow a minimum clearance of 12” (305 mm) in the front. If safe distances are not maintained, discoloration or combustion could occur.
- For rear discharge operation: Allow a minimum clearance of 1” (25 mm) along the sides of unit. Allow a minimum clearance of 12” (305 mm) in the front and rear. If safe distances are not maintained, discoloration or combustion could occur.
- Do not locate toaster under shelving or closer than 12” (305 mm) from the ceiling.
- Do not place anything on top of toaster. Do not place toaster near or underneath curtains or other combustible materials. Items near or on top of toaster could catch fire causing injury and/or damage to the toaster.
- In case of fire, disconnect toaster from power source immediately. This allows unit to cool, making it easier and safer to put out fire.

Make sure all operators have been instructed on the safe and proper use of the unit.

This unit is not intended for use by children or persons with reduced physical, sensory, or mental capabilities. Ensure proper supervision of children and keep them away from the unit.

This unit has no “user-serviceable” parts. If service is required on this unit, contact an Authorized Hatco Service Agent or contact the Hatco Service Department at 800-558-0607 or 414-671-6350.

**CAUTION**

**BURN HAZARD:**

- Some exterior surfaces on unit will get hot. Use caution when touching these areas.
- Do not remove crumb tray for cleaning until toaster is cool.

Locate unit at the proper counter height in an area that is convenient for use. Location should be level and strong enough to support weight of unit and contents.

Always operate toaster with crumb tray installed.

If warning light comes on, unit is malfunctioning due to fan failure. Turn off unit, disconnect from power supply, and have unit serviced by a qualified technician.

Toasting of coated or buttered products such as garlic bread, cheese sandwiches, and sweet rolls is NOT recommended. Residue will reduce toaster performance and could ignite inside toaster. Using toaster with food products listed above will void unit warranty.

## NOTICE

Do not locate unit in an area subject to temperatures above 85°F (29°C) or grease from grills, fryers, etc. Excessive temperatures and grease could cause damage to unit.

Do not locate toaster in an area that restricts air flow around front or rear of unit. Do not locate toaster in direct discharge path of air conditioning vent or makeup air vent.

Damage to any countertop material caused by heat generated from Hatco equipment is not covered under the Hatco warranty. Contact manufacturer of countertop material for application information.

## NOTICE

Use non-abrasive cleaners and cloths only. Abrasive cleaners and cloths could scratch finish of unit, marring its appearance and making it susceptible to soil accumulation.

This unit is intended for commercial use only—NOT for household use.

Clean unit daily to avoid malfunctions and maintain sanitary operation.

## MODEL DESCRIPTIONS

### All Models

All Toast-Qwik® Conveyor Toasters are fast, reliable, and versatile, toasting 300 to 1800 slices of bread product per hour depending on the specific model. The front or rear discharge lets the operator place a Toast-Qwik toaster where it is most convenient. Every Toast-Qwik toaster includes a toast collector pan, toast feed ramp, removable crumb tray, and a factory attached 6' (1829 mm) cord and plug.

### Power Save Mode with Indicator Light

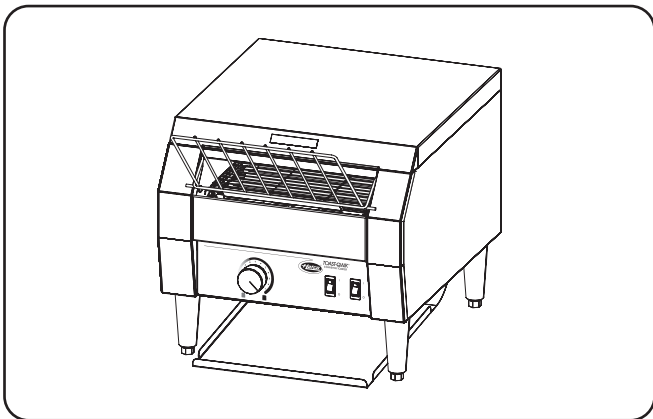
All TQ-400, TQ-800, TQ-1200, and TQ-1800 series toasters have a Power Save mode. During Power Save mode, the indicator light on the Power Save button (⊖) will flash. While the light is flashing, the toaster is operating at 50% power. Full power can be restored within 10 minutes by pushing any button or adjusting any control knob.

### ColorGuard System

All TQ-400, TQ-800, TQ-1200, and TQ-1800 series toasters use a patented ColorGuard Sensing System that monitors and automatically adjusts conveyor speed during high usage periods to assure toast color uniformity.

### TQ-10 Model

The TQ-10 model allows for toasting of bread products up to 1-1/2" (38 mm) thick and 9-5/8" (244 mm) wide. The TQ-10 comes equipped with 4" (102 mm) adjustable legs.



TQ-10 Model

### TQ-400 Model

The TQ-400 model allows for toasting of bread products up to 1-3/4" (44 mm) thick and 9-5/8" (244 mm) wide.

### TQ-405 Model

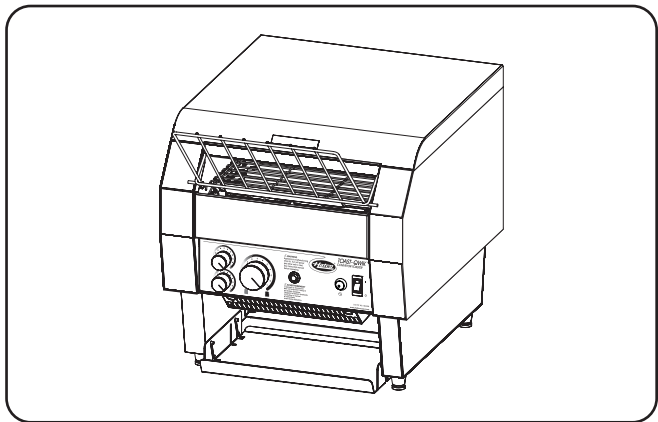
The TQ-405 model allows for toasting of moist or dense bread products up to 1-3/4" (44 mm) thick and 9-5/8" (244 mm) wide.

### TQ-400H Model

The TQ-400H model has a 3" (76 mm) wide opening allowing for toasting of bread products up to 2-3/4" (70 mm) thick and 9-5/8" (244 mm) wide.

### TQ-400BA Model

The TQ-400BA model allows for quick single-sided toasting of sliced bagels or bun products up to 1-3/4" (44 mm) thick and 9-5/8" (244 mm) wide. Most products can be toasted in as little as 45 seconds. Toasts cut side facing up.



TQ-400 Series (TQ-400 shown)

**TQ-800 Model**

The TQ-800 model allows for toasting of bread products up to 1-3/4" (44 mm) thick and 9-5/8" (244 mm) wide.

**TQ-805 Model**

The TQ-805 model allows for toasting of moist or dense bread products up to 1-3/4" (44 mm) thick and 9-5/8" (244 mm) wide.

**TQ-800H Model**

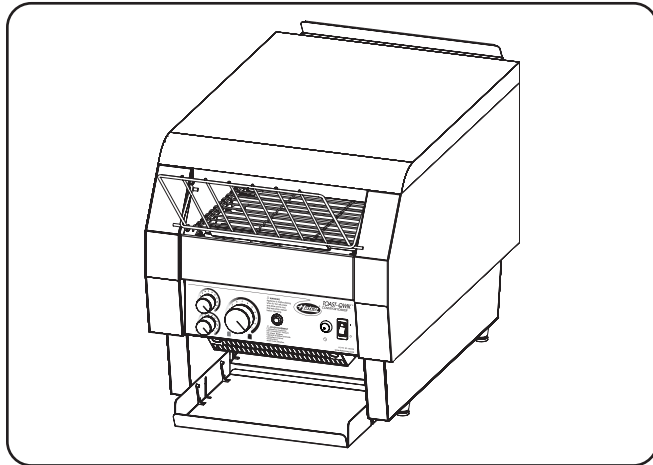
The TQ-800H model has a 3" (76 mm) wide opening allowing for toasting of bread products up to 2-3/4" (70 mm) thick and 9-5/8" (244 mm) wide.

**TQ-800BA Model**

The TQ-800BA model allows for quick single-sided toasting of sliced bagels or bun products up to 1-3/4" (44 mm) thick and 9-5/8" (244 mm) wide. Most products can be toasted in as little as 30 seconds. Toasts cut side facing up.

**TQ-800HBA Model**

The TQ-800HBA model is designed to provide the flexibility and performance to toast one side of sliced bagels or bun products in as little as 30 seconds. Toasts cut side facing up. Maximum product size allowed is 2-3/4" (70 mm) thick and 9-5/8" (244 mm) wide.



TQ-800 Series (TQ-800H shown)

**TQ-1200 Model**

The TQ-1200 is a high speed toaster which has an accelerated conveyor system allowing faster toasting during periods of high demand. Two slices of bread products can be toasted in as little as 15 seconds. This model is capable of toasting bread products up to 1-3/4" (44 mm) thick and 9-5/8" (244 mm) wide.

**TQ-1800 Model**

The TQ-1800 model allows for toasting of bread products up to 1-3/4" (44 mm) thick and 13-5/8" (346 mm) wide.

**TQ-1800H Model**

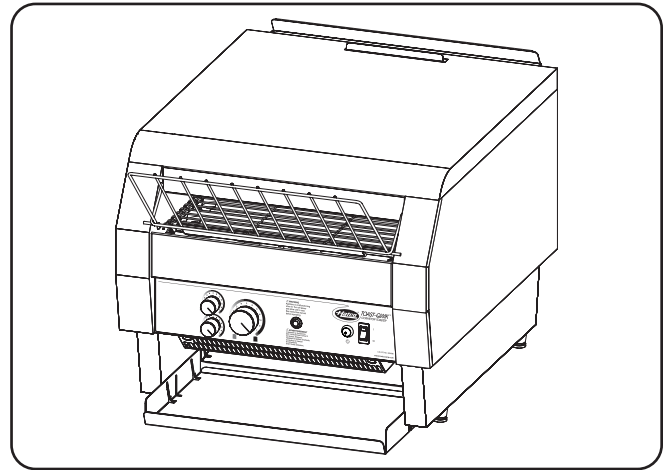
The TQ-1800H model has a 3" (76 mm) wide opening allowing for toasting of bread products up to 2-3/4" (70 mm) thick and 13-5/8" (346 mm) wide.

**TQT-1800BA Model**

The TQ-1800BA model allows for quick single-sided toasting of sliced bagels or bun products up to 1-3/4" (44 mm) thick and 13-5/8" (346 mm) wide. Most products can be toasted in as little as 15 seconds. Toasts cut side facing up.

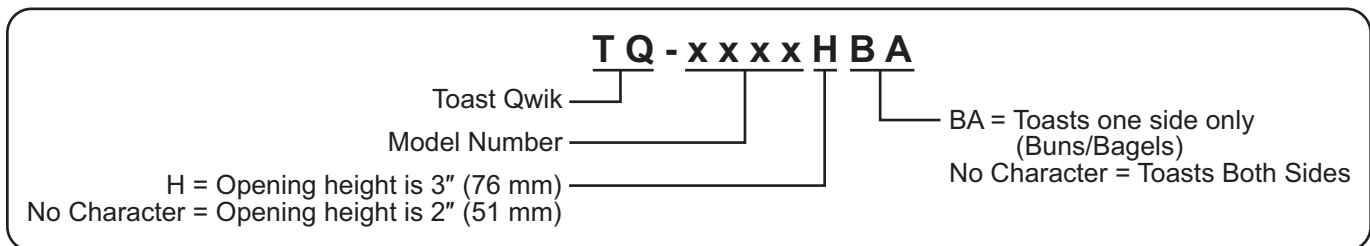
**TQ-1800HBA Model**

The TQ-1800HBA model is designed to provide the flexibility and performance to toast one side of sliced bagels or bun products in as little as 15 seconds. Toasts cut side facing up. Maximum product size allowed is 2-3/4" (70 mm) thick and 13-5/8" (346 mm) wide.



TQ-1800 Series (TQ-1800 shown)

MODEL DESIGNATION



# SPECIFICATIONS

## Plug Configurations

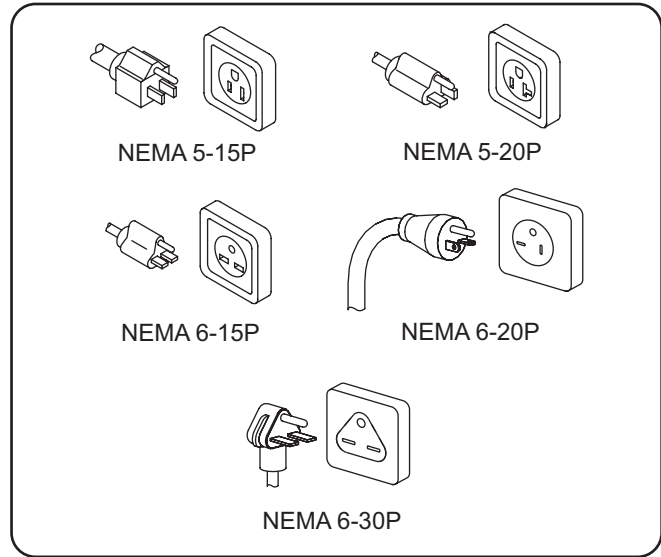
Units are supplied from the factory with an electrical cord and plug. Plugs are supplied according to the application.



**ELECTRIC SHOCK HAZARD:** Plug unit into a properly grounded electrical receptacle of the correct voltage, size, and plug configuration. If plug and receptacle do not match, contact a qualified electrician to determine and install proper voltage and size electrical receptacle.

*NOTE: Receptacles are not supplied by Hatco, but are available as accessories.*

*NOTE: Specification label located on the side of the unit. See label for serial number and verification of unit electrical information.*



Plug Configurations

## Electrical Rating Chart — Model TQ-10

| Model | Voltage | Hertz | Watts | Amps | Plug Configuration | Shipping Weight |
|-------|---------|-------|-------|------|--------------------|-----------------|
| TQ-10 | 120     | 60    | 1800  | 15.0 | NEMA 5-15P *       | 42 lbs. (19 kg) |
|       | 208     |       | 1830  | 8.8  | NEMA 6-15P         |                 |
|       | 240     |       |       | 7.6  |                    |                 |

## Electrical Rating Chart — TQ-400 Series

| Model    | Voltage | Hertz | Watts | Amps | Plug Configuration | Shipping Weight |
|----------|---------|-------|-------|------|--------------------|-----------------|
| TQ-400   | 120     | 60    | 1790  | 14.9 | NEMA 5-15P *       | 46 lbs. (21 kg) |
|          | 208     |       | 2230  | 10.7 | NEMA 6-15P         |                 |
|          | 240     |       |       | 9.3  |                    |                 |
| TQ-400H  | 208     | 60    | 2230  | 10.7 | NEMA 6-15P         | 46 lbs. (21 kg) |
|          | 240     |       |       | 9.3  |                    |                 |
| TQ-400BA | 120     | 60    | 1780  | 14.8 | NEMA 5-15P*        | 46 lbs. (21 kg) |
|          | 208     |       | 1880  | 9.0  | NEMA 6-15P         |                 |
|          | 240     |       |       | 7.8  |                    |                 |

\* NEMA 5-20P for Canada.



**Electrical Rating Chart — TQ-800 Series**

| Model     | Voltage | Hertz | Watts | Amps | Plug Configuration | Shipping Weight |
|-----------|---------|-------|-------|------|--------------------|-----------------|
| TQ-800    | 208     | 60    | 3330  | 16.0 | NEMA 6-20P †       | 64 lbs. (29 kg) |
|           | 240     |       |       | 13.9 | NEMA 6-15P ‡ †     |                 |
| TQ-800H   | 208     | 60    | 3330  | 16.0 | NEMA 6-20P †       | 62 lbs. (28 kg) |
|           | 240     |       |       | 13.9 | NEMA 6-15P ‡ †     |                 |
| TQ-800BA  | 208     | 60    | 3280  | 15.8 | NEMA 6-20P †       | 62 lbs. (28 kg) |
|           | 240     |       |       | 13.7 | NEMA 6-15P ‡ †     |                 |
| TQ-800HBA | 208     | 60    | 3280  | 15.8 | NEMA 6-20P †       | 65 lbs. (29 kg) |
|           | 240     |       |       | 13.7 | NEMA 6-15P ‡ †     |                 |

**Electrical Rating Chart — Model TQ-1200**

| Model   | Voltage | Hertz | Watts | Amps | Plug Configuration | Shipping Weight |
|---------|---------|-------|-------|------|--------------------|-----------------|
| TQ-1200 | 208     | 60    | 4030  | 19.4 | NEMA 6-30P         | 65 lbs. (30 kg) |
|         | 240     |       |       | 16.8 |                    |                 |

**Electrical Rating Chart — TQ-1800 Models**

| Model      | Voltage | Hertz | Watts | Amps | Plug Configuration | Shipping Weight |
|------------|---------|-------|-------|------|--------------------|-----------------|
| TQ-1800    | 208     | 60    | 4440  | 21.4 | NEMA 6-30P         | 73 lbs. (33 kg) |
|            | 240     |       |       | 18.5 |                    |                 |
| TQ-1800H   | 208     | 60    | 4650  | 22.4 | NEMA 6-30P         | 76 lbs. (34 kg) |
|            | 240     |       |       | 19.4 |                    |                 |
| TQ-1800BA  | 208     | 60    | 4580  | 22.0 | NEMA 6-30P         | 75 lbs. (34 kg) |
|            | 240     |       |       | 19.1 |                    |                 |
| TQ-1800HBA | 208     | 60    | 4580  | 22.0 | NEMA 6-30P         | 74 lbs. (34 kg) |
|            | 240     |       |       | 19.1 |                    |                 |

\* NEMA 5-20P for Canada

† Available with optional 6-30P cord

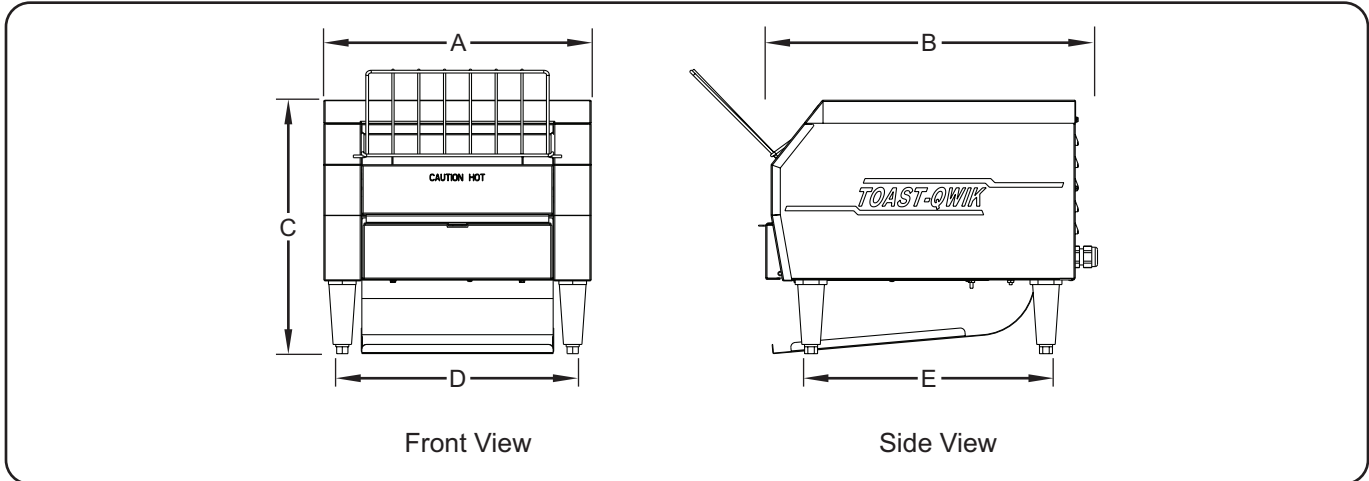
‡ NEMA 6-20P cord for Canada

# SPECIFICATIONS

English

## Dimensions — Model TQ-10

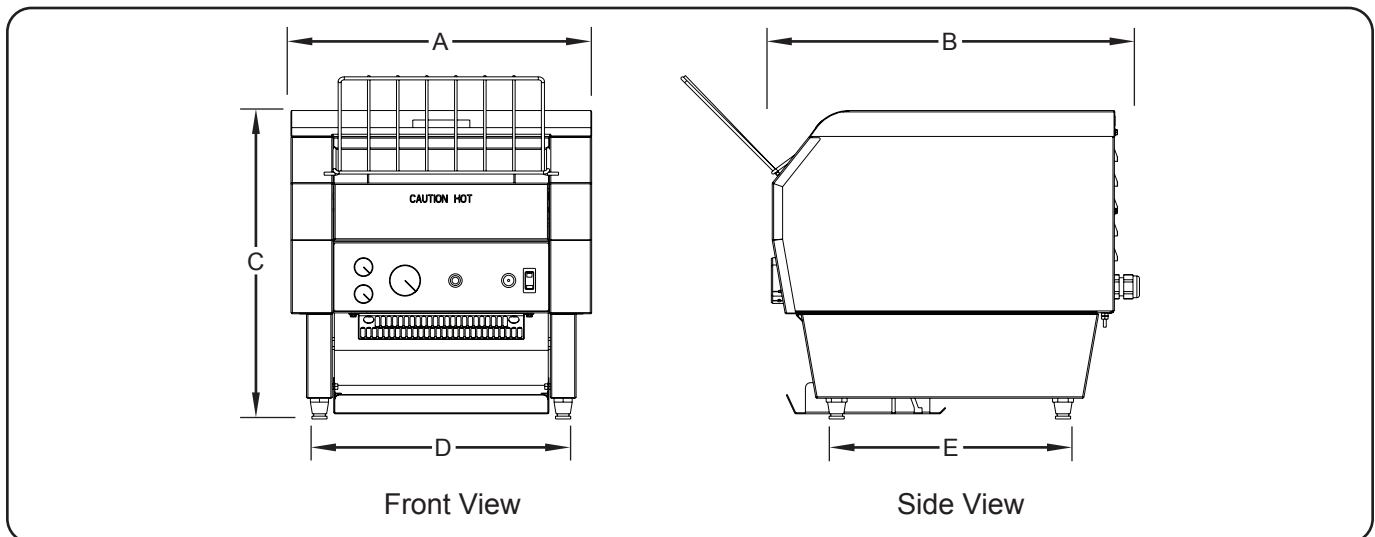
| Model | Width (A)           | Depth (B)           | Height (C)          | Footprint Width (D) | Footprint Depth (E) |
|-------|---------------------|---------------------|---------------------|---------------------|---------------------|
| TQ-10 | 14-1/2"<br>(368 mm) | 17-3/4"<br>(451 mm) | 13-3/4"<br>(349 mm) | 13-1/8"<br>(333 mm) | 13-3/8"<br>(340 mm) |





## Dimensions — TQ-400, -405, -400H, -800, -805, -1200, and -1800 Models

| Model      | Width (A)           | Depth (B)           | Height (C)          | Footprint Width (D) | Footprint Depth (E) |
|------------|---------------------|---------------------|---------------------|---------------------|---------------------|
| TQ-400     | 14-1/2"<br>(368 mm) | 17-3/4"<br>(451 mm) | 14-7/8"<br>(378 mm) | 12-3/8"<br>(314 mm) | 11-5/8"<br>(295 mm) |
| TQ-405     | 14-1/2"<br>(368 mm) | 17-3/4"<br>(451 mm) | 14-7/8"<br>(378 mm) | 12-3/8"<br>(314 mm) | 11-5/8"<br>(295 mm) |
| TQ-400H    | 14-1/2"<br>(368 mm) | 17-3/4"<br>(451 mm) | 15-7/8"<br>(403 mm) | 12-3/8"<br>(314 mm) | 11-5/8"<br>(295 mm) |
| TQ-400BA   | 14-1/2"<br>(368 mm) | 17-3/4"<br>(451 mm) | 14-7/8"<br>(378 mm) | 12-3/8"<br>(314 mm) | 11-5/8"<br>(295 mm) |
| TQ-800     | 14-1/2"<br>(368 mm) | 22-3/4"<br>(578 mm) | 16-5/8"<br>(422 mm) | 12-3/8"<br>(314 mm) | 13-1/2"<br>(344 mm) |
| TQ-805     | 14-1/2"<br>(368 mm) | 22-3/4"<br>(578 mm) | 16-5/8"<br>(422 mm) | 12-3/8"<br>(314 mm) | 13-1/2"<br>(344 mm) |
| TQ-800H    | 14-1/2"<br>(368 mm) | 22-3/4"<br>(578 mm) | 16-5/8"<br>(422 mm) | 12-3/8"<br>(314 mm) | 13-1/2"<br>(344 mm) |
| TQ-800BA   | 14-1/2"<br>(368 mm) | 22-3/4"<br>(578 mm) | 16-5/8"<br>(422 mm) | 12-3/8"<br>(314 mm) | 13-1/2"<br>(344 mm) |
| TQ-800HBA  | 14-1/2"<br>(368 mm) | 22-3/4"<br>(578 mm) | 16-5/8"<br>(422 mm) | 12-3/8"<br>(314 mm) | 13-1/2"<br>(344 mm) |
| TQ-1200    | 14-1/2"<br>(368 mm) | 22-3/4"<br>(578 mm) | 16-5/8"<br>(422 mm) | 12-3/8"<br>(314 mm) | 13-1/2"<br>(344 mm) |
| TQ-1800    | 18-1/2"<br>(470 mm) | 22-3/4"<br>(578 mm) | 16-5/8"<br>(422 mm) | 16-3/8"<br>(416 mm) | 13-1/2"<br>(344 mm) |
| TQ-1800H   | 18-1/2"<br>(470 mm) | 22-3/4"<br>(578 mm) | 16-5/8"<br>(422 mm) | 16-3/8"<br>(416 mm) | 13-1/2"<br>(344 mm) |
| TQ-1800BA  | 18-1/2"<br>(470 mm) | 22-3/4"<br>(578 mm) | 16-5/8"<br>(422 mm) | 16-3/8"<br>(416 mm) | 13-1/2"<br>(344 mm) |
| TQ-1800HBA | 18-1/2"<br>(470 mm) | 22-3/4"<br>(578 mm) | 16-5/8"<br>(422 mm) | 16-3/8"<br>(416 mm) | 13-1/2"<br>(344 mm) |



## General

Hatco Toast-Qwik® Conveyor Toasters are shipped with most components pre-assembled. Care should be taken when unpacking the shipping carton to avoid damage to the unit and the components enclosed.

### **⚠ WARNING**

**ELECTRIC SHOCK HAZARD:** Unit is not weatherproof. Locate unit indoors where ambient air temperature is a minimum of 70°F (21°C) and a maximum of 85°F (29°C).

**EXPLOSION HAZARD:** Do not store or use gasoline or other flammable vapors or liquids in the vicinity of this or any other appliance.

### **FIRE HAZARD:**

- Do not locate toaster under shelving or closer than 12" (305 mm) from the ceiling.
- Do not place anything on top of toaster. Do not place toaster near or underneath curtains or other combustible materials. Items near or on top of toaster could catch fire causing injury and/or damage to the toaster.

1. Remove the unit from the carton.

*NOTE: To prevent delay in obtaining warranty coverage, complete online warranty registration. See the IMPORTANT OWNER INFORMATION section for details.*

2. Remove tape and protective packaging from all surfaces of the unit.

### **⚠ CAUTION**

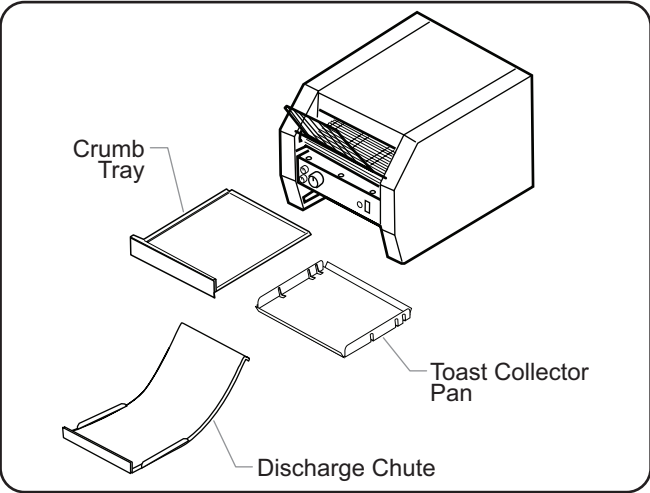
Locate unit at the proper counter height in an area that is convenient for use. Location should be level and strong enough to support weight of unit and contents.

### **NOTICE**

Do not locate unit in an area subject to temperatures above 85°F (29°C) or grease from grills, fryers, etc. Excessive temperatures and grease could cause damage to unit.

3. Place the unit in the desired location.
  - Locate the unit in an area where the ambient air temperature is constant and between 70°F (21°C) and 85°F (29°C). Avoid areas that may be subject to active air movements or currents (i.e., near exhaust fans/hoods, air conditioning ducts, and exterior doors).
  - Make sure the unit is at the proper counter height in an area convenient for use.
  - Make sure the countertop is level and strong enough to support the weight of the unit and food product.
  - Make sure all the feet on the bottom of the unit are positioned securely on the countertop.
4. Level the unit by turning the leveling feet on each leg, if necessary.

5. Install the front or rear discharge chutes. Refer to the "Front or Rear Discharge Installation" procedure in this section.

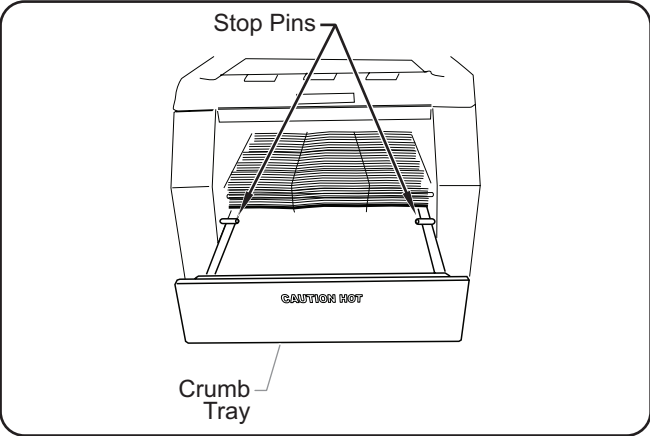


Components

### **⚠ CAUTION**

**Always operate toaster with crumb tray installed.**

6. Install the crumb tray.
  - a. Position the crumb tray directly below the stop pins under the conveyor belt at the front of the toaster.
  - b. Slide the crumb tray into the toaster until the front of the crumb tray meets the stop pins.



Installing the Crumb Tray

## Front or Rear Discharge Installation

Toast-Qwik units can be set up so toasted product discharges at either the front or the rear of the unit.



### FIRE HAZARD:

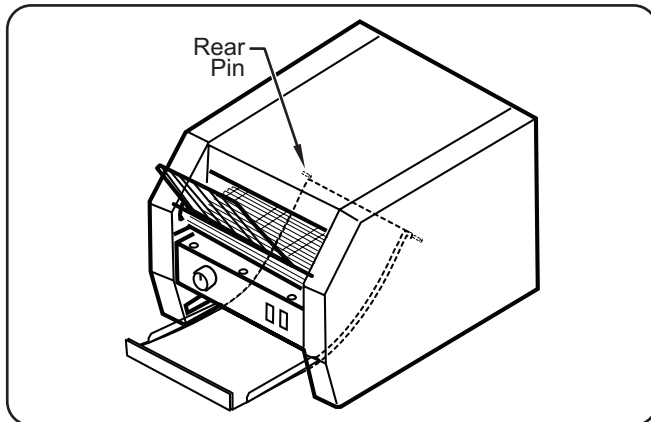
- For front discharge operation: Allow a minimum clearance of 1" (25 mm) along the sides and rear of unit. Allow a minimum clearance of 12" (305 mm) in the front. If safe distances are not maintained, discoloration or combustion could occur.
- For rear discharge operation: Allow a minimum clearance of 1" (25 mm) along the sides of unit. Allow a minimum clearance of 12" (305 mm) in the front and rear. If safe distances are not maintained, discoloration or combustion could occur.

### Model TQ-10

Model TQ-10 uses a one piece discharge chute/collector pan. The installation location determines the discharge area.

For front discharge:

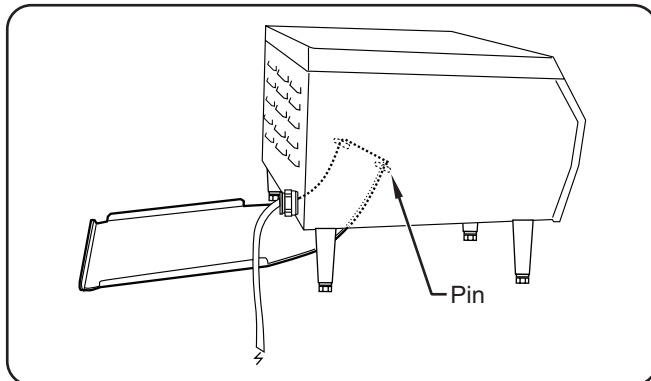
- Slide the toaster chute into the toaster from the front of the toaster with the rear lip of the chute on the rear most pins.



TQ-10 Front Discharge

For rear discharge:

- Slide the toaster chute into the toaster from the rear of the toaster with the lip of the chute over the inside set of pins.



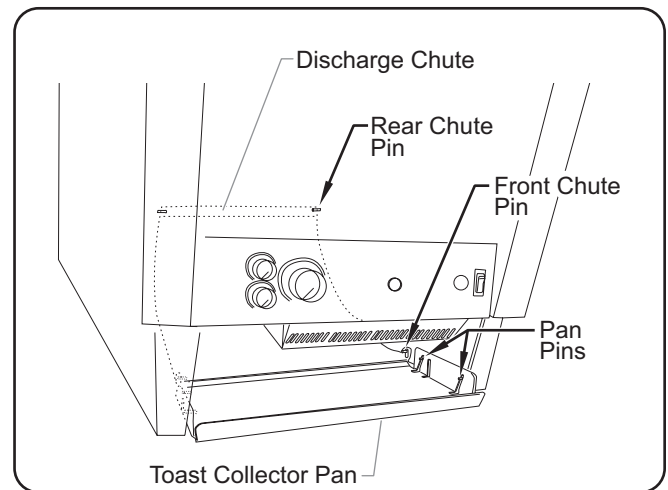
TQ-10 Rear Discharge

## TQ-400, -800, -1200, and -1800 Series

TQ-400, -800, -1200, and -1800 series toasters use a separate discharge chute and toast collector pan. The installation location determines the discharge area.

For front discharge:

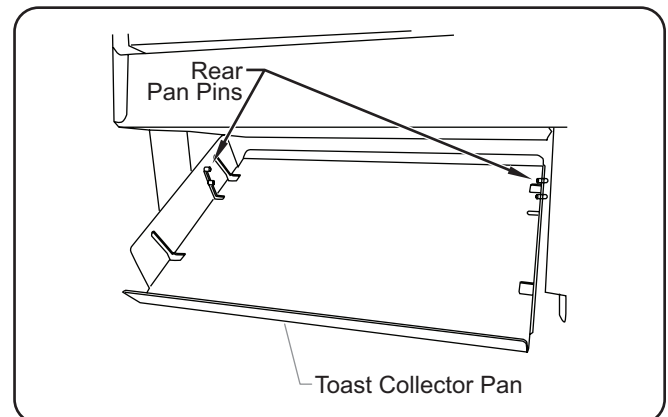
1. Install the discharge chute.
  - Place the curved end inward until the rear lip of the chute is on the rear chute pins.
  - Lower the front slots of the chute onto the front chute pins.
2. Position the toast collector pan, with the open end in first, over the pan pins.
  - Align the slanted notches over the pan pins and lower into place.



TQ-400, -800, -1200, and -1800 Series Front Discharge

For rear discharge:

1. Remove the discharge chute if it is installed. It is not used for rear discharge.
2. Slide the toast collector pan, with the open end first, over the set of pan pins at the rear of the unit.
  - Align the slanted notches over the two sets of rear pan pins and lower into place.



TQ-400, -800, -1200, and -1800 Series Rear Discharge

## General

The Toast-Qwik® Conveyor Toaster is designed for ease of operation. To operate the toaster perform the appropriate procedure in this section.



Read all safety messages in the **IMPORTANT SAFETY INFORMATION** section before operating this equipment.



### BURN HAZARD:

- Some exterior surfaces on unit will get hot. Use caution when touching these areas.
- Do not remove crumb tray for cleaning until toaster is cool.

**If warning light comes on, unit is malfunctioning due to fan failure. Turn off unit, disconnect from power supply, and have unit serviced by a qualified technician.**

**Always operate toaster with crumb tray installed.**

The toasting of coated or buttered products such as garlic bread, cheese sandwiches, and sweet rolls is **NOT** recommended. Residue will reduce toaster performance and could ignite inside the toaster. Using the toaster with the food products listed above will void the unit warranty.

## TQ-10 Models

### Control Panel

The following are descriptions of the controls used to operate the unit. All controls are located on the control panel on the front of the unit.

#### Top Heat I/O Switch

The Top Heat (☰) I/O Switch controls power to the top heating element. The icon indicates that the heat will radiate down from above.

#### Bottom Heat I/O Switch

The Bottom Heat (☷) I/O Switch controls power to the bottom heating element. The icon indicates that the heat will be rise up from below.

### Color Control

The Color Control adjusts the toasting color using the speed of the conveyor. Turning the Color Control clockwise will toast products to a darker color (■). Turning the Color Control counterclockwise will toast products to a lighter color (□).

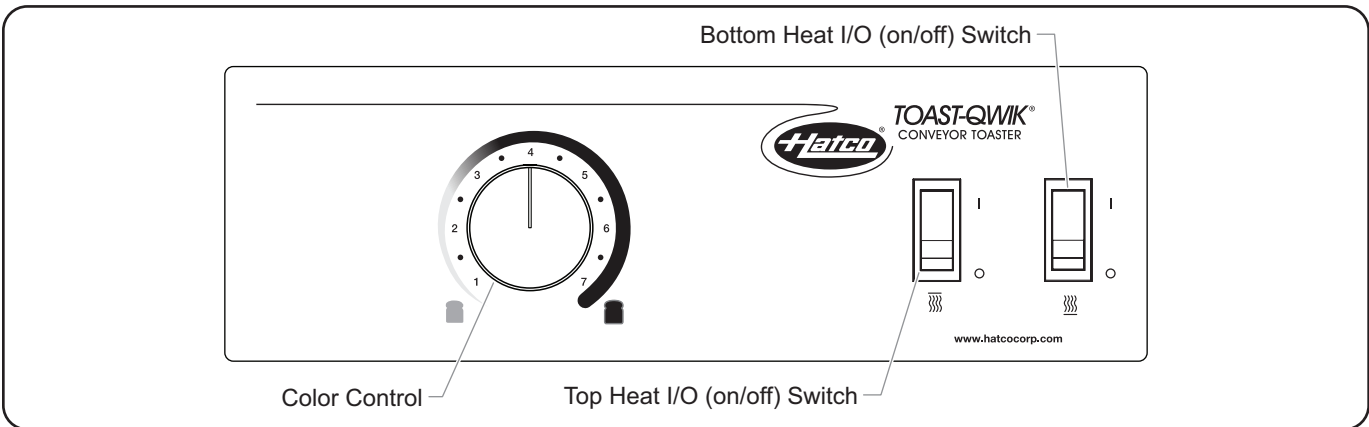
### Operating TQ-10 Models

1. Plug toaster into a properly grounded electrical outlet of the correct voltage, size, and plug configuration. See the SPECIFICATIONS section for details.
2. Move the ☰ and/or ☷ I/O switches to the I position.
  - To toast the **top and bottom sides of the bread**, move the ☰ and ☷ I/O switches to the I (on) position.
  - To toast on the **top side only**, move the ☰ I/O switch in the I position and the ☷ I/O switch to the O position.
  - To toast on the **bottom side only**, move the ☷ I/O switch in the O position and the ☰ I/O switch to the I position.
3. Turn the Color Control to the lightest position while the unit heats up.

*NOTE: Allow approximately 15 to 20 minutes for a warm-up period.*

4. After warm-up period, set the Color Control to the medium position and toast two slices of bread product then re-adjust the Color Control to the desired setting.

*NOTE: To toast moist products such as English Muffins, rye bread or whole wheat, slow the conveyor by turning the Color Control knob to a darker setting (clockwise).*



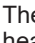
Control Panel — TQ-10 Series

## TQ-400, -800, -1200, and -1800 Series

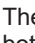
### Control Panel

The following are descriptions of the controls used to operate the unit. All controls are located on the control panel on the front of the unit.



#### Top Heat Control

The Top Heat () Control adjusts the amount of heat to the top heating element. The icon indicates that the heat will radiate down from above.

#### Bottom Heat Control

The Bottom Heat () Control adjusts the amount of heat to the bottom heating element. The icon indicates that the heat will be rise up from below.

### Color Control




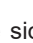

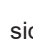
The Color Control adjusts the toasting color using the speed of the conveyor. Turning the Color Control clockwise will toast products to a darker color (). Turning the Color Control counterclockwise will toast products to a lighter color ().

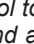


### Power I/O (On/Off) Switch


The Power I/O (on/off) Switch controls power to the entire unit.

## Operating TQ-400, -800, -1200, and -1800 Series

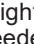
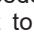
**NOTE:** TQ-400BA, -800BA, -800HBA, -1800BA, and -1800HBA toasters are designed specifically for toasting one side of a bread product, such as a bun or bagel. These models toast with the cut side facing up.

1. Plug the unit into a properly grounded electrical receptacle of the correct voltage, size, and plug configuration. See the SPECIFICATIONS section for details.
2. Move the Power I/O (on/off) switch in the I (on) position.
3. Adjust the  and/or  Controls.
  - For two sided toasting, turn the  Control and  Control clockwise to the highest setting.
  - For one sided toasting, turn the  Control clockwise to the highest setting and turn the  Control counterclockwise to the lowest setting.

**NOTE:** When toasting a single-sided product such as a bun or bagel, place the product with the cut side facing up. Adjust the  Control to a light setting, toast two slices of bread product and adjust the  and/or  Controls as needed.

4. Turn the Color Control fully counterclockwise () while the toaster heats up.

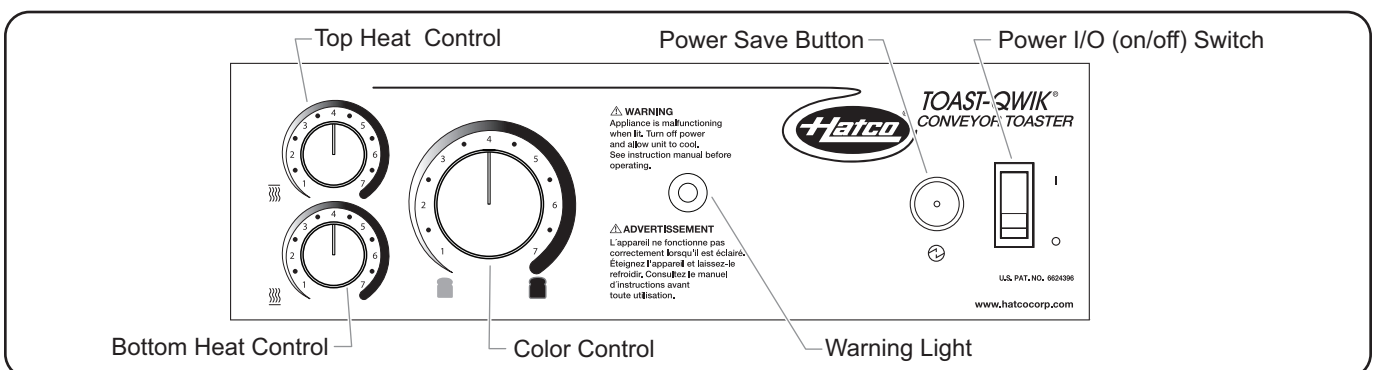
**NOTE:** Allow approximately 15 to 20 minutes for a warm-up period.

5. After warm-up period, toast two slices of bread product. Adjust the Color Control if needed.
  - If toasted bread product is too dark with the Color Control set on the lightest setting, adjust the  and/or  controls as needed. (Allow 15 to 20 minutes for toaster to re-adjust to new setting before resuming operation.)
  - If toasted bread product is too light with the Color Control set on the lightest setting, adjust the Color Control as needed. (Allow 15 to 20 minutes for toaster to re-adjust to new setting before resuming operation.)

**NOTE:** To toast moist products such as English Muffins, rye bread or whole wheat, slow the conveyor by turning the Color Control knob to a darker setting (clockwise).

### IMPORTANT NOTE

If the warning light comes on, the unit may be overheating. Turn off and unplug the unit. Refer to the “Daily Cleaning” procedure to clean the cooling fan vents. If the unit does not function properly after cleaning the cooling fan vents, contact an Authorized Service Agent or Hatco for assistance.



Control Panel — TQ-400, -800, -1200, and -1800 Series, Single-Sided Toaster

## Power Save Mode

All TQ-400, -800, -1200, and -1800 series toasters have a built-in Power Save mode with an indicator light feature. This feature allows the toaster to go into a stand-by mode and reduces power to the heating elements by 50 percent. During Power Save mode, the Power Save button will flash.

To activate Power Save mode:

1. Press the Power Save button (⊖). The Power Save button will flash.

To deactivate Power Save mode:

1. Press the Power Save button (⊖) or turn any knob. The Power Save button will illuminate and no longer flash.

*NOTE: Allow a minimum of 2–3 minutes before toasting. Unit is back up to full power within 10 minutes.*

## ColorGuard System

All TQ-400, -800, -1200, and -1800 series toasters use a patented ColorGuard sensing system that monitors and automatically adjust conveyor speed during high usage periods to assure toast color uniformity.

*NOTE: The ColorGuard sensing system is inoperable for approximately ten minutes after any heat adjustments are made.*

## Adjusting the Toast Feed Ramp

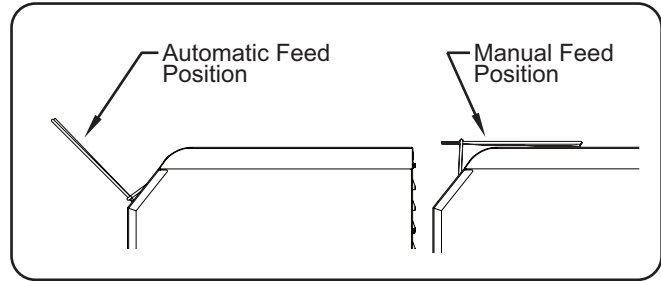
The toast feed ramp is installed at the factory and can be used in two positions.

### Automatic Feed Position

For automatic feed, the toast feed ramp should be in an upright position. Bread products enter the toaster by placing them on the feed ramp and releasing.

### Manual Feed Position

For manual feed, the toast feed ramp should be in a horizontal position on top of the toaster. Bread products are manually loaded by placing directly on the conveyor belt.



Toast Feed Ramp



## General

Hatco Toast-Qwik® Conveyor Toasters are designed for maximum durability and performance with minimum maintenance.

### WARNING

#### ELECTRIC SHOCK HAZARD:

- Turn OFF power switch, unplug power cord, and allow unit to cool before performing maintenance, cleaning, setup, or attempting to clear a jam.
- DO NOT submerge or saturate with water. Unit is not waterproof. Do not operate if unit has been submerged or saturated with water.
- Do not steam clean or use excessive water on unit.
- This unit is not “jet-proof” construction. Do not use jet-clean spray to clean this unit.
- Do not clean unit when it is energized or hot.
- Do not allow liquids to spill into unit.
- This unit must be serviced by qualified personnel only. Service by unqualified personnel may lead to electric shock or burn.
- Use only Genuine Hatco Replacement Parts when service is required. Failure to use Genuine Hatco Replacement Parts will void all warranties and may subject operators of the equipment to hazardous electrical voltage, resulting in electrical shock or burn. Genuine Hatco Replacement Parts are specified to operate safely in the environments in which they are used. Some aftermarket or generic replacement parts do not have the characteristics that will allow them to operate safely in Hatco equipment.

This unit has no “user-serviceable” parts. If service is required on this unit, contact an Authorized Hatco Service Agent or contact the Hatco Service Department at 800-558-0607 or 414-671-6350.

## Daily Cleaning

To preserve the finish of the unit, it is recommended that the metal surfaces be wiped daily with a damp cloth.

### WARNING

Submerging or saturating unit with water will damage the unit and void unit warranty.

### NOTICE

Use non-abrasive cleaners and cloths only. Abrasive cleaners and cloths could scratch finish of unit, marring its appearance and making it susceptible to soil accumulation.

Clean unit daily to avoid malfunctions and maintain sanitary operation.

1. Turn off the unit, unplug the power cord, and allow the unit to cool.
2. Remove and empty the crumb tray and the toast collector pan.
  - a. Wash the crumb tray and the toast collector pan with warm water and a mild detergent. Rinse with water.
  - b. Allow the crumb tray and toast collector pan to air dry, or dry with a soft cloth.

### CAUTION

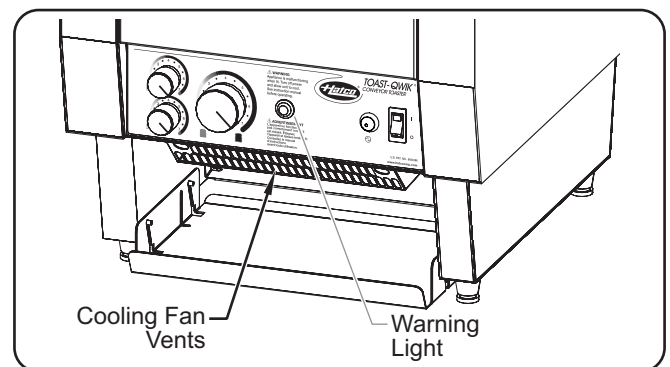
**BURN HAZARD: Do not remove crumb tray for cleaning until toaster is cool.**

3. Wipe the exterior surfaces of the toaster with a non-abrasive, damp cloth.
4. Stubborn stains may be removed with a good stainless steel cleaner or a non-abrasive cleaner. Hard to reach areas should be cleaned with a small brush and mild soap.

*NOTE: The conveyor gear motor and conveyor system are permanently lubricated and require no lubrication.*

5. Check the cooling fan vents and clean any debris

*NOTE: TQ-400, -800, -1200, and -1800 series toasters are equipped with a cooling fan directly below the control panel area. Check/clean the cooling fan vents monthly or anytime the warning light illuminates. For excessive buildup, use a vacuum cleaner to clear the vents. Clogged vents will cause the toaster to overheat and shut down.*



Cooling Fan Vents (TQ-400 shown)

6. Reinstall the crumb tray and toast collector pan. Refer to the INSTALLATION section for instructions.

## Cleaning the Toast Feed Ramp

1. Remove the toast feed ramp by pressing in the two wire spokes and lifting.
2. Wipe clean with a non-abrasive, damp cloth or soak the ramp in a mild solution of 1 cup (227 mL) ammonia and 1 gallon (3.785 L) of water.
3. Reinstall the toast feed ramp by aligning the wire spokes with the holes in the toaster.

## Cleaning the Bottom Element Reflector

The bottom heating element reflector inside the toasting chamber has slots that allow bread crumbs to drop through to the crumb tray. Over an extended period of use, bread crumbs may build up on the reflector and not drop through onto the tray.

1. Turn off the unit, unplug the power cord, and allow the unit to cool.
2. Wipe the crumbs onto the crumb tray using a bristle brush.
  - To wipe the reflector, place the bristle brush through the conveyor belt and wipe to each side.
3. Perform the “Daily Cleaning” procedure in this section.





This unit must be serviced by qualified personnel only. Service by unqualified personnel may lead to electric shock or burn.



**ELECTRIC SHOCK HAZARD:** Turn OFF power switch, unplug power cord, and allow unit to cool before performing any cleaning, setup, or maintenance.

| Symptom                                    | Probable Cause                                                                                            | Corrective Action                                                                                                                                                                         |
|--------------------------------------------|-----------------------------------------------------------------------------------------------------------|-------------------------------------------------------------------------------------------------------------------------------------------------------------------------------------------|
| Toast too light.                           | Color Control knob set on a light setting.                                                                | Turn Color Control knob to a darker setting.                                                                                                                                              |
|                                            | Supply voltage to unit is low.                                                                            | Verify the supply voltage to the toaster matches the unit specifications.                                                                                                                 |
| Toast too dark.                            | Color Control knob set on a dark setting.                                                                 | Turn Color Control knob to a lighter setting.                                                                                                                                             |
|                                            | Supply voltage to unit is high.                                                                           | Verify the supply voltage to the toaster matches the unit specifications.                                                                                                                 |
| Unit takes too long to toast.              | The first few batches can take longer because the toaster needs time to heat up when initially turned on. | Allow toaster to heat up to full operating temperature before inserting bread product (approximately 15–20 minutes).                                                                      |
|                                            | Supply voltage to unit is low.                                                                            | Verify the supply voltage to the toaster matches the unit specifications.                                                                                                                 |
| Unit toasts on one side only.              | Toaster is a “buns” only model. (Model contains BA in model name.)                                        | Unit is designed to perform in this way.                                                                                                                                                  |
|                                            | Bottom Heat (☺☺☺) or Top Heat (☺☺☺) control set too low or in the O position.                             | Turn the ☺☺☺ or ☺☺☺ control to a higher setting or to the I position.                                                                                                                     |
|                                            | Heating element defective.                                                                                | Visually check the heating element. With the unit turned on, the heating element should glow red. If the element does not glow, Contact Authorized Service Agent or Hatco for assistance. |
| Toaster trips the circuit breaker or GFCI. | Circuit breaker is not sized properly for the toaster.                                                    | Check circuit breaker for proper sizing.                                                                                                                                                  |
|                                            | Wiring fault inside toaster.                                                                              | Contact Authorized Service Agent or Hatco for assistance.                                                                                                                                 |
| Toaster conveyor doesn't move.             | Bread slices or buns jammed in conveyor track.                                                            | Turn off unit, wait for unit to cool, and remove bread product jamming the conveyor.                                                                                                      |

### Troubleshooting Questions?

If you continue to have problems resolving an issue, please contact the nearest Authorized Hatco Service Agency or Hatco for assistance. To locate the nearest Service Agency, log onto the Hatco website at [www.hatcocorp.com](http://www.hatcocorp.com), select the *Support* pull-down menu, and click on “Find A Service Agent”; or contact the **Hatco Parts and Service Team** at:

**Telephone: 800-558-0607 or 414-671-6350**

**e-mail: [support@hatcocorp.com](mailto:support@hatcocorp.com)**

### Security Cover

The lockable security cover flips up and down to limit access to the control panel.

1. Remove the crumb tray.
2. Remove the two front screws on the platform above the controls.
3. Position the security cover over the control panel, aligning the mounting holes on the security cover with the screw holes on the platform.
4. Reinstall the two screws through the security cover and into the platform. Tighten securely.
5. Reinstall the crumb tray.

### Extended Feed Guide

The extended feed guide accessory adds 3" (76 mm) to the feed ramp (not available for TQ-1800 models).

### Automatic Power Save Mode

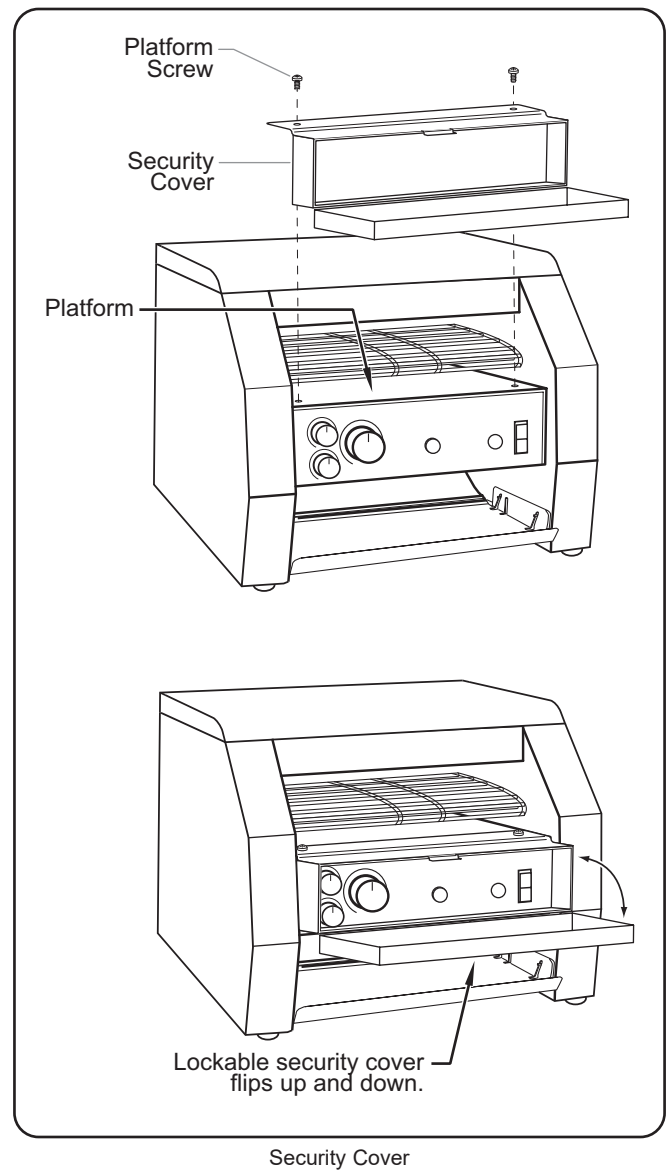
The optional automatic Power Save mode feature switches to power save mode after 30 minutes of inactivity (not available for TQ-10 models).

### 30 Amp Cord (TQ-800 Models)

An optional 30 Amp cord (NEMA 6-30P plug) is available for 208 volt TQ-800 models only.

### Receptacles

Receptacles are available as accessories for units using NEMA 5-20P, NEMA 6-20P, or NEMA 6-30P plugs.



## WARRANTY, EXCLUSIVE REMEDY:

Hatco Corporation (Seller) warrants that the products it manufactures (Products) will be free from defects in materials and workmanship under normal use and service and when stored, maintained, and installed in strict accordance with factory recommendations. Seller's sole obligation to the person or entity buying the Products directly from Seller (Customer) under this warranty is the repair or replacement by Seller or a Seller-authorized service agency, at Seller's option, of any Product or any part thereof deemed defective upon Seller's examination, for a period of: (i) the Warranty Duration from the date of shipment by Seller or (ii) the Warranty Duration from the date of Product registration in accordance with Seller's written instructions, whichever is later. The "Warranty Duration" shall mean the specific periods set forth below for specific Product components, or, to the extent not listed below, eighteen (18) months. Credit for Products or parts returned with the prior written permission of Seller will be subject to the terms shown on Seller's material return authorization form. PRODUCTS OR PARTS RETURNED WITHOUT PRIOR WRITTEN PERMISSION OF SELLER WILL NOT BE ACCEPTED FOR CREDIT. Expenses incurred by Customer in returning, replacing, or removing the Products will not be reimbursed by Seller. If the defect comes under the terms of the limited warranty, the Products will be repaired or replaced and returned to the Customer and the cost of return freight will be paid by Seller. The remedy of repair or replacement provided for herein is Customer's exclusive remedy. Any improper use, alteration, repairs, tampering, misapplication, improper installation, application of improper voltage, or any other action or inaction by Customer or others (including the use of any unauthorized service agency) that in Seller's sole judgment adversely affects the Product shall void this warranty. The warranty expressly provided herein may only be asserted by Customer and may not be asserted by Customer's customers or other users of the Products; provided, however, that if Customer is an authorized equipment dealer of Seller, Customer may assign the warranty herein to Customer's customers, subject to all of the limitations of these Terms, and in such case, the warranty shall be exclusively controlled by Seller in accordance with these Terms. THIS LIMITED WARRANTY IS EXCLUSIVE AND IS IN LIEU OF ANY OTHER WARRANTY, EXPRESSED OR IMPLIED, INCLUDING BUT NOT LIMITED TO ANY IMPLIED WARRANTY OF NONINFRINGEMENT, MERCHANTABILITY, OR FITNESS FOR A PARTICULAR PURPOSE, WHICH ARE EXPRESSLY DISCLAIMED.

### One (1) Year Parts and Labor PLUS One (1) Additional Year Parts-Only Warranty:

- Conveyor Toaster Elements (metal sheathed)
- Drawer Warmer Elements (metal sheathed)
- Drawer Warmer Drawer Rollers and Slides
- Food Warmer Elements (metal sheathed)
- Display Warmer Elements (metal sheathed air heating)
- Holding Cabinet Elements (metal sheathed air heating)
- Heated Well Elements — HW, HWB, and HWBI Series (metal sheathed)

### Two (2) Year Parts and Labor Warranty:

- Induction Ranges
- Induction Warmers

### One (1) Year Replacement Warranty:

- TPT Pop-Up Toasters

### One (1) Year Parts and Labor PLUS Four (4) Years Parts-Only Warranty:

- 3CS and FR Tanks

### One (1) Year Parts and Labor PLUS Nine (9) Years Parts-Only Warranty:

- Electric Booster Heater Tanks
- Gas Booster Heater Tanks

### Ninety (90) Day Parts-Only Warranty:

- Replacement Parts

Notwithstanding anything herein to the contrary, the limited warranty herein will not cover components in Seller's sole discretion such as, but not limited to, the following: coated incandescent light bulbs, fluorescent lights, heat lamp bulbs, coated halogen light bulbs, halogen heat lamp bulbs, xenon light bulbs, LED light tubes, glass components, and fuses; Product failure in booster tank, fin tube heat exchanger, or other water heating equipment caused by liming, sediment buildup, chemical attack, or freezing.

## WARRANTY REGISTRATION INSTRUCTIONS:

Product registration must be submitted within 90 days from the date of shipment from our factory to qualify for additional coverage. Registration may be submitted through the form on Seller's website, through the form accessible through the QR code on the Product (where available), or by calling Customer Service with the required information at: **800-558-0607** or **414-671-6350**.

## LIMITATION OF LIABILITY:

SELLER WILL NOT BE LIABLE FOR ANY INDIRECT, INCIDENTAL, CONSEQUENTIAL, PUNITIVE, EXEMPLARY, OR SPECIAL DAMAGES, INCLUDING WITHOUT LIMITATION ANY LOST PROFITS, COSTS OF SUBSTITUTE PRODUCTS, OR LABOR COSTS ARISING FROM THE SALE, USE, OR INSTALLATION OF THE PRODUCTS, FROM THE PRODUCTS BEING INCORPORATED INTO OR BECOMING A COMPONENT OF ANOTHER PRODUCT, OR FROM ANY OTHER CAUSE WHATSOEVER, WHETHER BASED ON WARRANTY (EXPRESSED OR IMPLIED) OR OTHERWISE BASED ON CONTRACT, TORT, OR ANY OTHER THEORY OF LIABILITY, AND REGARDLESS OF ANY ADVICE OR REPRESENTATIONS THAT MAY HAVE BEEN RENDERED BY SELLER CONCERNING THE SALE, USE, OR INSTALLATION OF THE PRODUCTS, EVEN IF SELLER IS AWARE OF THE POSSIBILITY OF SUCH DAMAGES. IN NO EVENT WILL SELLER'S AGGREGATE LIABILITY ARISING OUT OF OR RELATED TO THIS AGREEMENT EXCEED THE TOTAL AMOUNTS PAID TO SELLER BY CUSTOMER FOR THE PRODUCTS WITHIN THE THREE (3) MONTH PERIOD IMMEDIATELY PRECEDING THE EVENT GIVING RISE TO CUSTOMER'S CLAIM. THE LIMITATIONS SET FORTH HEREIN REGARDING SELLER'S LIABILITY SHALL BE VALID AND ENFORCEABLE NOTWITHSTANDING A FAILURE OF ESSENTIAL PURPOSE OF THE LIMITED REMEDY SPECIFIED IN THESE TERMS.

Seller reserves the right to update these Terms at any time, at its sole discretion, which become binding upon the date of publishing. For the most current version of our full Terms of Sale, see our website at: <https://www.hatcocorp.com/terms-of-sale>

|                                                            |           |                                                                 |                           |
|------------------------------------------------------------|-----------|-----------------------------------------------------------------|---------------------------|
| <b>Informations Importantes pour le Propriétaire</b> ..... | <b>19</b> | <b>Mode d'emploi</b> .....                                      | <b>29</b>                 |
| <b>Introduction</b> .....                                  | <b>19</b> | Généralités .....                                               | 29                        |
| <b>Consignes de Sécurité Importantes</b> .....             | <b>20</b> | Fonctionnement du modèle TQ-10.....                             | 29                        |
| <b>Description du Modèle</b> .....                         | <b>21</b> | Fonctionnement des séries TQ-400, -800,<br>-1200, et -1800..... | 30                        |
| <b>Désignation du Modèle</b> .....                         | <b>22</b> | Mode économie d'énergie et voyant associé.....                  | 31                        |
| <b>Caractéristiques Techniques</b> .....                   | <b>23</b> | Système ColorGuard .....                                        | 31                        |
| Configuration des fiches.....                              | 23        | Réglage de la rampe d'arrivée du pain .....                     | 31                        |
| Tableau des valeurs nominales électriques .....            | 23        | <b>Maintenance</b> .....                                        | <b>32</b>                 |
| Dimensions .....                                           | 25        | Généralités .....                                               | 32                        |
| <b>Installation</b> .....                                  | <b>27</b> | Nettoyage quotidien.....                                        | 32                        |
| Généralités .....                                          | 27        | Nettoyage de la rampe d'arrivée du pain .....                   | 32                        |
| Installation du système de décharge avant ou arrière ..... | 28        | Nettoyage du réflecteur d'élément inférieur .....               | 32                        |
|                                                            |           | <b>Guide de Dépannage</b> .....                                 | <b>33</b>                 |
|                                                            |           | <b>Options et accessoires</b> .....                             | <b>34</b>                 |
|                                                            |           | <b>Garantie Limitée</b> .....                                   | <b>35</b>                 |
|                                                            |           | <b>Autorisés Distributeurs de Pièces</b> .....                  | <b>Couverture Arrière</b> |

## INFORMATIONS IMPORTANTES POUR LE PROPRIÉTAIRE

Notez le numéro de modèle, le numéro de série, la tension et la date d'achat de l'appareil dans les espaces ci-dessous (étiquette des caractéristiques du produit située sur la partie inférieure gauche de l'appareil). Veuillez avoir cette information à portée de la main si vous appelez Hatco pour assistance.

Modèle No. \_\_\_\_\_

Numéro de série \_\_\_\_\_

Voltage \_\_\_\_\_

Date d'achat \_\_\_\_\_

### Enregistrez votre appareil!

Remplissez la garantie en ligne pour éviter les retards pour faire jouer la garantie. Accédez au site Web Hatco [www.hatcocorp.com](http://www.hatcocorp.com), sélectionnez le menu déroulant *Support (Assistance)*, puis cliquez sur « Warranty » (Garantie).

Horaires  
ouvrables : 7h00 à 17h00 du lundi au vendredi  
Heure du Centre (CT)  
(Horaires d'été : juin à septembre—  
7h00 à 17h00 du lundi au jeudi  
7h00 à 16h00 le vendredi)

Téléphone: 800-558-0607; 414-671-6350

Courriel: [support@hatcocorp.com](mailto:support@hatcocorp.com)



Service d'assistance et de pièces de rechange disponible 7j/7, 24h/24 aux États-Unis et au Canada en composant le 800-558-0607.

Des renseignements supplémentaires sont disponibles sur notre site Web à [www.hatcocorp.com](http://www.hatcocorp.com).

## INTRODUCTION

Les grille-pain à convoyeur Toast-Qwik® Hatco sont conçus spécialement pour griller le pain plus rapidement. Les produits destinés à être grillés traversent une chambre chauffée et sont grillés rapidement et minutieusement. La teneur en humidité, la teneur en sucre et l'épaisseur du produit de panification influent sur la capacité à obtenir un produit parfaitement grillé. La vitesse du convoyeur et la température déterminent la couleur du pain grillé.

Les grille-pain de Hatco répondent à des normes de qualité conformes aux exigences du secteur de la restauration et offrent des performances optimales pendant des années. Les éléments métalliques chauffants tubulaires sont garantis deux ans contre toute rupture et panne électrique.

Les grille-pain à convoyeur Toast-Qwik Hatco font l'objet de recherches approfondies et d'essais. Les matériaux utilisés ont été sélectionnés pour une durabilité maximale, une apparence attractive et des performances optimales. Chaque appareil est soigneusement inspecté et testé avant expédition.

Ce manuel fournit les instructions d'installation, les consignes de sécurité et le mode d'emploi pour les grille-pain à convoyeur Toast-Qwik. Hatco vous recommande de lire l'ensemble des instructions d'installation et d'utilisation et toutes les consignes de sécurité dans ce manuel avant d'installer et d'utiliser l'appareil.

Les consignes de sécurité qui apparaissent dans ce manuel sont identifiées par les mots indicateurs suivants :

### AVERTISSEMENT

**AVERTISSEMENT** indique une situation dangereuse qui, si elle n'est pas évitée, peut provoquer la mort ou des blessures graves.

### ATTENTION

**ATTENTION** indique une situation dangereuse qui, si elle n'est pas évitée, peut provoquer des blessures légères ou moyennes.

### AVIS

**AVIS** est utilisé pour des questions sans rapport avec des blessures corporelles.

**!** Lisez l'information de sécurité importante suivante avant d'utiliser cet équipement pour éviter des dommages ou la mort sérieux et pour éviter d'endommager l'équipement ou la propriété.

## **! AVERTISSEMENT**

### DANGER DE DÉCHARGE ÉLECTRIQUE :

- Brancher l'appareil sur une prise électriques avec terre de tension, de format et de configuration des broches corrects. Si la fiche et la prise électriques ne se correspondent pas, s'adresser à un électricien qualifié pour déterminer et installer une prise électrique de format et de tension corrects.
- Placez l'interrupteur sur OFF (arrêt), débranchez le cordon d'alimentation, et laissez l'appareil refroidir avant tout entretien, nettoyage, réglage ou avant de retirer du pain bloqué.
- L'appareil n'est pas à l'épreuve des intempéries. Placez l'unité à l'intérieur d'un local dont la température ambiante se situe entre 21°C (70°F) et 29°C (85°F).
- **NE PAS** immerger l'appareil ni le saturer d'eau. L'appareil n'est pas étanche à l'eau. Ne pas le faire fonctionner s'il a été immergé ou saturé d'eau.
- Ne pas nettoyer à la vapeur ni utiliser trop d'eau sur l'appareil.
- Cet appareil n'est pas étanche aux jets. Ne pas utiliser de jet sous pression pour nettoyer l'appareil.
- Ne pas nettoyer l'appareil lorsqu'il est sous tension.
- Ne renversez pas de liquides dans l'appareil.
- Ne tirez pas l'unité par le cordon d'alimentation.
- Interrompez l'utilisation de l'unité si le cordon d'alimentation est effiloché ou usé.
- N'essayez jamais de réparer ou de remplacer un cordon d'alimentation. Celui-ci devra être remplacé par Hatco, un agent de service agréé par Hatco ou une personne possédant des qualifications similaires.
- N'insérez jamais un couteau, une fourchette ou un objet similaire dans la chambre de grillage.
- Ne saisissez pas le grille-pain en introduisant vos doigts dans l'ouverture d'alimentation.
- Cet appareil doit uniquement être réparé par un personnel qualifié. Toute réparation par un personnel non qualifié peut entraîner une électrocution et des brûlures.
- Pour les réparations, utiliser exclusivement des pièces de rechange Hatco d'origine. Utilisez des pièces détachées Hatco authentiques sous peine d'annuler toutes les garanties et d'exposer l'utilisateur à des tensions électriques dangereuses pouvant entraîner une électrocution ou des brûlures. Les pièces de rechange Hatco d'origine sont conçues pour fonctionner sans danger dans les environnements dans lesquels elles sont utilisées. Certaines pièces de rechange génériques ou de second marché ne présentent pas les caractéristiques leur permettant de fonctionner sans danger dans la matériel Hatco.

**RISQUE D'EXPLOSION :** Ne conservez pas ou n'utilisez pas d'essence ou d'autres vapeurs ou liquides inflammables à proximité de ces plaques ou de tout autre appareil.

Si le grille-pain surchauffe ou si les ventilateurs de refroidissement à l'intérieur de l'appareil arrêtent de fonctionner, l'interrupteur de sécurité haute température arrêtera le grille-pain. Contacter un agent de service agréé ou Hatco pour obtenir une assistance.

## **! AVERTISSEMENT**

### DANGER D'INCENDIE :

- Pour une décharge à l'avant : Laissez une distance minimale de 25 mm (1") sur les côtés et à l'arrière de l'appareil. Laissez un jeu d'au moins 305 mm (12") à l'avant. Si ces distances de sécurité ne sont pas respectées, une décoloration ou une combustion peut se produire.
- Pour une décharge à l'arrière : Laissez une distance minimale de 25 mm (1") sur les côtés de l'appareil. Laissez une distance minimale de 305 mm (12") à l'avant et à l'arrière. Si ces distances de sécurité ne sont pas respectées, une décoloration ou une combustion peut se produire.
- Ne placez pas le grille-pain sur une étagère ou à moins de 305 mm (12") du plafond.
- Ne posez rien sur le grille-pain. Ne placez pas le grille-pain à proximité ou en dessous de rideaux ou d'autres matériaux inflammables. Les éléments situés à proximité du grille-pain ou sur celui-ci peuvent prendre feu et entraîner des blessures et/ou endommager le grille-pain.
- En cas d'incendie, débranchez immédiatement le grille-pain. L'appareil pourra alors refroidir et il sera alors plus facile et plus sûr d'éteindre l'incendie.

Assurez-vous que tous les opérateurs ont été formés à l'utilisation sûre et correcte de l'appareil.

Cet appareil ne doit pas être utilisé par des enfants ou des personnes avec des capacités physiques, sensorielles ou mentales diminuées. Assurez-vous que les enfants sont bien surveillés et tenez-les à l'écart de l'appareil.

Cet appareil ne contient aucune pièce réparable par l'utilisateur. Si cet appareil doit être réparé, contacter un réparateur Hatco agréé ou le Service après-vente Hatco au 800-558-0607 ou 414-671-6350.

## **! ATTENTION**

### DANGER DE BRÛLURE :

- Certaines surfaces extérieures de l'appareil deviennent chaudes. Toucher ces zones de l'appareil avec précaution.
- Retirez le tiroir ramasse-miettes pour le laver uniquement lorsque le grille-pain est froid.

Placez l'appareil à une hauteur de comptoir adaptée et sur un emplacement pratique pour son utilisation. L'emplacement choisi doit être de niveau et solide afin de supporter le poids de l'appareil et de son contenu.

Utilisez toujours le grille-pain lorsque le tiroir ramasse-miettes est installé dans l'appareil.

Si le témoin d'avertissement s'allume, l'appareil connaît un dysfonctionnement dû à une défaillance de ventilateur. Arrêtez l'appareil, débranchez-le de sa source d'alimentation et demandez à un technicien qualifié d'effectuer une opération d'entretien.

Il est déconseillé de griller des produits enrobés ou beurrés, comme du pain à l'ail, des tartines au fromage ou des brioches. Les résidus réduiront la performance du grille-pain et pourraient l'enflammer. L'utilisation du grille-pain pour griller les aliments cités précédemment annulera la garantie de l'appareil.



**AVIS**

Ne placez pas l'appareil dans une zone exposée à des températures supérieures à 29°C (85°F) ou soumise à la graisse des grils, des friteuses, etc. Des températures excessives et la graisse risquent d'endommager l'appareil.

Ne placez pas le grille-pain dans une zone qui réduit le flux d'air autour de l'avant et de l'arrière de l'appareil. Ne placez pas le grille-pain dans le chemin de déchargement direct des bouches de ventilation ou des bouches d'air de compensation.

Les dommages à toute partie du comptoir pouvant être causés par la chaleur générée par l'équipement de Hatco ne sont pas couverts par la garantie de Hatco. Contactez le fabricant du comptoir pour obtenir des renseignements.

**AVIS**

Utilisez uniquement des nettoyants non abrasifs et des chiffons doux. Les chiffons et nettoyant abrasifs pourraient rayer la finition de l'unité, altérant son apparence et la rendant vulnérable à l'accumulation de saleté.

Cet appareil est réservé à un usage professionnel uniquement—il ne convient PAS à un usage personnel.

Nettoyez l'unité quotidiennement pour éviter les dysfonctionnements et assurer un fonctionnement sain.

## DESCRIPTION DU MODÈLE

**Tous les Modèles**

Tous les grille-pain à convoyeur Toast-Qwik® sont rapides, fiables et polyvalents, grillant de 300 à 1800 tranches de pain à l'heure, selon le modèle. La décharge avant ou arrière permet à l'opérateur de placer le grille-pain Toast-Qwik à l'endroit le plus pratique. Chaque grille-pain Toast-Qwik inclut un bac de récupération de pain grillé, une rampe d'arrivée du pain, un bac à miettes amovible et un cordon de 1829 mm (6') avec fiche, pré-attaché en usine.

**Mode Économie D'Énergie Et Voyant Associé**

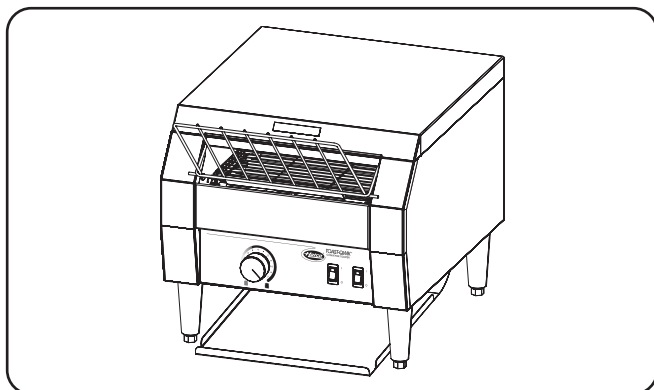
Tous les grille-pain des séries TQ-400, TQ-800, TQ-1200 et TQ-1800 sont dotés d'un mode économie d'énergie. En mode économie d'énergie, le témoin lumineux du bouton d'économie d'énergie (Ⓢ) clignotera. Lorsque la lumière clignote, le grille-pain fonctionne à 50 % de sa puissance. La pleine puissance peut être rétablie en 10 minutes en appuyant sur n'importe quel bouton ou en ajustant n'importe quel bouton de commande.

**Système ColorGuard**

Tous les grille-pain des séries TQ-400, TQ-800 et TQ-1800 sont équipés d'un système de détection ColorGuard qui surveille et règle automatiquement la vitesse du convoyeur durant les périodes de forte demande pour assurer la coloration uniforme du pain grillé.

**Modèle TQ-10**

Le modèle TQ-10 permet de faire griller du pain de 38 mm (1-1/2") d'épaisseur et 245 mm (9-5/8") de largeur maximum. Le TQ-10 est fourni équipé de pieds réglables de 102 mm (4").



Modèle TQ-10

**Modèle TQ-400**

Le modèle TQ-400 permet de faire griller du pain de 44 mm (1-3/4") d'épaisseur et 245 mm (9-5/8") de largeur maximum.

**Modèle TQ-405**

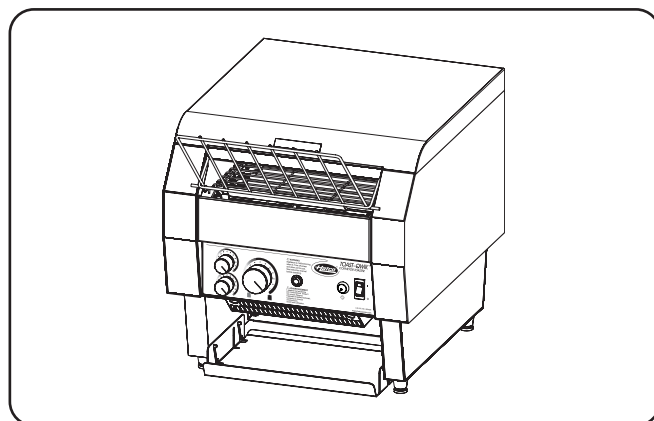
Le modèle TQ-405 permet de faire griller du pain à forte teneur en eau ou dense de 44 mm (1-3/4") d'épaisseur et 245 mm (9-5/8") de largeur maximum.

**Modèle TQ-400H**

Le modèle TQ-400H a une ouverture de 3" (76 mm) de largeur compatible avec les pains de 2-3/4" (70 mm) d'épaisseur et 9-5/8" (244 mm) de largeur.

**Modèle TQ-400BA**

Le modèle TQ-400BA permet de faire griller rapidement sur une face des bagels ou petits pains coupés en deux, de 44 mm (1-3/4") d'épaisseur et 245 mm (9-5/8") de largeur maximum. La plupart des produits peuvent être grillés en 45 secondes. La coloration se fait sur la face coupée tournée vers le haut.



Série TQ-400 (Modèle TQ-400 présenté ici)

## Modèle TQ-800

Le modèle TQ-800 permet de faire griller du pain de 44 mm (1-3/4") d'épaisseur et 244 mm (9-5/8") de largeur maximum.

## Modèle TQ-805

Le modèle TQ-805 permet de faire griller du pain à forte teneur en eau ou dense de 44 mm (1-3/4") d'épaisseur et 24 mm (9-5/8") de largeur maximum.

## Modèle TQ-800H

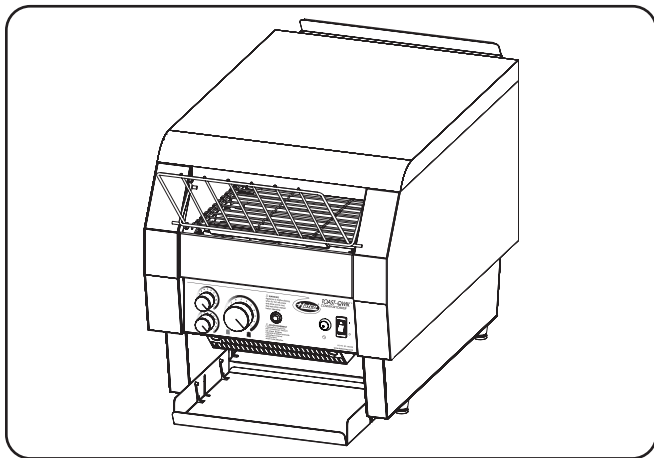
Le modèle TQ-800H a une ouverture de 76 mm (3") de largeur compatible avec les pains de 70 mm (2-3/4") d'épaisseur et 244 mm (9-5/8") de largeur.

## Modèle TQ-800BA

Le modèle TQ-800BA permet de faire griller rapidement sur une face des bagels ou petits pains coupés en deux, d'une épaisseur comprise entre 44 mm (1-3/4") et 244 mm (9-5/8"). La plupart des produits peuvent être grillés en 30 secondes. La coloration se fait sur la face coupée tournée vers le haut.

## Modèle TQ-800HBA

Le modèle TQ-800HBA, polyvalent et performant, peut griller une face de bagel ou petit pain coupé en deux en 30 secondes minimum. La coloration se fait sur la face coupée tournée vers le haut. La taille maximale de produit permise est de 70 mm (2-3/4") d'épaisseur et 244 mm (9-5/8") de largeur.



Série TQ-800 (Modèle TQ-800H présenté ici)

## Modèle TQ-1200

Le TQ-1200 est un grille-pain grande vitesse équipé d'un convoyeur accéléré permettant une coloration plus rapide durant les périodes de forte demande. Deux tranches de pain peuvent être grillées en 15 secondes. Ce modèle est capable de griller du pain de 44 mm (1-3/4") d'épaisseur et 244 mm (9-5/8") de largeur maximum.

## Modèle TQ-1800

Le modèle TQ-1800 permet de faire griller du pain de 44 mm (1-3/4") d'épaisseur et 346 mm (13-5/8") de largeur maximum.

## Modèle TQ-1800H

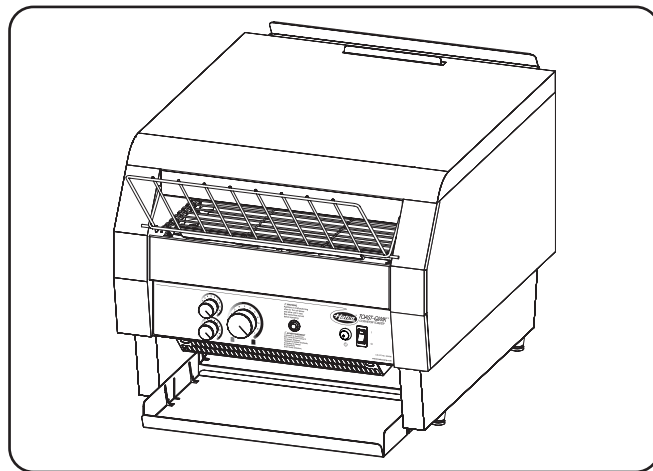
Le modèle TQ-1800H a une ouverture de 76 mm (3") de largeur compatible avec les pains de 70 mm (2-3/4") d'épaisseur et 346 mm (13-5/8") de largeur.

## Modèle TQ-1800BA

Le modèle TQ-1800BA permet de faire griller rapidement sur une face des bagels ou petits pains coupés en deux, de 44 mm (1-3/4") d'épaisseur et 346 mm (13-5/8") de largeur maximum. La plupart des produits peuvent être grillés en 15 secondes. La coloration se fait sur la face coupée tournée vers le haut.

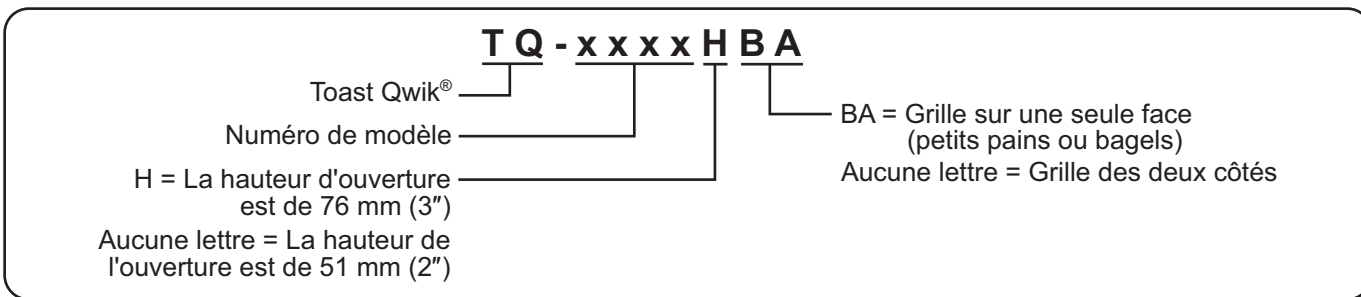
## Modèle TQ-1800HBA

Le modèle TQ-1800HBA, polyvalent et performant, peut griller une face de bagel ou petit pain coupé en deux en 15 secondes minimum. La coloration se fait sur la face coupée tournée vers le haut. La taille maximale de produit permise est de 70 mm (2-3/4") d'épaisseur et 346 mm (13-5/8") de largeur lorsque 3 produits sont placés côte à côte.



Série TQ-1800 (Modèle TQ-1800 présenté ici)

# DÉSIGNATION DU MODÈLE





## Configuration des fiches

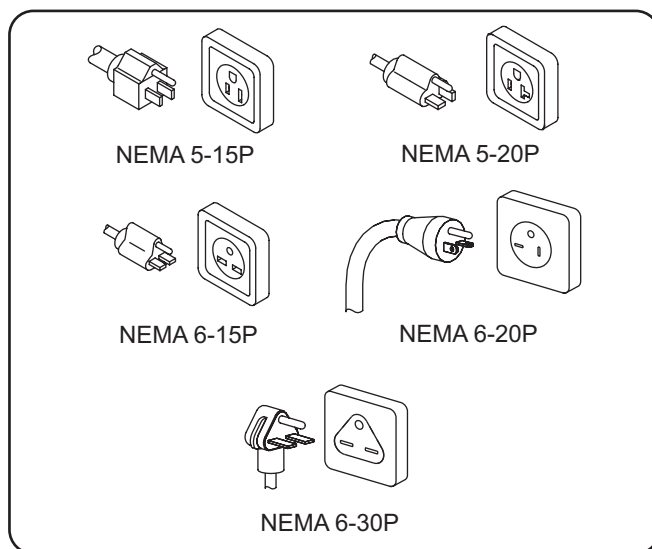
Les appareils sont fournis par l'usine avec un cordon et une fiche. Les fiches fournies correspondent à leur application.

### **⚠ AVERTISSEMENT**

**DANGER DE DÉCHARGE ÉLECTRIQUE:** Brancher l'appareil sur une prise électriques avec terre de tension, de format et de configuration des broches corrects. Si la fiche et la prise électriques ne se correspondent pas, s'adresser à un électricien qualifié pour déterminer et installer une prise électrique de format et de tension corrects.

*NOTA:* Les prise électriques ne sont pas fournies par Hatco, mais sont disponibles comme accessoires.

*NOTA:* Étiquette de caractéristiques techniques située sur le côté de l'appareil. Consultez l'étiquette pour connaître le numéro de série et vérifier les caractéristiques électriques de l'appareil.



Configuration des fiches

## Tableau des valeurs nominales électriques — Modèles TQ-10

| Modèle | Tension | Hertz | Intensité | Amps | Configuration de Fiches | Poids d'embarquement |
|--------|---------|-------|-----------|------|-------------------------|----------------------|
| TQ-10  | 120     | 60    | 1800      | 15.0 | NEMA 5-15P *            | 19 kg (42 lbs.)      |
|        | 208     |       | 1830      | 8.8  | NEMA 6-15P              |                      |
|        | 240     |       |           | 7.6  |                         |                      |

## Tableau des valeurs nominales électriques — Modèles TQ-400

| Modèle   | Tension | Hertz | Intensité | Amps | Configuration de Fiches | Poids d'embarquement |
|----------|---------|-------|-----------|------|-------------------------|----------------------|
| TQ-400   | 120     | 60    | 1790      | 14.9 | NEMA 5-15P *            | 21 kg (46 lbs.)      |
|          | 208     |       | 2230      | 10.7 | NEMA 6-15P              |                      |
|          | 240     |       |           | 9.3  |                         |                      |
| TQ-400H  | 208     | 60    | 2230      | 10.7 | NEMA 6-15P              | 21 kg (46 lbs.)      |
|          | 240     |       |           | 9.3  |                         |                      |
| TQ-400BA | 120     | 60    | 1780      | 14.8 | NEMA 5-15P*             | 21 kg (46 lbs.)      |
|          | 208     |       | 1880      | 9.0  | NEMA 6-15P              |                      |
|          | 240     |       |           | 7.8  |                         |                      |

\* NEMA 5-20P pour le Canada.

## Tableau des valeurs nominales électriques — Série TQ-800

| Modèle    | Tension | Hertz | Intensité | Amps | Configuration de Fiches | Poids d'embarquement |
|-----------|---------|-------|-----------|------|-------------------------|----------------------|
| TQ-800    | 208     | 60    | 3330      | 16.0 | NEMA 6-20P †            | 29 kg (64 lbs.)      |
|           | 240     |       |           | 13.9 | NEMA 6-15P ‡ †          |                      |
| TQ-800H   | 208     | 60    | 3330      | 16.0 | NEMA 6-20P †            | 28 kg (62 lbs.)      |
|           | 240     |       |           | 13.9 | NEMA 6-15P ‡ †          |                      |
| TQ-800BA  | 208     | 60    | 3280      | 15.8 | NEMA 6-20P †            | 28 kg (62 lbs.)      |
|           | 240     |       |           | 13.7 | NEMA 6-15P ‡ †          |                      |
| TQ-800HBA | 208     | 60    | 3280      | 15.8 | NEMA 6-20P †            | 29 kg (65 lbs.)      |
|           | 240     |       |           | 13.7 | NEMA 6-15P ‡ †          |                      |

## Tableau des valeurs nominales électriques — Série TQ-1200

| Modèle  | Tension | Hertz | Intensité | Amps | Configuration de Fiches | Poids d'embarquement |
|---------|---------|-------|-----------|------|-------------------------|----------------------|
| TQ-1200 | 208     | 60    | 4030      | 19.4 | NEMA 6-30P              | 30 kg (65 lbs.)      |
|         | 240     |       |           | 16.8 |                         |                      |

## Tableau des valeurs nominales électriques — Série TQ-1800

| Modèle     | Tension | Hertz | Intensité | Amps | Configuration de Fiches | Poids d'embarquement |
|------------|---------|-------|-----------|------|-------------------------|----------------------|
| TQ-1800    | 208     | 60    | 4440      | 21.4 | NEMA 6-30P              | 33 kg (73 lbs.)      |
|            | 240     |       |           | 18.5 |                         |                      |
| TQ-1800H   | 208     | 60    | 4650      | 22.4 | NEMA 6-30P              | 34 kg (76 lbs.)      |
|            | 240     |       |           | 19.4 |                         |                      |
| TQ-1800BA  | 208     | 60    | 4580      | 22.0 | NEMA 6-30P              | 34 kg (75 lbs.)      |
|            | 240     |       |           | 19.1 |                         |                      |
| TQ-1800HBA | 208     | 60    | 4580      | 22.0 | NEMA 6-30P              | 34 kg (74 lbs.)      |
|            | 240     |       |           | 19.1 |                         |                      |

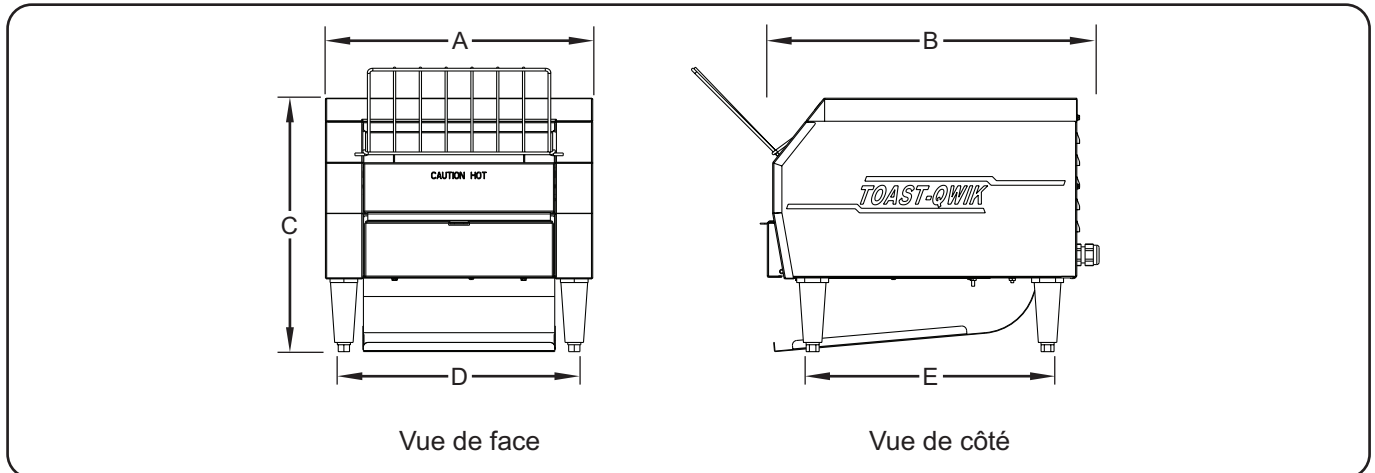
\* NEMA 6-20P pour le Canada.

† Disponible avec le cordon d'alimentation 6-30P en option.

‡ NEMA 6-20P pour le Canada.

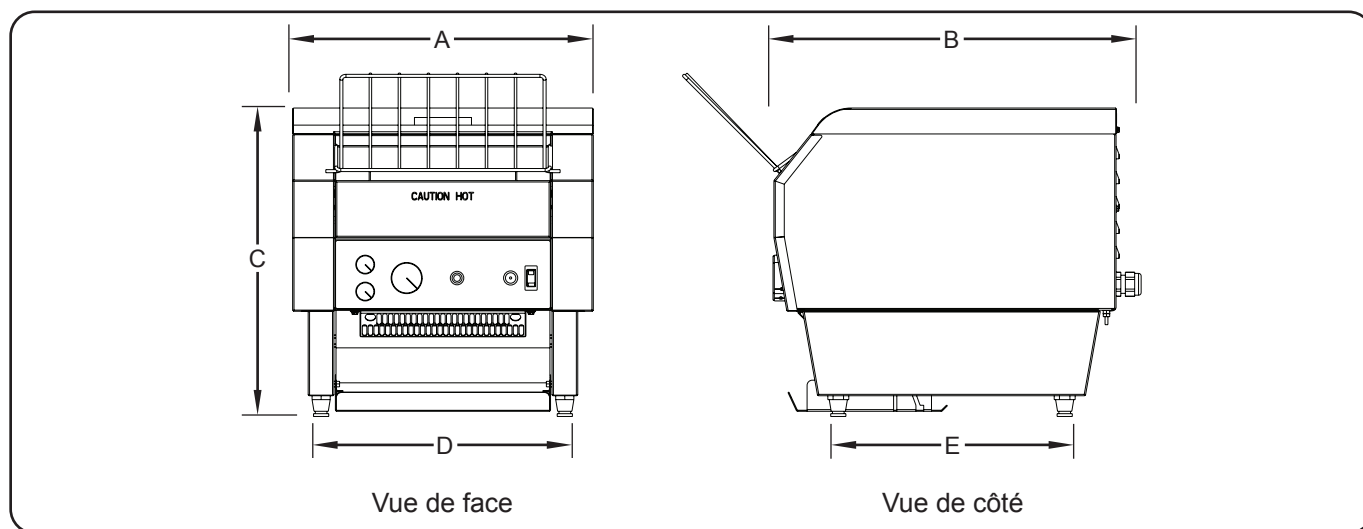
Dimensions — Modèle TQ-10

| Modèle | Largeur (A)         | Profondeur (B)      | Hauteur (C)         | Empattement Largeur (D) | Empattement Profondeur (E) |
|--------|---------------------|---------------------|---------------------|-------------------------|----------------------------|
| TQ-10  | 368 mm<br>(14-1/2") | 451 mm<br>(17-3/4") | 378 mm<br>(13-3/4") | 333 mm<br>(13-1/8")     | 340 mm<br>(13-3/8")        |



## Dimensions – Série TQ-400, -405, -400H, -800, -805, -1200, et -1800

| Modèle     | Largeur (A)         | Profondeur (B)      | Hauteur (C)         | Empattement Largeur (D) | Empattement Profondeur (E) |
|------------|---------------------|---------------------|---------------------|-------------------------|----------------------------|
| TQ-400     | 368 mm<br>(14-1/2") | 451 mm<br>(17-3/4") | 378 mm<br>(14-7/8") | 314 mm<br>(12-3/8")     | 295 mm<br>(11-5/8")        |
| TQ-405     | 368 mm<br>(14-1/2") | 451 mm<br>(17-3/4") | 378 mm<br>(14-7/8") | 314 mm<br>(12-3/8")     | 295 mm<br>(11-5/8")        |
| TQ-400H    | 368 mm<br>(14-1/2") | 451 mm<br>(17-3/4") | 403 mm<br>(15-7/8") | 314 mm<br>(12-3/8")     | 295 mm<br>(11-5/8")        |
| TQ-400BA   | 368 mm<br>(14-1/2") | 451 mm<br>(17-3/4") | 378 mm<br>(14-7/8") | 314 mm<br>(12-3/8")     | 295 mm<br>(11-5/8")        |
| TQ-800     | 368 mm<br>(14-1/2") | 578 mm<br>(22-3/4") | 422 mm<br>(16-5/8") | 314 mm<br>(12-3/8")     | 344 mm<br>(13-1/2")        |
| TQ-805     | 368 mm<br>(14-1/2") | 578 mm<br>(22-3/4") | 422 mm<br>(16-5/8") | 314 mm<br>(12-3/8")     | 344 mm<br>(13-1/2")        |
| TQ-800H    | 368 mm<br>(14-1/2") | 578 mm<br>(22-3/4") | 422 mm<br>(16-5/8") | 314 mm<br>(12-3/8")     | 344 mm<br>(13-1/2")        |
| TQ-800BA   | 368 mm<br>(14-1/2") | 578 mm<br>(22-3/4") | 422 mm<br>(16-5/8") | 314 mm<br>(12-3/8")     | 344 mm<br>(13-1/2")        |
| TQ-800HBA  | 368 mm<br>(14-1/2") | 578 mm<br>(22-3/4") | 422 mm<br>(16-5/8") | 314 mm<br>(12-3/8")     | 344 mm<br>(13-1/2")        |
| TQ-1200    | 368 mm<br>(14-1/2") | 578 mm<br>(22-3/4") | 422 mm<br>(16-5/8") | 314 mm<br>(12-3/8")     | 344 mm<br>(13-1/2")        |
| TQ-1800    | 470 mm<br>(18-1/2") | 578 mm<br>(22-3/4") | 422 mm<br>(16-5/8") | 416 mm<br>(16-3/8")     | 344 mm<br>(13-1/2")        |
| TQ-1800H   | 470 mm<br>(18-1/2") | 578 mm<br>(22-3/4") | 422 mm<br>(16-5/8") | 416 mm<br>(16-3/8")     | 344 mm<br>(13-1/2")        |
| TQ-1800BA  | 470 mm<br>(18-1/2") | 578 mm<br>(22-3/4") | 422 mm<br>(16-5/8") | 416 mm<br>(16-3/8")     | 344 mm<br>(13-1/2")        |
| TQ-1800HBA | 470 mm<br>(18-1/2") | 578 mm<br>(22-3/4") | 422 mm<br>(16-5/8") | 416 mm<br>(16-3/8")     | 344 mm<br>(13-1/2")        |



## Généralités

Les composants des grille-pain à convoyeur Toast-Qwik® Hatco sont déjà assemblés lors de l'expédition. Veuillez à ne pas endommager l'unité ou ses composants lors du déballage du carton d'expédition.

### ⚠ AVERTISSEMENT

**DANGER DE DÉCHARGE ÉLECTRIQUE :** L'appareil n'est pas à l'épreuve des intempéries. Placez l'unité à l'intérieur d'un local dont la température ambiante se situe entre 21°C (70°F) et 29°C (85°F).

**RISQUE D'EXPLOSION :** Ne conservez pas ou n'utilisez pas d'essence ou d'autres vapeurs ou liquides inflammables à proximité de ces plaques ou de tout autre appareil.

### DANGER D'INCENDIE :

- Ne placez pas le grille-pain sur une étagère ou à moins de 305 mm (12") du plafond.
- Ne posez rien sur le grille-pain. Ne placez pas le grille-pain à proximité ou en dessous de rideaux ou d'autres matériaux inflammables. Les éléments situés à proximité du grille-pain ou sur celui-ci peuvent prendre feu et entraîner des blessures et/ou endommager le grille-pain.

1. Sortir l'appareil de sa boîte.

*NOTA: Pour éviter des retards dans l'obtention de la couverture de la garantie, complétez l'enregistrement en ligne de votre garantie. Lisez la section INFORMATIONS IMPORTANTES POUR LE PROPRIÉTAIRE pour plus de détails.*

2. Retirez le ruban et l'emballage de protection de toutes les surfaces de l'appareil.

### ⚠ ATTENTION

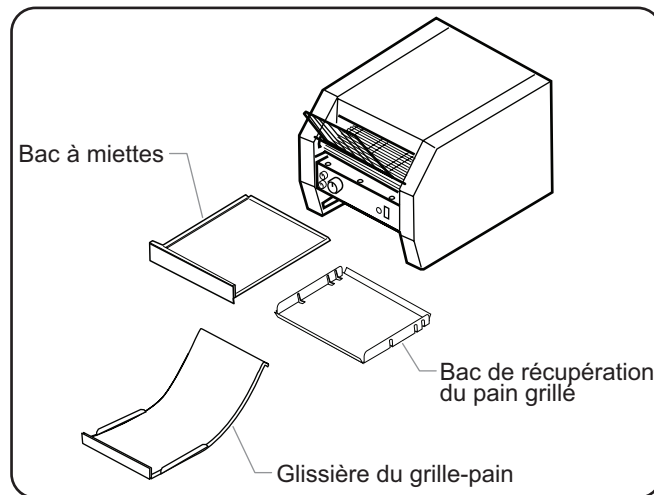
Placez l'appareil à une hauteur de comptoir adaptée et sur un emplacement pratique pour son utilisation. L'emplacement choisi doit être de niveau et solide afin de supporter le poids de l'appareil et de son contenu.

### AVIS

Ne placez pas l'appareil dans une zone exposée à des températures supérieures à 29°C (85°F) ou soumise à la graisse des grils, des friteuses, etc. Des températures excessives et la graisse risquent d'endommager l'appareil.

3. Placez l'unité à l'emplacement souhaité.
  - Placez l'appareil dans une zone où la température ambiante est constante et se situe entre 21°C (70°F) et 29°C (85°F). Évitez les zones pouvant être soumises à des mouvements d'air ou à des courants d'air actifs (comme à proximité de ventilateurs d'échappement/de hottes d'aspiration, de conduites de climatisation et de portes extérieures).
  - Assurez-vous que l'unité est placée à une hauteur appropriée dans une zone facilitant son utilisation.
  - Veillez à ce que le comptoir soit plat et assez résistant pour supporter le poids de l'unité et des produits alimentaires.
  - Veuillez vous assurer que tous les pieds en-dessous de l'appareil sont fermement positionnés sur le comptoir.

4. Si nécessaire, mettez l'unité à niveau en tournant les pieds de mise à niveau sur chaque patte.
5. Installez la glissière de décharge avant ou arrière. Consultez la procédure « Installation du système de décharge avant ou arrière » de cette section.

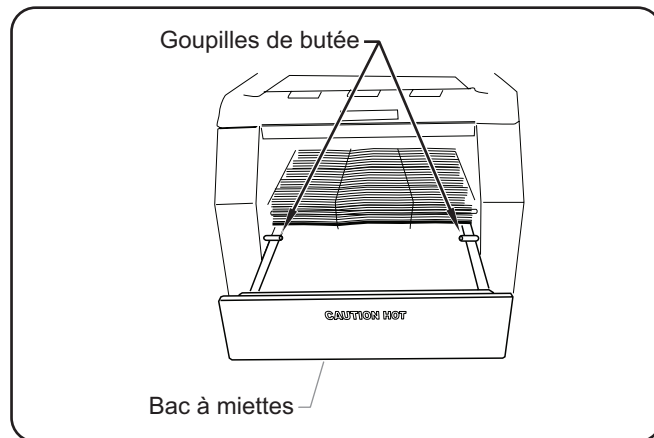


Composants

### ⚠ ATTENTION

Utilisez toujours le grille-pain lorsque le tiroir ramasse-miettes est installé dans l'appareil.

6. Installez le tiroir ramasse-miettes.
  - a. Placez le bac à miettes juste en dessous des goupilles de butée se trouvant sous la bande transporteuse, à l'avant du grille-pain.
  - b. Insérez le bac à miettes dans le grille-pain jusqu'à ce que l'avant du bac atteigne les goupilles de butée.



Installation du bac à miettes

## Installation du système de décharge avant ou arrière

Les appareils Toast-Qwik® peuvent être programmés pour que le pain grillé se décharge à l'avant ou à l'arrière de l'appareil.

### **AVERTISSEMENT**

#### DANGER D'INCENDIE :

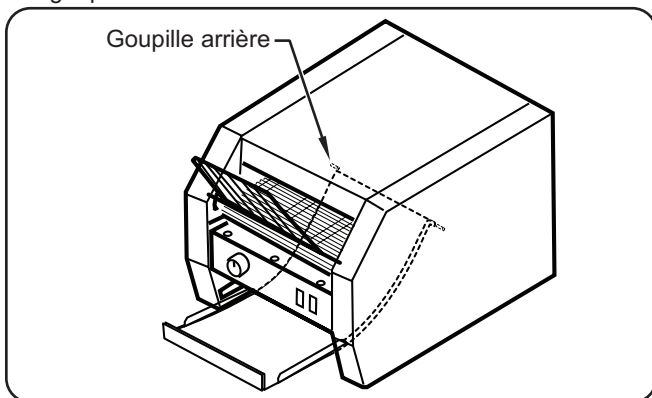
- Pour une décharge à l'avant : Laissez une distance minimale de 25 mm (1") sur les côtés et à l'arrière de l'appareil. Laissez un jeu d'au moins 305 mm (12") à l'avant. Si ces distances de sécurité ne sont pas respectées, une décoloration ou une combustion peut se produire.
- Pour une décharge à l'arrière : Laissez une distance minimale de 25 mm (1") sur les côtés de l'appareil. Laissez une distance minimale de 305 mm (12") à l'avant et à l'arrière. Si ces distances de sécurité ne sont pas respectées, une décoloration ou une combustion peut se produire.

#### Modèle TQ-10

La glissière de décharge et le bac de récupération du modèle TQ-10 ne forment qu'une seule pièce. L'emplacement choisi pour l'installation détermine la zone de décharge.

Pour une décharge frontale :

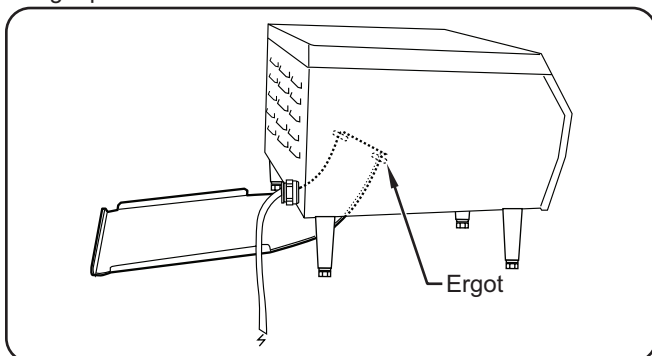
- Insérez la glissière dans le grille-pain par l'avant jusqu'à ce que la bordure arrière de la glissière se place sur les goupilles arrière.



Décharge avant TQ-10

Pour une décharge arrière :

- Insérez la glissière dans le grille-pain par l'arrière jusqu'à ce que la bordure arrière de la glissière se place sur les goupilles internes.



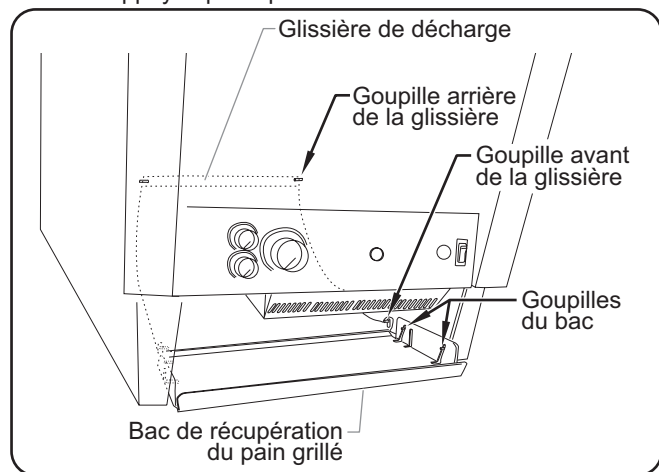
Décharge arrière TQ-10

## Séries TQ-400, -800, -1200, and -1800

La glissière de décharge et le bac de récupération du pain grillé des séries TQ-400, -800, -1200, et -1800 sont des éléments distincts. L'emplacement choisi pour l'installation détermine la zone de décharge.

Pour une décharge frontale :

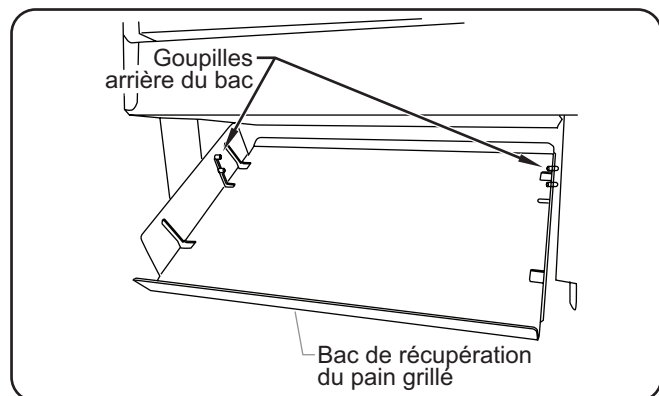
1. Installez la glissière de décharge.
  - Insérez l'extrémité courbée dans l'appareil jusqu'à ce que la bordure arrière de la glissière se place sur les goupilles arrière.
  - Appuyez sur la glissière afin d'emboîter les goupilles avant dans les fentes de la glissière.
2. Positionnez le bac de récupération du pain grillé, en plaçant l'extrémité sans rebord vers l'intérieur, au-dessus des goupilles du bac.
  - Alignez les encoches inclinées du bac avec les goupilles et appuyez pour qu'elles s'enclenchent.



Décharge avant des séries TQ-400, -800, -1200, et -1800

Pour une décharge arrière :

1. Retirez la glissière de décharge si elle est installée. Elle n'est pas utile à l'arrière.
2. Glissez le bac de récupération du pain grillé en plaçant l'extrémité sans rebord vers l'intérieur, au-dessus des goupilles du bac à l'arrière de l'appareil.
  - Alignez les encoches inclinées du bac avec les deux ensembles de goupilles et appuyez pour qu'elles s'enclenchent.



Décharge arrière des séries TQ-400, -800, -1200, et -1800

## Général

Le grille-pain à convoyeur Toast-Qwik est conçu pour une utilisation facile. Afin d'utiliser correctement le grille-pain, respectez les procédures de cette section.

### ⚠ AVERTISSEMENT

**Veillez lire tous les messages de sécurité dans la partie CONSIGNES DE SÉCURITÉ IMPORTANTES avant d'utiliser cet équipement.**

### ⚠ ATTENTION

#### RISQUE DE BRÛLURES :

- Certaines surfaces extérieures de l'appareil seront chaudes. Soyez prudent lorsque vous touchez ces surfaces.
- Retirez le tiroir bac à miettes pour le laver uniquement lorsque le grille-pain est froid.

Si le témoin d'avertissement s'allume, l'appareil connaît un dysfonctionnement dû à une défaillance de ventilateur. Arrêtez l'appareil, débranchez-le de sa source d'alimentation et demandez à un technicien qualifié d'effectuer une opération d'entretien.

Utilisez toujours le grille-pain lorsque le tiroir bac à miettes est installé dans l'appareil.

Il est déconseillé de griller des produits enrobés ou beurrés, comme du pain à l'ail, des tartines au fromage ou des brioches. Les résidus réduiront la performance du grille-pain et pourraient s'enflammer. L'utilisation du grille-pain pour griller les aliments cités précédemment annulera la garantie de l'appareil.

## Modèles TQ-10

### Panneau de commande

Voici la description des commandes utilisées pour faire fonctionner l'appareil. Toutes les commandes se trouvent sur le panneau de commande à l'avant de l'appareil.

#### ☰ Interrupteur I/O de commande de température supérieure

L'interrupteur I/O de commande de la température supérieure (☰) contrôle la puissance de l'élément chauffant supérieur. L'icône indique que la chaleur rayonnera du haut vers le bas.

#### ☷ Interrupteur I/O de commande de température inférieure

L'interrupteur I/O de commande de la température inférieure (☷) contrôle la puissance de l'élément chauffant inférieur. L'icône indique que la chaleur rayonnera du bas vers le haut.

#### Contrôle de la couleur

Le contrôle de la couleur ajuste la coloration en fonction de la vitesse du convoyeur. En tournant la commande de contrôle de la couleur dans le sens des aiguilles d'une montre, les produits grillés prendront une couleur plus foncée (■). En tournant la commande de contrôle de la couleur dans le sens inverse des aiguilles d'une montre, les produits grillés prendront une couleur plus claire (□).

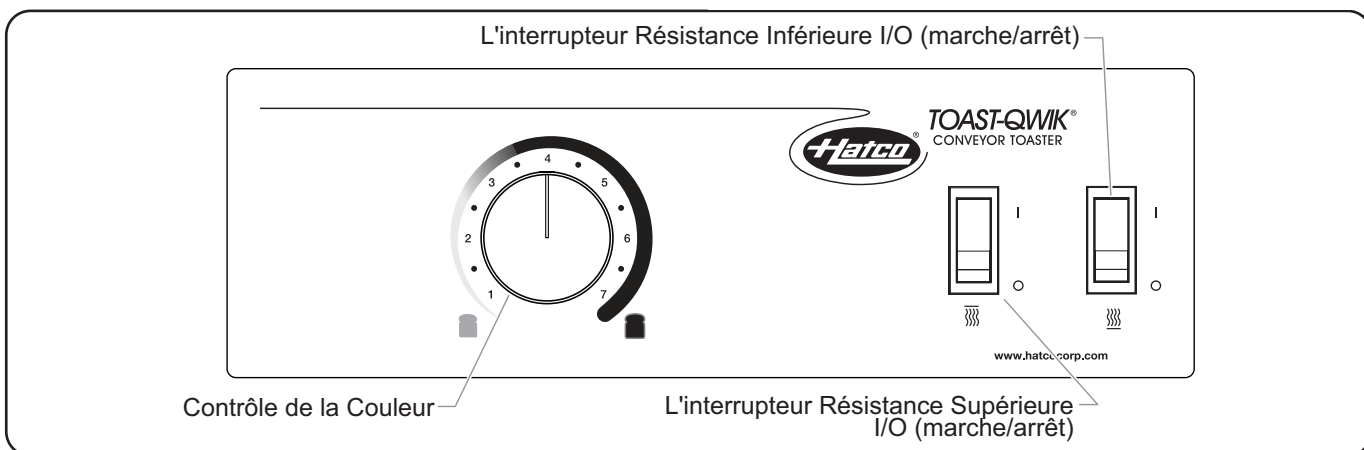
#### Fonctionnement des modèles TQ-10

1. Branchez le grille-pain à une sortie correctement reliée à la terre et possédant le voltage, la dimension et la configuration adéquats. Consultez la section CARACTÉRISTIQUES TECHNIQUES pour plus d'informations.
2. Placez l'interrupteur I/O ☰ et/ou l'interrupteur I/O ☷ sur « I » .
  - Pour griller le pain sur les deux faces, placez les interrupteurs I/O ☰ et ☷ sur « I » (marche).
  - Pour griller le pain sur la face supérieure uniquement, placez l'interrupteur I/O ☰ sur « I » et l'interrupteur I/O ☷ sur « O » .
  - Pour griller le pain sur la face inférieure uniquement, placez l'interrupteur I/O ☷ sur « O » et l'interrupteur I/O ☰ sur « I » .
3. Tournez le bouton de contrôle de la couleur vers le plus clair pendant que l'appareil chauffe.

**NOTA:** Attendez que l'appareil préchauffe pendant 15 à 20 minutes.

4. Après la période de préchauffage, réglez le bouton de contrôle de la couleur sur la position moyenne et grillez deux tranches de pain puis réglez la couleur comme vous le souhaitez.

**NOTA:** Pour griller des produits plus humides, comme des muffins, du pain de seigle, ou du pain complet, ralentissez le convoyeur en plaçant la commande de contrôle de la couleur sur un réglage plus foncé (dans le sens des aiguilles d'une montre).



Panneau de commande — Modèle TQ-10



## Séries TQ-400, -800, -1200 et -1800

### Panneau de commande

Voici la description des commandes utilisées pour faire fonctionner l'appareil. Toutes les commandes se trouvent sur le panneau de commande à l'avant de l'appareil.

#### ☺☺☺ Commande de la température supérieure

L'interrupteur I/O de commande de la température supérieure (☺☺☺) ajuste la chaleur à l'élément chauffant supérieur. L'icône indique que la chaleur rayonnera du haut vers le bas.

#### ☺☺☺ Commande de la température inférieure

La commande de la température inférieure (☺☺☺) ajuste la chaleur à l'élément chauffant inférieur. L'icône indique que la chaleur rayonnera du bas vers le haut.

### Contrôle de la couleur

Le contrôle de la couleur ajuste la coloration en fonction de la vitesse du convoyeur. En tournant la commande de contrôle de la couleur dans le sens des aiguilles d'une montre, les produits grillés prendront une couleur plus foncée (■). En tournant la commande de contrôle de la couleur dans le sens inverse des aiguilles d'une montre, les produits grillés prendront une couleur plus claire (■).

### Interrupteur d'alimentation I/O (marche/arrêt)

L'interrupteur d'alimentation I/O (marche/arrêt) permet d'allumer ou d'éteindre l'intégralité de l'appareil.

### Fonctionnement des séries TQ-400, -800, -1200 et -1800

**NOTA:** Les grille-pain TQ-400BA, -800BA, -800HBA, -1800BA et -1800HBA sont conçus spécifiquement pour griller une seule face d'un produit de panification, comme un petit pain ou un bagel. Ces modèles fonctionnent avec le côté coupé du pain vers le haut.

1. Branchez l'appareil à une prise de courant reliée à la terre de tension, de taille et de configuration de fiche correctes. Consultez la section CARACTÉRISTIQUES TECHNIQUES pour plus d'informations.
2. Mettez l'interrupteur d'alimentation I/O (marche/arrêt) en position « I » (marche).
3. Réglez la commande ☺☺☺ et/ou la commande ☺☺☺ .
  - Pour faire griller les deux faces de l'aliment, réglez la commande ☺☺☺ et la commande ☺☺☺ au maximum en les tournant dans le sens des aiguilles d'une montre.

- Pour faire griller une seule face de l'aliment, réglez la commande ☺☺☺ au maximum en la tournant dans le sens des aiguilles d'une montre et la commande ☺☺☺ au minimum en la tournant dans le sens inverse des aiguilles d'une montre.

**NOTA:** Quand vous souhaitez griller un produit sur une seule face, comme un petit pain ou un bagel, positionnez-le face coupée vers le haut. Réglez la commande ☺☺☺ sur un réglage léger, faites griller deux tranches de pain et ajuster la commande ☺☺☺ et/ou la commande ☺☺☺ en fonction des besoins.

4. Tournez le contrôle de la couleur à fond dans le sens inverse des aiguilles d'une montre (■) pendant que l'appareil chauffe.

**NOTA:** Attendez que l'appareil préchauffe pendant 15 à 20 minutes.

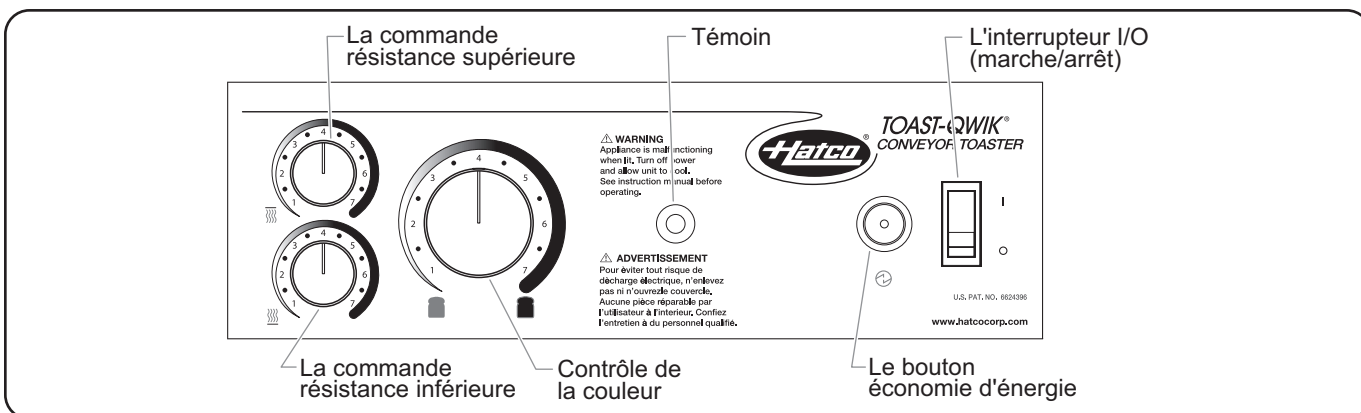
5. Après la période de préchauffage, grillez deux tranches de pain. Réglez la commande de contrôle de la couleur si besoin.

- Si le pain grillé est trop foncé et que le contrôle de la couleur est réglé sur le paramètre le plus clair, réglez la commande ☺☺☺ et/ou la commande ☺☺☺ en fonction des besoins. (Attendez 15 à 20 minutes pour que le grille-pain s'adapte aux nouveaux réglages avant de recommencer à griller.)
- Si le pain grillé est trop clair et que le contrôle de la couleur est réglé sur le paramètre le plus clair, réglez la commande de contrôle de la couleur en fonction des besoins. (Attendez 15 à 20 minutes pour que le grille-pain s'adapte aux nouveaux réglages avant de recommencer à griller.)

**NOTA:** Pour griller des produits plus humides, comme des muffins, du pain de seigle, ou du pain complet, ralentissez le convoyeur en plaçant la commande de contrôle de la couleur sur un réglage plus foncé (dans le sens des aiguilles d'une montre).

### REMARQUE IMPORTANTE

Si le témoin d'avertissement s'allume, l'appareil est peut-être en surchauffe. Arrêtez l'appareil et débranchez-le. Reportez-vous à la procédure « Nettoyage quotidien » pour nettoyer les ouvertures du ventilateur. Si l'appareil ne fonctionne pas correctement après avoir nettoyé les ouvertures du ventilateur, contactez un agent d'entretien agréé ou Hatco pour obtenir une assistance.



Panneau de commande—Grille-pain des deux côtés

### Mode économie d'énergie

Tous les grille-pain des séries TQ -400, -800, -1200 et -1800 sont dotés d'un mode d'économie d'énergie intégré avec voyant lumineux. Cette caractéristique permet au grille-pain de passer en mode veille et de réduire l'énergie des éléments chauffants de 50 pour cent. En mode économie d'énergie, le bouton d'économie d'énergie s'allume.

Pour activer le mode Économie d'énergie :

1. Appuyez sur le bouton d'économie d'énergie (☺). (économie d'énergie) clignote.

Pour désactiver le mode Économie d'énergie :

1. Appuyez sur le bouton d'économie d'énergie (☺) ou tourner n'importe quel bouton. Le bouton d'économie d'énergie s'allume et ne clignote plus.

*NOTA: Attendez 2 ou 3 minutes avant de griller du pain. L'appareil retrouve sa pleine puissance après 10 minutes.*

### Système ColorGuard

Tous les grille-pain des séries TQ -400, -800, -1200 et -1800 utilisent un système de détection breveté ColorGuard qui surveille et ajuste automatiquement la vitesse du convoyeur pendant les périodes d'utilisation intensive pour assurer l'uniformité de la couleur des toasts.

*NOTA: Le système de détection ColorGuard est inopérant pendant environ dix minutes après que les réglages thermiques ont été effectués.*

### Réglage de la rampe d'arrivée du pain

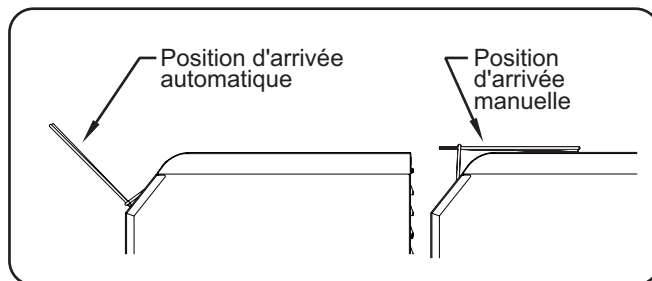
La rampe d'arrivée du pain est installée à l'usine et peut être utilisée dans deux positions différentes.

#### Position d'arrivée automatique

Pour que l'arrivée du pain soit automatique, la rampe doit être droite. Pour faire entrer le pain dans le grille-pain, placez-le sur la rampe d'alimentation puis lâchez-le.

#### Position d'arrivée manuelle

Pour que l'arrivée du pain soit manuelle, la rampe doit être placée sur le grille-pain, horizontalement. Le pain est placé manuellement directement sur la bande transporteuse.



Rampe d'arrivée du pain

## Généralités

Les grille-pain à convoyeur Toast-Qwik® Hatco sont conçus pour fournir une durabilité maximale et une performance nécessitant un minimum d'entretien.

### **⚠ AVERTISSEMENT**

#### DANGER DE DÉCHARGE ÉLECTRIQUE :

- Placez l'interrupteur sur OFF (arrêt), débranchez le cordon d'alimentation, et laissez l'appareil refroidir avant tout entretien, nettoyage, réglage ou avant de retirer du pain bloqué.
- **NE PAS immerger l'appareil ni le saturer d'eau.** L'appareil n'est pas étanche à l'eau. Ne pas le faire fonctionner s'il a été immergé ou saturé d'eau.
- Ne pas nettoyer à la vapeur ni utiliser trop d'eau sur l'appareil.
- Cet appareil n'est pas étanche aux jets. Ne pas utiliser de jet sous pression pour nettoyer l'appareil.
- Ne pas nettoyer l'appareil lorsqu'il est sous tension.
- Ne renversez pas de liquides dans l'appareil.
- Cet appareil doit uniquement être réparé par un personnel qualifié. Toute réparation par un personnel non qualifié peut entraîner une électrocution et des brûlures.
- Pour les réparations, utiliser exclusivement des pièces de rechange Hatco d'origine. Utilisez des pièces détachées Hatco authentiques sous peine d'annuler toutes les garanties et d'exposer l'utilisateur à des tensions électriques dangereuses pouvant entraîner une électrocution ou des brûlures. Les pièces de rechange Hatco d'origine sont conçues pour fonctionner sans danger dans les environnements dans lesquels elles sont utilisées. Certaines pièces de rechange génériques ou de second marché ne présentent pas les caractéristiques leur permettant de fonctionner sans danger dans la matériel Hatco.

Cet appareil ne contient aucune pièce réparable par l'utilisateur. Si cet appareil doit être réparé, contacter un réparateur Hatco agréé ou le Service après-vente Hatco au 800-558-0607 ou 414-671-6350.

## Nettoyage quotidien

Afin de préserver la finition de l'unité et de conserver son efficacité, il est recommandé de nettoyer l'unité quotidiennement.

### **⚠ AVERTISSEMENT**

Plonger l'appareil dans l'eau, ou le saturer d'eau, endommage l'équipement et entraîne l'annulation de sa garantie.

### **AVIS**

Utilisez uniquement des nettoyeurs non abrasifs et des chiffons doux. Les chiffons et nettoyeurs abrasifs risquent de rayer la finition de l'appareil, d'altérer son apparence et de le rendre vulnérable à l'accumulation de saleté.

Nettoyez l'unité quotidiennement pour éviter les dysfonctionnements et assurer un fonctionnement sain.

1. Éteignez l'appareil, débranchez le cordon d'alimentation et laissez l'appareil refroidir.
2. Retirez et videz le tiroir ramasse-miettes et le bac de récupération du pain grillé.
  - a. Nettoyez le tiroir ramasse-miettes et le bac de récupération du pain grillé avec de l'eau chaude et un détergent doux. Rincez ensuite à l'eau.

- b. Laissez sécher le tiroir ramasse-miettes et le bac de récupération du pain grillé ou essuyez-les avec un chiffon doux.

### **⚠ ATTENTION**

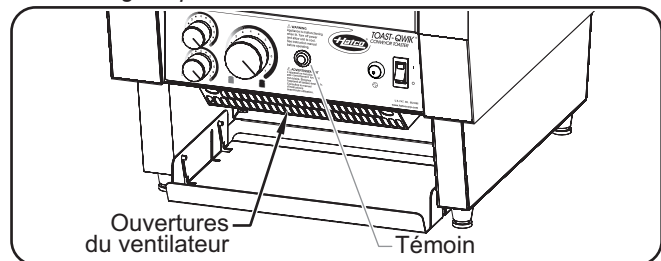
**DANGER DE BRÛLURE :** Retirez le tiroir ramasse-miettes pour le laver uniquement lorsque le grille-pain est froid.

3. Essuyez les surfaces extérieures du grille-pain avec un chiffon humide, non abrasif.
4. Les taches tenaces peuvent être enlevées avec un nettoyeur pour acier inoxydable ou un nettoyeur non abrasif. Les recoins difficiles d'accès devront être nettoyés à l'aide d'une petite brosse et de savon doux.

*NOTA: Le moteur et le système de convoyeur du convoyeur sont lubrifiés en permanence et ne nécessitent aucune lubrification.*

5. Vérifiez les ouvertures du ventilateur et retirez les débris.

*NOTA: Les grille-pain des séries TQ-400, -800, -1200, et -1800 sont équipés d'un ventilateur qui se trouve sous la zone du panneau de commande. Vérifiez/nettoyez les ouvertures du ventilateur tous les mois ou dès que le témoin s'allume. En cas d'accumulation de débris trop importante, nettoyez les ouvertures avec un aspirateur. Des ouvertures bouchées provoqueront une surchauffe du grille-pain et son extinction.*



Ouvertures du ventilateur (TQ-400 présenté ici)

6. Installez à nouveau le tiroir ramasse-miettes et le bac de récupération du pain grillé. Reportez-vous à la section INSTALLATION pour connaître les instructions.

## Nettoyage de la rampe d'arrivée du pain

1. Retirez la rampe d'arrivée du pain en appuyant sur les deux ailettes métalliques et en soulevant.
2. Nettoyez-la en l'essuyant avec un chiffon humide non abrasif ou laissez-la tremper dans une solution douce d'ammoniaque (1 tasse, ou 227 ml) et de l'eau (1 gallon, ou 3,785 l).
3. Installez à nouveau la rampe d'arrivée du pain en alignant les ailettes métalliques avec les orifices du grille-pain.

## Nettoyage du réflecteur d'élément inférieur

Le réflecteur d'élément inférieur situé dans la chambre de grillage dispose de fentes qui permettent aux miettes de pain de tomber dans le tiroir ramasse-miettes. Après une longue période d'utilisation, il est possible que les miettes de pain s'accumulent sur le réflecteur et qu'elles ne tombent pas dans le tiroir.

1. Éteignez l'appareil, débranchez le cordon d'alimentation et laissez l'appareil refroidir.
2. Essuyez les miettes qui se trouvent sur le tiroir ramasse-miettes à l'aide d'un pinceau-brosse.
  - Pour essuyer le réflecteur, placez le pinceau-brosse dans la courroie du convoyeur et essuyez chaque côté.
3. Effectuez la procédure de « nettoyage quotidien » décrite dans cette section.

**⚠ AVERTISSEMENT**

La réparation de cet appareil doit être confiée exclusivement à du personnel qualifié. Les réparations par des personnes non qualifiées peuvent provoquer des décharges électriques et des brûlures.

**⚠ AVERTISSEMENT**

**DANGER DE DÉCHARGE ÉLECTRIQUE:** Placez l'interrupteur sur OFF (arrêt), débranchez le cordon d'alimentation, et laissez l'appareil refroidir avant tout entretien, nettoyage, réglage ou avant de retirer du pain bloqué.

| Symptômes                                                               | Causes Probables                                                                                                  | Action Correctrice                                                                                                                                                                                                           |
|-------------------------------------------------------------------------|-------------------------------------------------------------------------------------------------------------------|------------------------------------------------------------------------------------------------------------------------------------------------------------------------------------------------------------------------------|
| Pain grillé trop clair.                                                 | La commande COLOR CONTROL (contrôle de la couleur) est positionné sur un réglage clair.                           | Placez la commande COLOR CONTROL (contrôle de la couleur) sur un réglage plus foncé.                                                                                                                                         |
|                                                                         | La tension d'alimentation de l'appareil est faible.                                                               | Vérifiez que la tension d'alimentation correspond aux spécifications de l'appareil.                                                                                                                                          |
| Pain grillé trop foncé.                                                 | La commande COLOR CONTROL (contrôle de la couleur) est positionné sur un réglage foncé.                           | Placez la commande COLOR CONTROL (contrôle de la couleur) sur un réglage plus clair.                                                                                                                                         |
|                                                                         | La tension d'alimentation de l'appareil est élevée.                                                               | Vérifiez que la tension d'alimentation correspond aux spécifications de l'appareil.                                                                                                                                          |
| L'appareil met trop de temps pour griller le pain.                      | Les premières fournées peuvent être plus longues car le grille-pain a besoin de temps pour chauffer au démarrage. | Laissez le grille-pain chauffer à sa température d'utilisation avant de placer le pain (environ 15–20 minutes).                                                                                                              |
|                                                                         | La tension d'alimentation de l'appareil est faible.                                                               | Vérifiez que la tension d'alimentation correspond aux spécifications de l'appareil.                                                                                                                                          |
| L'appareil grille le pain d'un seul côté uniquement.                    | Le modèle du grille-pain est conçu pour griller uniquement d'un côté. (La référence du modèle contient BA.)       | Contactez votre agent de maintenance agréé ou Hatco pour toute demande d'assistance.                                                                                                                                         |
|                                                                         | Les commandes de température inférieure (☺) ou supérieure (☹) sont trop basses ou en position O.                  | Tournez la commande ☺ ou ☹ sur un réglage plus élevé ou en position I.                                                                                                                                                       |
|                                                                         | Élément chauffant défectueux                                                                                      | Vérifiez visuellement l'élément chauffant. Lorsque l'appareil est allumé, l'élément chauffant doit être rouge. Si l'élément ne devient pas rouge, contactez un agent d'entretien agréé ou Hatco pour obtenir une assistance. |
| Le grille-pain déclenche le disjoncteur ou le disjoncteur différentiel. | Le disjoncteur n'est pas correctement dimensionné pour le grille-pain.                                            | Vérifiez la taille du disjoncteur.                                                                                                                                                                                           |
|                                                                         | Défaut de câblage dans le grille-pain.                                                                            | Contactez votre agent de maintenance agréé ou Hatco pour toute demande d'assistance.                                                                                                                                         |
| Le convoyeur du grille-pain ne bouge pas.                               | Tranches de pain ou petits pains coincés dans le circuit du convoyeur.                                            | Arrêtez l'appareil, laissez-le refroidir et enlevez le pain qui bloque le convoyeur.                                                                                                                                         |

**Vous avez des questions en ce qui concerne les pannes?**

Si le problème persiste, veuillez contacter l'agence d'entretien agréée Hatco la plus proche ou Hatco pour obtenir une assistance. Pour trouver l'agence d'entretien la plus proche, rendez-vous sur le site Internet de Hatco ([www.hatcocorp.com](http://www.hatcocorp.com)) et sélectionnez le menu déroulant *Support (Assistance)*, puis cliquez sur « Find A Service Agent » (trouver un agent d'entretien); ou contactez l'équipe d'entretien et de pièces détachées de Hatco :

Numéro de téléphone: 800-558-0607 ou 414-671-6350

Courriel: [support@hatcocorp.com](mailto:support@hatcocorp.com)

## Protection de sécurité

La protection de sécurité verrouillable se relève et s'abaisse afin de limiter l'accès au panneau de commande.

1. Retirez le tiroir ramasse-miettes.
2. Retirez les deux vis avant sur la surface plane au-dessus des commandes.
3. Placez la protection de sécurité sur le panneau de commande, en alignant les orifices des vis de la protection de sécurité avec les orifices de la surface plane.
4. Remplacez les deux vis dans la protection de sécurité et la surface plane. Serrez-les fermement.
5. Installez à nouveau le tiroir ramasse-miettes.

## Guide d'extension de la rampe d'arrivée

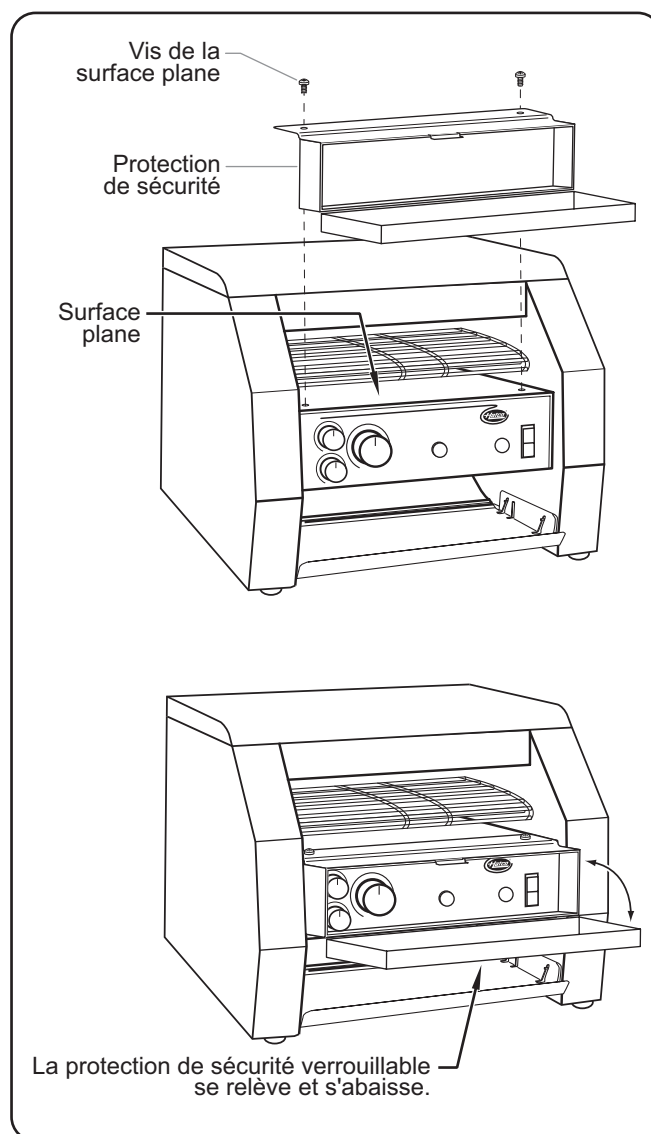
Le guide d'extension de la rampe d'arrivée est un accessoire qui agrandit de 76 mm (3") la rampe d'arrivée (non disponible pour les modèles TQ-1800).

## Cordon 30 Amp (modèles TQ-800)

Un cordon de 30 Amp en option (fiche NEMA 6-30P) est disponible pour les modèles TQ-800 uniquement.

## Prises électriques

Les prises électriques sont disponibles en option pour les appareils utilisant des fiches NEMA 5-20P, NEMA 6-20P, ou NEMA 6-30P.



Protection de sécurité



**GARANTIE, RECOURS EXCLUSIF :**

Hatco Corporation (le Vendeur) garantit que les produits qu'elle fabrique (les Produits) seront exempts de défauts de matériaux et de fabrication dans des conditions d'utilisation et de service normales et lorsqu'ils sont stockés, entretenus et installés en stricte conformité avec les recommandations de l'usine. La seule obligation du vendeur envers la personne ou l'entité qui achète les Produits directement auprès du Vendeur (le Client) dans le cadre de cette garantie est la réparation ou le remplacement par le Vendeur ou un organisme de service autorisé par le Vendeur, à la discrétion du Vendeur, de tout Produit ou de toute pièce de celui-ci jugés défectueux par le Vendeur après examen, pendant : (i) la Durée de la garantie à compter de la date d'expédition par le Vendeur ou (ii) la Durée de la garantie à compter de la date d'enregistrement du Produit conformément aux instructions écrites du Vendeur ; la durée la plus longue s'appliquant. La « Durée de la garantie » désigne les périodes spécifiques énoncées ci-dessous pour des composants spécifiques du Produit ou, si ceux-ci ne sont pas énoncés ci-dessous, une période de dix-huit (18) mois. Le crédit pour les Produits ou les pièces retournés avec l'autorisation écrite préalable du Vendeur sera soumis aux conditions indiquées sur le formulaire d'autorisation de retour de matériel du Vendeur. AUCUN CRÉDIT NE SERA ACCORDÉ POUR LES PRODUITS OU LES PIÈCES RETOURNÉS SANS AUTORISATION ÉCRITE PRÉALABLE DU VENDEUR. Les frais engagés par le Client pour retourner, remplacer ou retirer les Produits ne seront pas remboursés par le Vendeur. Si le défaut est couvert par la garantie limitée, les Produits seront réparés ou remplacés et retournés au Client, et les frais de retour seront payés par le Vendeur. La réparation ou le remplacement prévus dans les présentes est le recours exclusif du client. Toute utilisation inappropriée, modification, réparation, altération, mauvaise application, installation incorrecte, application d'une tension inappropriée, ou toute autre action ou inaction par le Client ou d'autres personnes (y compris l'utilisation de tout organisme de service non autorisé) qui, selon le seul jugement du Vendeur, affecte négativement le Produit annule cette garantie. La garantie expressément prévue dans les présentes ne peut être réclamée que par le Client et non par les clients du Client ou d'autres utilisateurs des Produits ; cependant, si le Client est un revendeur d'équipement autorisé par le Vendeur, le Client peut attribuer la garantie aux clients du Client, sous réserve de toutes les limitations des présentes Conditions, et dans ce cas, la garantie sera exclusivement contrôlée par le Vendeur conformément aux présentes Conditions. CETTE GARANTIE LIMITÉE EST EXCLUSIVE ET REMPLACE TOUTE AUTRE GARANTIE, EXPRESSE OU IMPLICITE, Y COMPRIS, MAIS SANS S'Y LIMITER, TOUTE GARANTIE IMPLICITE D'ABSENCE DE CONTREFAÇON, DE QUALITÉ MARCHANDE OU D'ADÉQUATION À UN USAGE PARTICULIER, QUI EST EXPRESSÉMENT DÉCLINÉE.

**Garantie d'un (1) an pour les pièces et la main-d'œuvre, PLUS garantie d'un (1) an supplémentaire pour les pièces uniquement :**

- Éléments du grille-pain à convoyeur (enveloppe métallique)
- Éléments des tiroirs chauffants (enveloppe métallique)
- Tiroirs, roues et glissières des tiroirs chauffants
- Éléments du réchaud (enveloppe métallique)
- Éléments de présentation du réchaud (enveloppe métallique, air chauffant)
- Éléments des armoires de stockage (enveloppe métallique, air chauffant)
- Éléments de puits chauffants — séries HW, HWB et HWBI (enveloppe métallique)

**Garantie de deux (2) ans pour les pièces et la main-d'œuvre :**

- Gammes à induction
- Réchauds à induction

**Garantie de remplacement d'un (1) an :**

- Grille-pain à éjection TPT

**Garantie d'un (1) an pour les pièces et la main-d'œuvre, PLUS garantie de quatre (4) ans pour les pièces uniquement :**

- Cuves 3CS et FR

**Garantie d'un (1) an pour les pièces et la main-d'œuvre, PLUS garantie de neuf (9) ans pour les pièces uniquement :**

- Cuves des appareils de chauffage d'appoint électriques
- Cuves des appareils de chauffage d'appoint à gaz

**Garantie de quatre-vingt-dix (90) jours pour les pièces uniquement :**

- Pièces de rechange

Nonobstant toute disposition contraire des présentes, la garantie limitée des présentes ne couvrira pas, à la seule discrétion du vendeur, les éléments suivants, mais sans s'y limiter : ampoules à incandescence enduites, éclairages fluorescents, ampoules de lampe chauffante, ampoules halogènes enduites, ampoules de lampe chauffante halogène, ampoules au xénon, tubes de lumière DEL, composants en verre et fusibles ; défaillance du Produit au niveau de la cuve d'appoint, de l'échangeur de chaleur à tubes à ailettes ou de tout autre équipement de chauffage de l'eau causée par la formation de calcaire, l'accumulation de sédiments, une attaque chimique ou le gel.

**INSTRUCTIONS D'ENREGISTREMENT DE LA GARANTIE:**

L'enregistrement du produit doit être soumis dans les 90 jours à compter de la date d'expédition de notre usine pour bénéficier d'une couverture supplémentaire. L'enregistrement peut être soumis via le formulaire sur le site Web du Vendeur, via le formulaire accessible grâce au code QR sur le Produit (le cas échéant) ou en appelant le service client en fournissant les informations requises au : **+1 800 558 0607** ou **+1 414 671 6350**.

**CLAUSE LIMITATIVE DE RESPONSABILITÉ :**

LE VENDEUR NE SERA PAS TENU RESPONSABLE DES DOMMAGES INDIRECTS, ACCESSOIRES, CONSÉCUTIFS, PUNITIFS, EXEMPLAIRES OU DÉTERMINÉS, Y COMPRIS, MAIS SANS S'Y LIMITER, LES MANQUES À GAGNER, LES COÛTS DES PRODUITS DE SUBSTITUTION OU LES FRAIS DE MAIN-D'ŒUVRE RÉSULTANT DE LA VENTE, DE L'UTILISATION OU DE L'INSTALLATION DES PRODUITS, QUE LES PRODUITS SOIENT INCORPORÉS DANS D'AUTRES PRODUITS OU EN DEVIENNENT DES COMPOSANTS, OU DE TOUTE AUTRE CAUSE QUE CE SOIT, FONDÉE SUR UNE GARANTIE (EXPRESSE OU IMPLICITE) OU AUTREMENT FONDÉE SUR UN CONTRAT, UN TORT OU TOUTE AUTRE THÉORIE DE RESPONSABILITÉ, ET INDÉPENDAMMENT DE TOUT CONSEIL OU REPRÉSENTATION QUI AURAIENT PU ÊTRE DONNÉS PAR LE VENDEUR CONCERNANT LA VENTE, L'UTILISATION OU L'INSTALLATION DES PRODUITS, MÊME SI LE VENDEUR EST CONSCIENT DE LA POSSIBILITÉ DE TELS DOMMAGES. EN AUCUN CAS, LA RESPONSABILITÉ GÉNÉRALE DU VENDEUR DÉCOULANT DE CE CONTRAT OU LIÉE À CELUI-CI NE DÉPASSERA LES MONTANTS TOTAUX PAYÉS AU VENDEUR PAR LE CLIENT POUR LES PRODUITS DANS LA PÉRIODE DE TROIS (3) MOIS PRÉCÉDANT IMMÉDIATEMENT L'ÉVÉNEMENT DONNANT LIEU À UNE RÉCLAMATION DU CLIENT. LES LIMITATIONS ÉNONCÉES DANS LES PRÉSENTES CONCERNANT LA RESPONSABILITÉ DU VENDEUR SONT VALABLES ET EXÉCUTOIRES NONOBTANT UN MANQUEMENT À L'OBJETIF PRINCIPAL DU RECOURS LIMITÉ SPÉCIFIÉ DANS CES CONDITIONS.

Le vendeur se réserve le droit de mettre à jour ces conditions à tout moment, à sa seule discrétion, qui deviennent obligatoires à la date de publication. Pour la version la plus récente de nos conditions de vente complètes, consultez notre site Web à l'adresse : <https://www.hatcocorp.com/terms-of-sale>

# AUTHORIZED PARTS DISTRIBUTORS • AUTORISÉS DISTRIBUTEURS DE PIÈCES

## ALABAMA

Jones McLeod Appl. Svc.  
Birmingham 205-251-0159

## ARIZONA

Tech 24  
Phoenix 602-234-2443

Byassee Equipment Co.  
Phoenix 602-252-0402

## CALIFORNIA

Industrial Electric  
Commercial Parts & Service, Inc.  
Huntington Beach 714-379-7100

Chapman Appl. Service  
San Diego 619-298-7106

P & D Appliance  
Commercial Parts & Service, Inc.  
S. San Francisco 650-635-1900

## COLORADO

Hawkins Commercial Appliance  
Englewood 303-781-5548

## FLORIDA

Whaley Foodservice Repair  
Jacksonville 904-725-7800

Whaley Foodservice Repair  
Orlando 407-757-0851

B.G.S.I./Heritage  
Pompano Beach 954-971-0456

Comm. Appliance Service  
Tampa 813-663-0313

## GEORGIA

Heritage Service Group  
Norcross 866-388-9837

## HAWAII

Burney's Comm. Service, Inc.  
Honolulu 808-848-1466

Food Equip Parts & Service  
Honolulu 808-847-4871

## ILLINOIS

Parts Town  
Addison 708-865-7278

Eichenauer Elec. Service  
Decatur 217-429-4229

Midwest Elec. Appl. Service  
Elmhurst 630-279-8000

Cone's Repair Service  
Moline 309-797-5323

## IOWA

Goodwin Tucker Group  
Des Moines 515-262-9308

## KENTUCKY

Tech 24  
Lexington 859-254-8854

Tech 24  
Louisville 502-451-5411

## LOUISIANA

Chandlers Parts & Service  
Baton Rouge 225-272-6620

## MARYLAND

Electric Motor Service  
Baltimore 410-467-8080

## MASSACHUSETTS

Ace Service Co., Inc.  
Needham 781-449-4220

## MICHIGAN

Bildons Appliance Service  
Detroit 248-478-3320

Commercial Kitchen Service  
Bay City 989-893-4561

Midwest Food Equip. Service  
Grandville 616-261-2000

## MISSOURI

General Parts  
Kansas City 816-421-5400

Commercial Kitchen Services  
St. Louis 314-890-0700

Kaemmerlen Parts & Service  
St. Louis 314-535-2222

## NEBRASKA

Anderson Electric  
Omaha 402-341-1414

## NEVADA

Burney's Commercial  
Las Vegas 702-736-0006

Hi. Tech Commercial Service  
N. Las Vegas 702-649-4616

## NEW JERSEY

Jay Hill Repair  
Fairfield 973-575-9145

Service Plus  
Flanders 973-691-6300

## NEW YORK

Alpro Service Co.  
Maspeth 718-386-2515

Duffy's - AIS  
Buffalo 716-884-7425

3Wire  
Plattsburgh 800-634-5005

Duffy's - AIS  
Sauquoit 800-836-1014

J.B. Brady, Inc.  
Syracuse 315-422-9271

## NORTH CAROLINA

Authorized Appliance  
Charlotte 704-377-4501

## OHIO

Akron/Canton Comm. Svc. Inc.  
Akron 330-753-6634

Tech 24  
Cincinnati 513-772-6600

Commercial Parts and Service  
Columbus 614-221-0057

Electrical Appl. Repair Service  
Brooklyn Heights 216-459-8700

E. A. Wichman Co.  
Toledo 419-385-9121

## OKLAHOMA

Hagar Rest. Service, Inc.  
Oklahoma City 405-235-2184

## OREGON

General Parts Group  
Portland 503-624-0890

## PENNSYLVANIA

Elmer Schultz Services  
Philadelphia 215-627-5401

FAST Comm. Appl. Service  
Philadelphia 215-288-4800

AIS Commercial Parts and Service  
Pittsburgh 412-809-0244

K & D Service Co.  
Harrisburg 717-236-9039

Electric Repair Co.  
Reading 610-376-5444

## RHODE ISLAND

Marshall Electric Co.  
Providence 401-331-1163

## SOUTH CAROLINA

Whaley Foodservice Repair  
Lexington 803-996-9900

## TENNESSEE

Camp Electric  
Memphis 901-527-7543

## TEXAS

Armstrong Repair Service  
Houston 713-666-7100

Cooking Equipment Specialist  
Mesquite 972-686-6666

Commercial Kitchen Repair Co.  
San Antonio 210-735-2811

## UTAH

La Monica's Rest. Equip. Service  
Murray 801-263-3221

## VIRGINIA

Daubers  
Norfolk 757-855-4097

Daubers  
Springfield 703-866-3600

## WASHINGTON

3Wire  
Seattle 800-207-3146

## WISCONSIN

A.S.C., Inc.  
Madison 608-246-3160

A.S.C., Inc.  
Milwaukee 414-543-6460

## CANADA

### ALBERTA

Key Food Equipment Service  
Edmonton 780-438-1690

### BRITISH COLUMBIA

Key Food Equipment Service  
Vancouver 604-433-4484

Key Food Equipment Service  
Victoria 250-920-4888

### MANITOBA

Air Rite, Inc.  
Winnipeg 204-895-2300

### NEW BRUNSWICK

EMR Services, Ltd.  
Moncton 506-855-4228

### ONTARIO

R.G. Henderson Ltd.  
Toronto 416-422-5580

Choquette - CKS, Inc.  
Ottawa 613-739-8458

### QUÉBEC

Choquette - CKS, Inc.  
Montreal 514-722-2000

Choquette - CKS, Inc.  
Québec City 418-681-3944

## UNITED KINGDOM

Marren Group  
Northants +44(0)1933 665313

**HATCO CORPORATION**

**P.O. Box 340500**

**Milwaukee, WI 53234-0500 U.S.A.**

**800-558-0607 414-671-6350**

**support@hatcocorp.com**

**www.hatcocorp.com**

**Register your unit online!**

See IMPORTANT OWNER INFORMATION  
section for details.

**Enregistrez votre appareil en ligne !**

Lisez la section INFORMATIONS IMPORTANTES POUR  
LE PROPRIÉTAIRE pour plus d'informations.