



IMPORTANT NOTE:

Locate the Specification Label on unit to determine exact Model Name and electrical specifications. This information is needed to identify the correct replacement parts. See exploded view illustration(s) for Specification Label location.

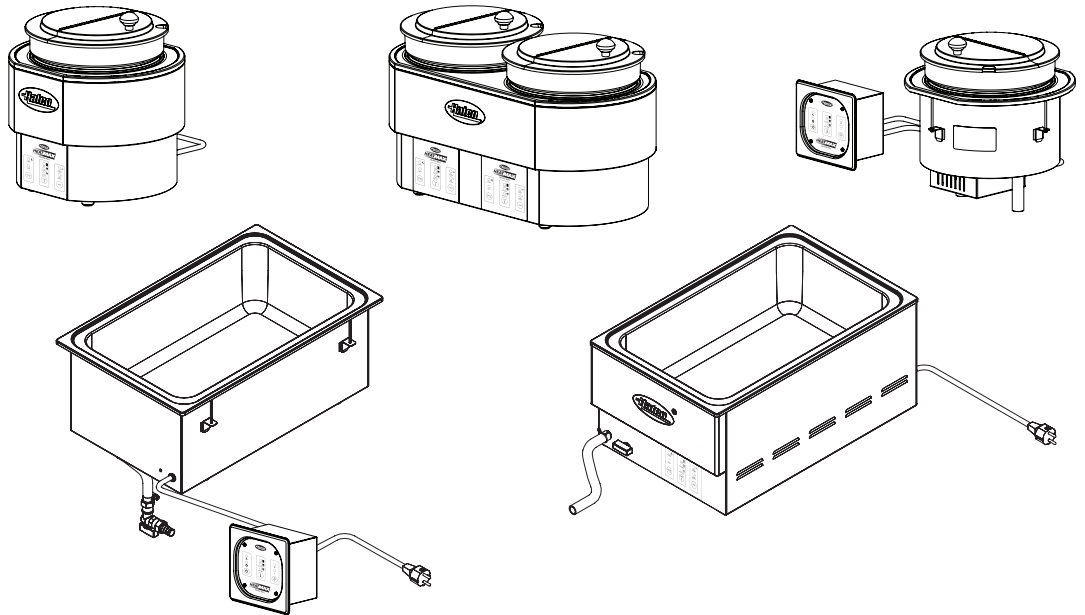


Use of replacement parts other than those supplied by Hatco Corporation may result in damage to unit or injury to personnel and will void all warranties.

HEATMAX[®] Heated Wells

RHW and RCTHW Series

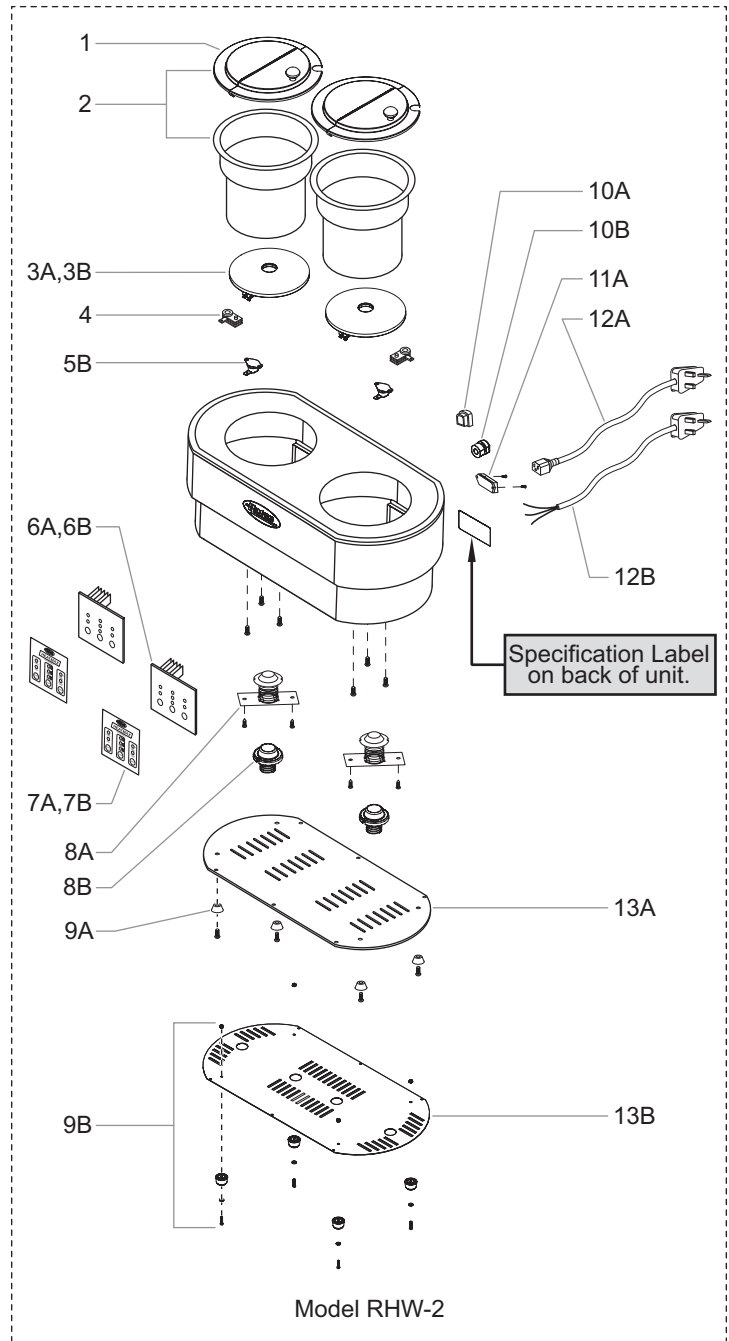
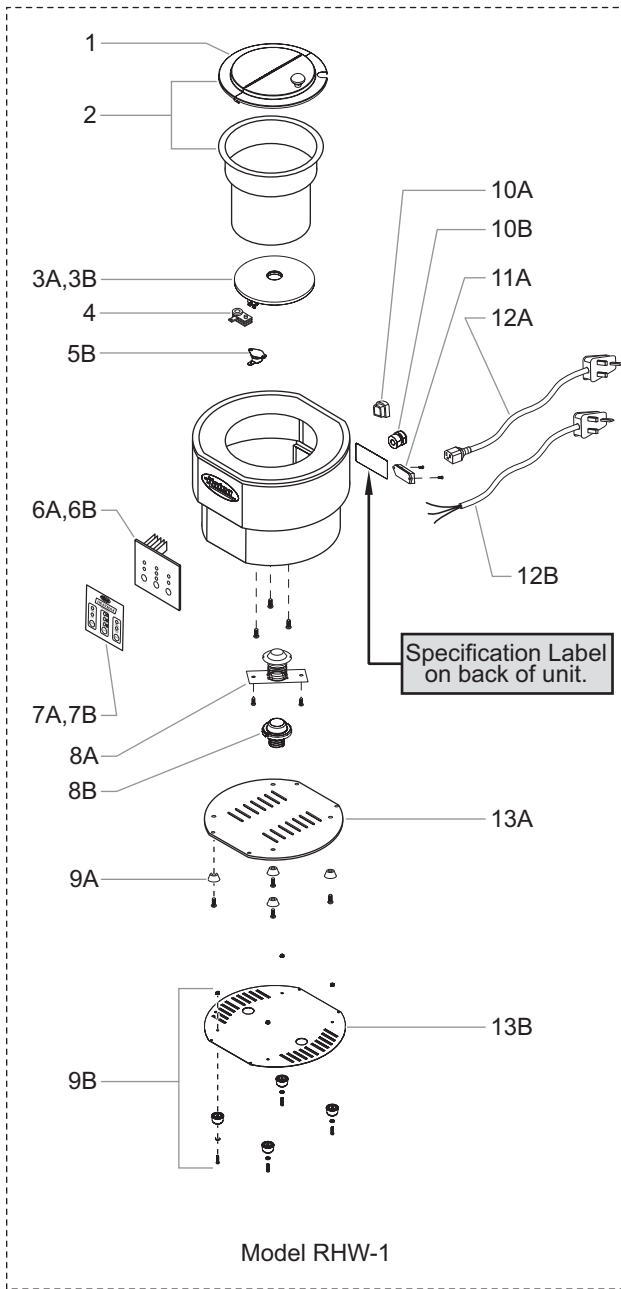
<u>Model Name</u>	<u>Page</u>	<u>Model Name</u>	<u>Page</u>	<u>Model Name</u>	<u>Page</u>
RHW-1.....	2	RCTHW-1.....	6 & 8	RCTHW-6.....	12
RHW-2.....	2	RCTHW-1B.....	6 & 10	RCTHW-6B.....	14
RHW-1B.....	4				



Replacement Parts List

Hatco HEATMAX® Heated Wells

RHW-1 and RHW-2 Models



IMPORTANT! — HOW TO USE THIS SECTION

This section is for RHW-1 and RHW-2 Model heated wells built before and after a manufacturing and part number change. Heated wells with a manufacturing date code of **0949** and older use **Item** numbers with the “A” suffix. Heated wells with a manufacturing date code of **0950** and newer use **Item** numbers with the “B” suffix. **Item** numbers that are not broken down with “A” or “B” suffixes are the same for all manufacturing date codes.

Part numbers of “N/A” indicate the item does not work with the designated unit or is no longer available.

NOTE: The last four digits in a ten digit numerical serial number are the manufacturing date code.

Example: Serial number 9625062231 has a date code of “2231” which indicates the following: 2231

Year 2022
Week Thirty-One

Parts List for RHW-1 and RHW-2 Models — 230 V

Item	Description	Part No.	Qty.
1	Lid, Hinged	04.19.1423.00	1–2
2	Pan, 10 liter (includes Item 1)	R04.19.1001.00	1–2
	Pan with Handles	04.19.1433.00	1–2
3A	Heating Element, 1250 W	X02.05.595.00	1–2
3B	Heating Element, 1250 W	02.05.595.00	1–2
4	High Limit Thermostat, 240°C *	02.16.219.00	1–2
5A	Thermal Disk	N/A	
5B	Thermal Disk	02.16.189.00	1–2
6A	Control Board	X02.01.238.00	1
6B	Control Board †	02.01.238.00	1
7A	Decal, Control Panel	X07.03.469.00	1–2
7B	Decal, Control Panel	07.01.333.00	1–2
8A	High Limit Sensor Assembly	X02.16.129.00	1–2
8B	High Limit Sensor and Harness Assembly	R02.18.286.00	1–2
9A	Foot	X05.30.094.00	4
9B	Foot Assembly Kit (includes four feet)	R05.30.148.04	1
10A	Strain Relief, Cord	X02.20.338.00	1
10B	Strain Relief, Cord	02.20.369.00	1

Item	Description	Part No.	Qty.
11A	Electrical Socket for Plug	X02.18.188.00	1
11B	Electrical Socket for Plug	N/A	
12A	Power Cord Assembly	X02.18.187.00	1
12B	Power Cord		
	AS 3112	02.18.105.00	1
	CEE 7/7 Schuko	02.18.038.00	1
	BS-1363	02.18.068.00	1
	CH1-10P (RHW-1 Models)	02.18.1053.00	1
	CH2-16P (RHW-2 Models)	02.18.518A.00	1
13A	Bottom Cover		
	RHW-1	X04.19.1005.00	1
	RHW-2	X04.19.1007.00	1
13B	Bottom Cover		
	RHW-1	04.42.220.00	1
	RHW-2	04.42.228.00	1
A	Wiring Diagram		
	RHW-1	10-01-363	
	RHW-2	10-01-364	
B	Wiring Diagram		
	RHW-1	10-01-815	
	RHW-2	10-01-842	

* Use P/N R02.16.227.00 for units with a date code of **2117** and older.

† Control Board (P/N 02.01.238.00) has three DIP switches. For RHW Series units, use the following settings: 1 = OFF, 2 = OFF, 3 = OFF.

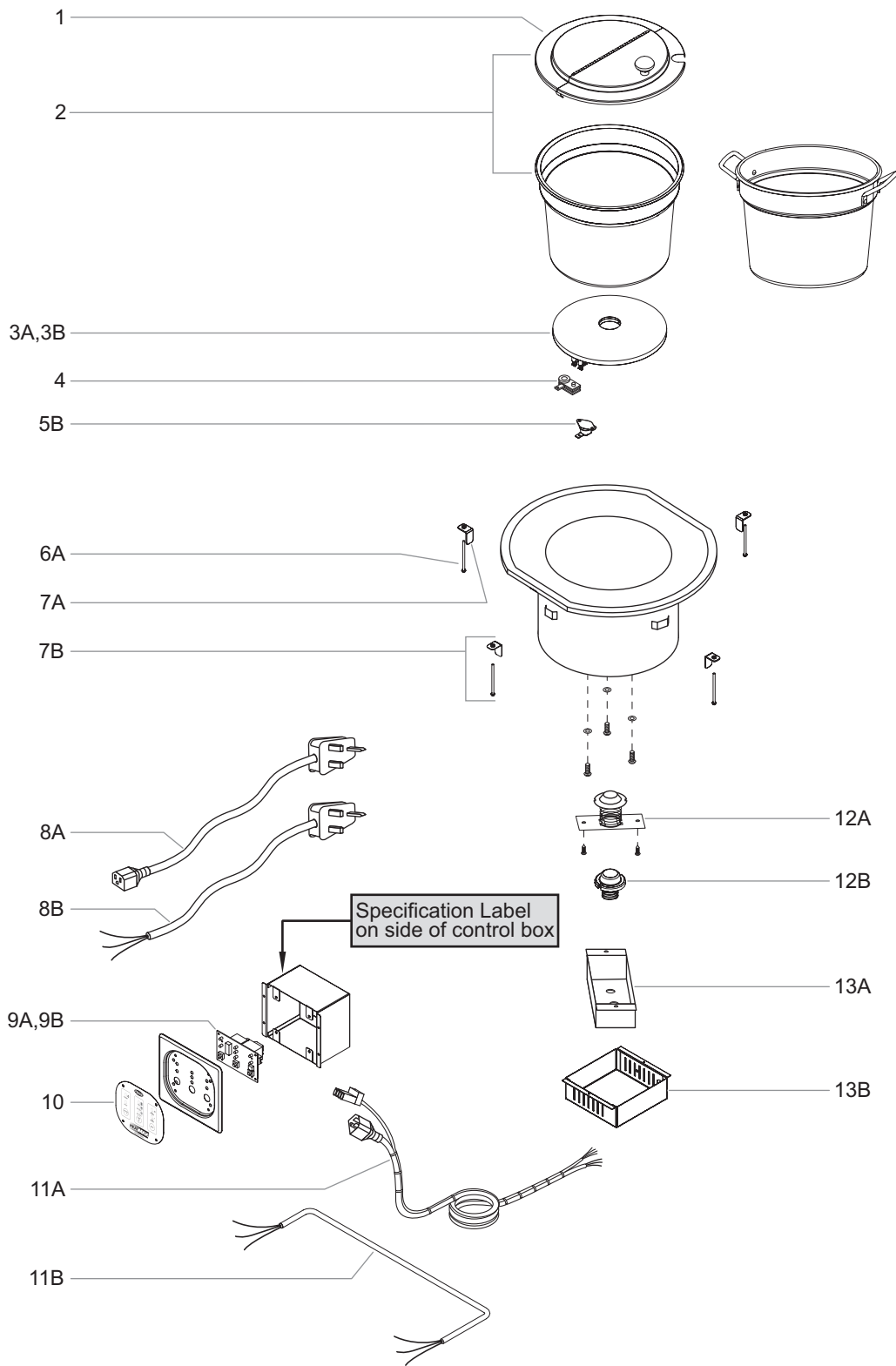
NOTE: Quantities shown as a range (example = “1–2”) are dependent upon the number of wells in a unit.



Use of replacement parts other than those supplied by Hatco Corporation may result in damage to the unit or injury to personnel and will void all warranties.

Hatco HEATMAX® Heated Wells

RHW-1B Model



IMPORTANT! — HOW TO USE THIS SECTION

This section is for RHW-1B Model built-in heated wells built before and after a manufacturing and part number change. Built-in heated wells with a manufacturing date code of **0947** and older use **Item** numbers with the “A” suffix. Built-in heated wells with a manufacturing date code of 0948 and newer use **Item** numbers with the “B” suffix. **Item** numbers that are not broken down with “A” or “B” suffixes are the same for all manufacturing date codes.

Part numbers of “N/A” indicate the item does not work with the designated unit or is no longer available.

Parts List for RHW-1B MODELS — 230 V

Item	Description	Part No.	Qty.
1	Lid , Hinged	04.19.1423.00	1
2	Pan, 10 liter (includes Item 1)	R04.19.1001.00	1
	Pan with Handles	04.19.1433.00	1
3A	Heating Element, 1250 W	X02.05.595.00	1
3B	Heating Element, 1250 W	02.05.595.00	1
4	High Limit Thermostat, 240°C *	02.16.219.00	1
5A	Thermal Disk	N/A	
5B	Thermal Disk	02.16.189.00	1
6A	Screw, Mounting Bracket	X05.04.518.00	4
6B	Screw, Mounting Bracket	N/A	
7A	Mounting Bracket	X04.19.1088.00	4
7B	Mounting Bracket, Assembly (set of four)	R04.42.334.04	1
8A	Power Cord Assembly	X02.18.187.00	1

Item	Description	Part No.	Qty.
8B	Power Cord		
	AS 3112	02.18.105.00	1
	CEE 7/7 Schuko	02.18.038.00	1
	BS-1363	02.18.068.00	1
	CCC	02.18.1053.00	1
9A	Control Board	X02.01.238.00	1
9B	Control Board †	02.01.238.00	1
10	Decal, Control Panel ■	07.01.411.00	1
11A	Control Cord Assembly	X02.18.156.00	1
11B	Control Cord Assembly	02.18.293.00	1
12A	High Limit Sensor Assembly	X02.16.129.00	1
12B	High Limit Sensor and Harness Assembly	R02.18.286.00	1
13A	Box Cover	X04.19.1064.00	1
13B	Box Cover	04.42.299.00	1
A	Wiring Diagram	10-01-363	
B	Wiring Diagram	10-01-814	

* Use P/N R02.16.227.00 for units with a date code of **2117** and older.

† Control Board (P/N 02.01.238.00) has three DIP switches. For RHW Series units, use the following settings:
1 = OFF, 2 = OFF, 3 = OFF.

■ Use decal P/N 07.01.333.00 for units with a date code of **1635** and older.

NOTE: The last four digits in a ten digit numerical serial number are the manufacturing date code.

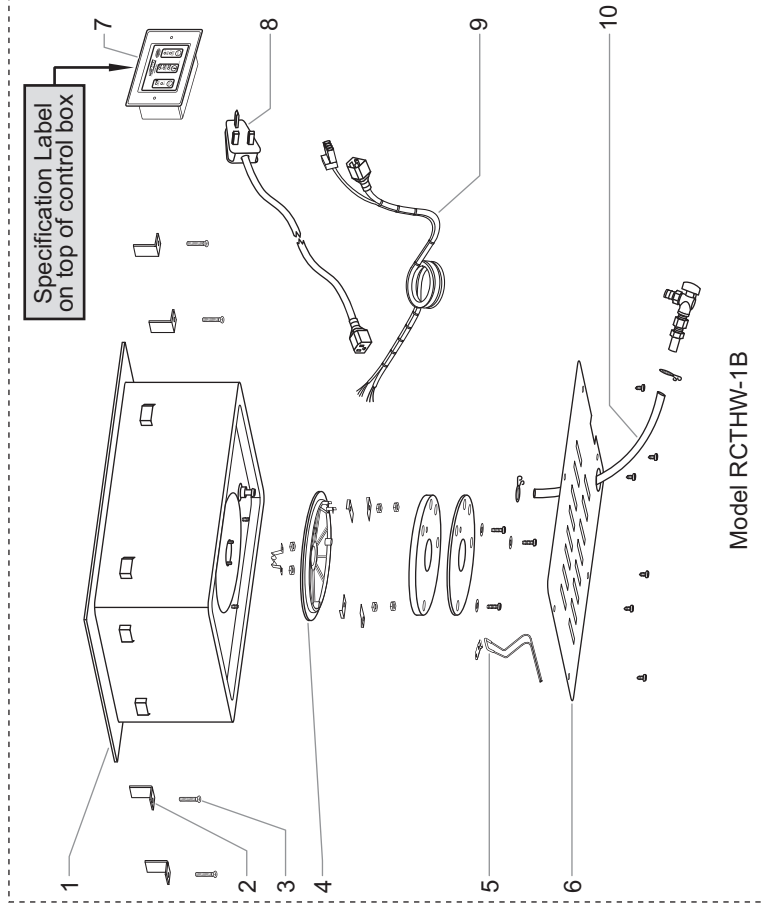
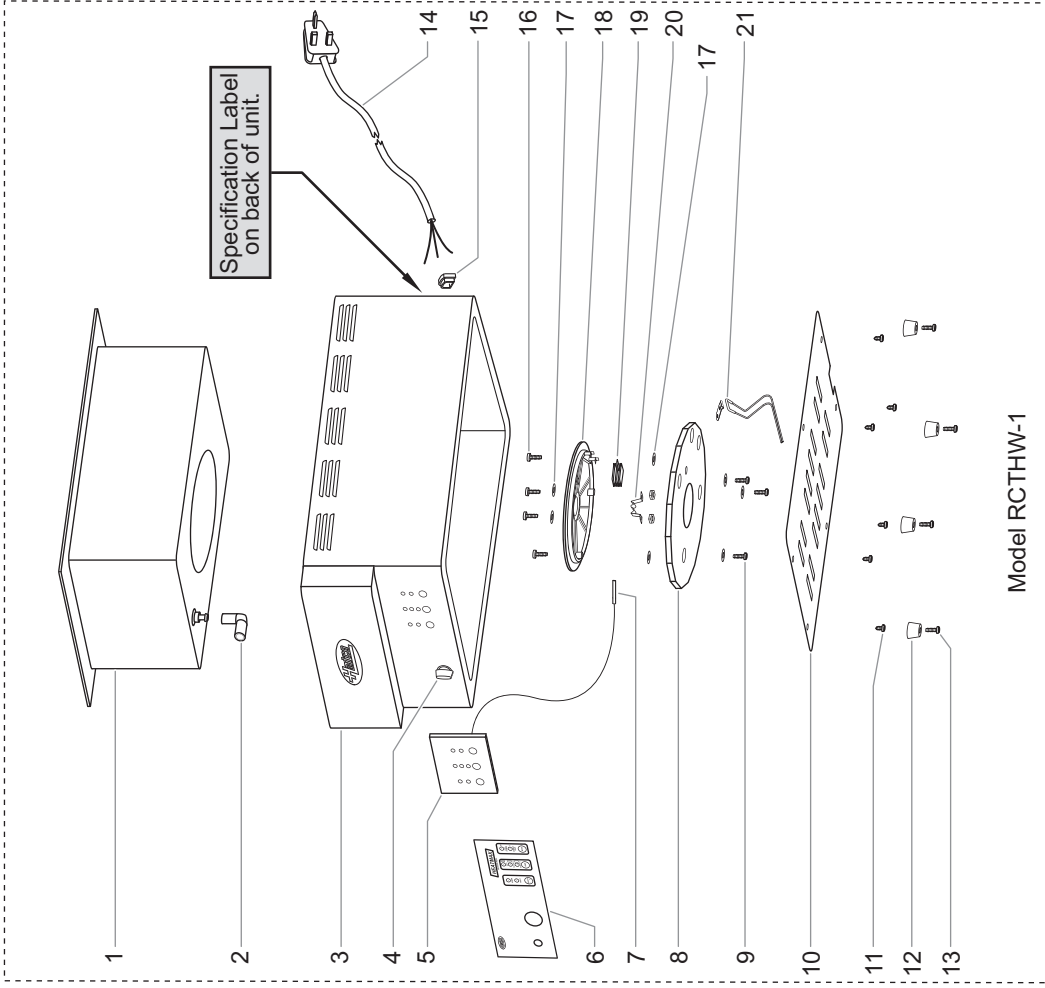
Example: Serial number 9625062231 has a date code of “2231” which indicates the following: 2231

└─ Week Thirty-One
└─ Year 2022



Use of replacement parts other than those supplied by Hatco Corporation may result in damage to the unit or injury to personnel and will void all warranties.

Hatco HEATMAX® Heated Wells
RCTHW -1 and RCTHW-1B Models (Date Code 1102 and older)



IMPORTANT NOTE:

This section is for RCTHW-1 and RCTHW-1B Model heated wells built before a manufacturing and part number change. Use this section for RCTHW-1 Series heated wells with a manufacturing date code of **1102** and older.

Parts List for RCTHW-1 Models — 220 V (Date Code 1102 and older)

Item	Description	Part No.	Qty.
1	Water Pan	X04.19.1121.00	1
2	Drain Elbow	X03.02.044.00	1
3	Enclosure	X04.19.1124.00	1
4	Drain Valve	X03.02.043.00	1
5	Control Board	X02.01.238.00	1
6	Decal, Control	X07.03.512.00	1
7	Temperature Sensor	X02.01.241.00	1
8	Insulated Panel Cover	X04.19.1123.00	1
9	Screw, Heating Element, Bottom	X05.04.523.00	3
10	Bottom Cover	X04.19.1125.00	1
11	Screw, Bottom Cover	X05.04.524.00	6
12	Supporting Leg	X05.30.094.00	4

Item	Description	Part No.	Qty.
13	Screw, Leg	X05.04.493.00	4
14	Power Cord w/ Socket	X02.18.217.00	1
15	Cord Grip	R02.20.259.00	1
16	Screw, Heating Element, Top	X05.04.522.00	4
17	Washer, Heating Element	X05.11.050.00	4
18	Heating Element, 2000 W	X02.05.608.00	1
19	High Limit Safety Switch	X02.16.133.00	1
20	Bracket, Sensor	X04.19.1122.00	1
21	High Limit Sensor and Harness Assembly	02.18.286.00	1
	Wiring Diagram	10-01-363	

Parts List For RCTHW-1B Models — 220 V (Date Code 1102 and older)

Item	Description	Part No.	Qty.
1	Enclosure	X04.19.1090.00	1
2	Mounting Bracket	X03.19.1088.00	4
3	Screw, Mounting Bracket	X05.04.518.00	4
4	Heating Element, 1250 W	X02.05.595.00	1
5	High Limit Sensor and Harness Assembly	02.18.286.00	1
6	Bottom Cover	X04.19.1092.00	1

Item	Description	Part No.	Qty.
7	Control Board	X02.01.238.00	1
8	Power Cord Assembly	X02.18.187.00	1
9	Control Cord Assembly	X02.18.170.00	1
10	Drain Hose	X03.40.019.00	1
	Wiring Diagram	10-01-364	

NOTE: The last four digits in a ten digit numerical serial number are the manufacturing date code.

Example: Serial number 962506**2231** has a date code of "2231" which indicates the following: 2231

└─ Week Thirty-One
└─ Year 2022

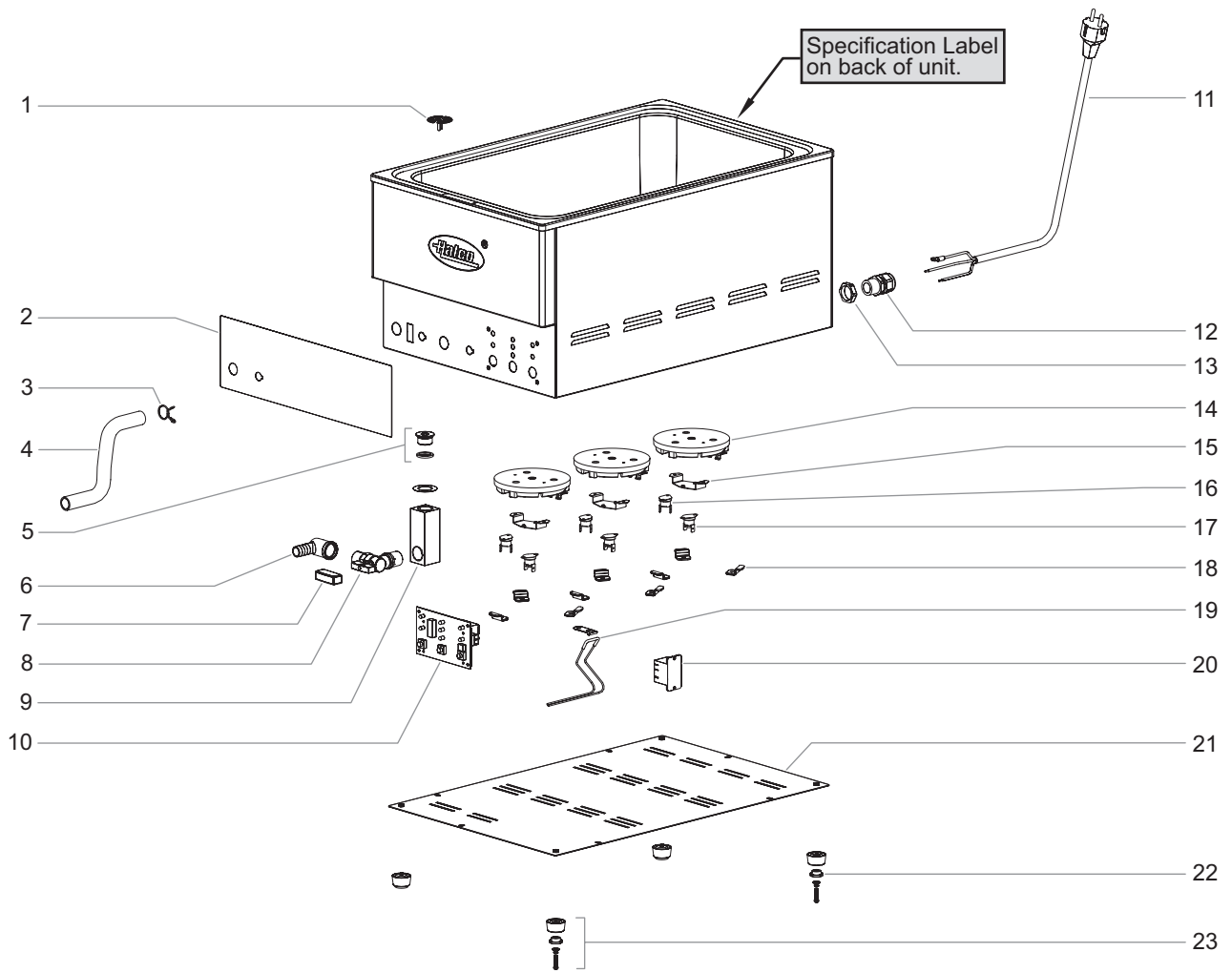


Use of replacement parts other than those supplied by Hatco Corporation may result in damage to the unit or injury to personnel and will void all warranties.

Hatco HEATMAX® Heated Wells

RCTHW-1 Model (Date Code 1103 and newer)

IMPORTANT NOTE:
This section is for RCTHW-1 Model heated wells built after a manufacturing and part number change. Use this section for RCTHW-1 Model heated wells with a manufacturing date code of **1103** and newer.



Parts List for RCTHW-1 Models — 230 V (Date Code 1103 and newer)

Item	Description	Part No.	Qty.
1	Strainer	04.42.468.00	1
2	Label, Control Plate	07.01.352.00	1
3	Spring Clamp	05.04.685.00	1
4	Silicone Tube (sold per meter)	03.40.133.00	1m
5	Drain Fitting and Washer	R03.40.130.00	1
6	Elbow Barb	03.40.138.00	2
7	Handle Cover	05.30.169.00	1
8	Faucet	03.40.127.00	1
9	Drain Fitting, S.S.	03.40.193.00	1
10	Control Board †	02.01.238.00	1
11	Power Cord		
	AS 3112	02.18.105.00	1
	CEE 7/7 Schuko	02.18.038.00	1
	BS-1363	02.18.068.00	1

Item	Description	Part No.	Qty.
12	Cord Grip	R02.20.259.00	1
13	Cord Grip Nut	02.20.259A.00	1
14	Heating Element	R02.05.736.00	3
15	Bracket, Thermostat	04.42.818.00	3
16	High-Limit Thermostat	02.16.193.00	3
17	High-Limit Thermostat, Manual Reset	02.16.189.00	3
18	Bracket, Element	04.42.474.00	9
19	High Limit Sensor and Harness Assembly	02.18.286.00	1
20	Relay, 220V ‡	02.01.341.00	1
21	Cover, Bottom	04.42.415.00	1
22	Foot Cushion	05.30.149.00	4
23	Foot Assembly Kit (includes four feet and Item 22)	R05.30.148.04	1
	Wiring Diagram	10-01-971	

† Control Board (P/N 02.01.238.00) has three DIP switches. For RCTHW Series units, use the following settings:
1 = ON, 2 = ON, 3 = ON.

‡ Relay installed on units with date code "1412" and newer.

NOTE: The last four digits in a ten digit numerical serial number are the manufacturing date code.

Example: Serial number 9625062231 has a date code of "2231" which indicates the following: 2231

└─ Week Thirty-One
└─ Year 2022

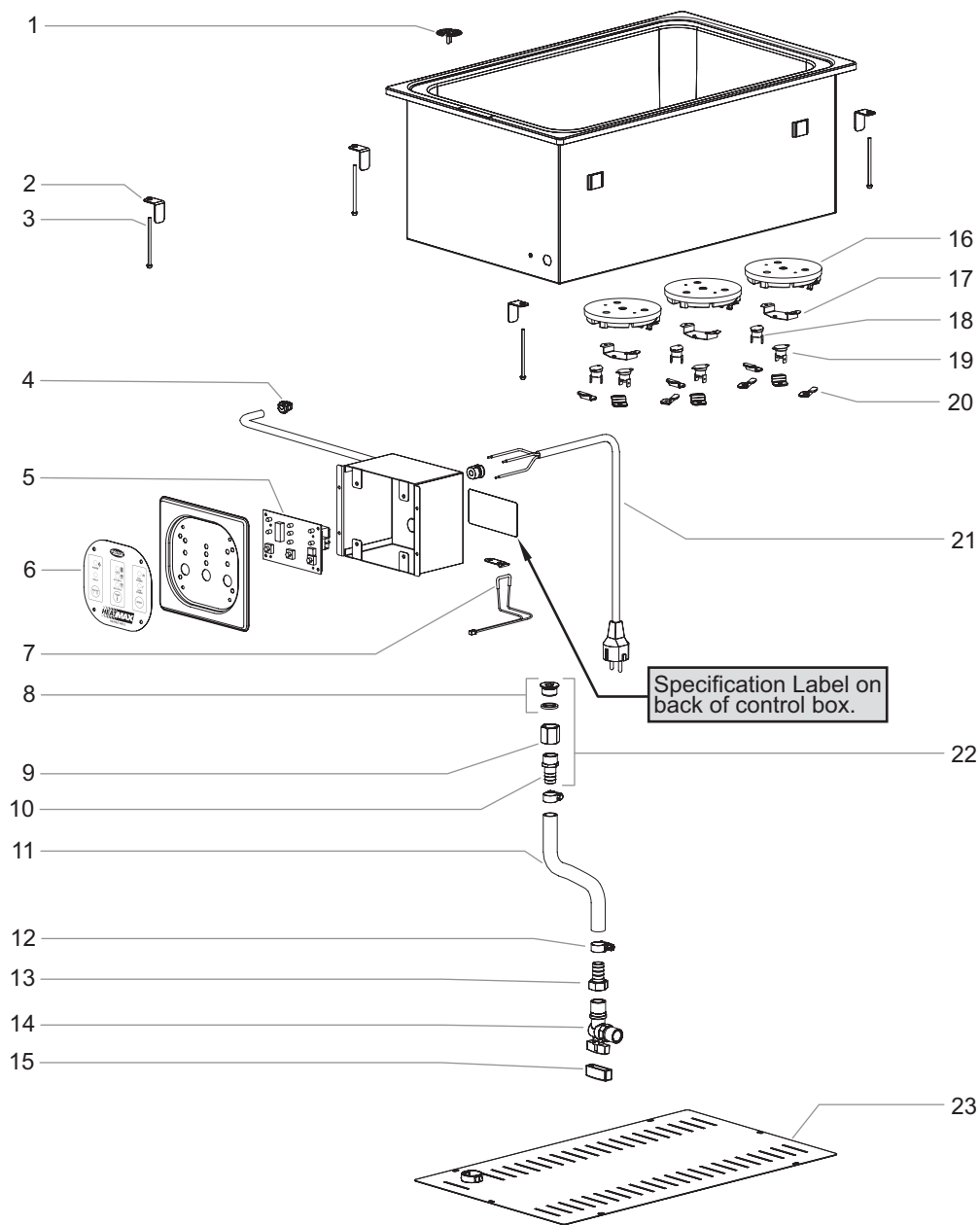


Use of replacement parts other than those supplied by Hatco Corporation may result in damage to the unit or injury to personnel and will void all warranties.

Hatco HEATMAX® Heated Wells

RCTHW-1B Model (Date Code 1103 and newer)

IMPORTANT NOTE:
 This section is for RCTHW-1B Model heated wells built after a manufacturing and part number change. Use this section for RCTHW-1B Model heated wells with a manufacturing date code of **1103** and newer.



Parts List for RCTHW-1B Models — 230 V (Date Code 1103 and newer)

Item	Description	Part No.	Qty.
1	Strainer	04.42.468.00	1
2	Mounting Bracket	04.42.334.00	4
3	Mounting Bracket Screw	05.04.636.00	4
4	Cord Grip	02.20.406.00	2
5	Control Board †	02.01.238.00	1
6	Label, Control Plate ■	07.01.411.00	1
7	High Limit Sensor and Harness Assembly	02.18.393.00	1
8	Drain Fitting and Washer	R03.40.130.00	1
9	Coupling, 1/2"	03.40.142.00	1
10	Fitting, Male, Barb	03.40.136.00	1
11	Silicone Tube (sold per meter)	03.40.133.00	1m
12	Hose Clamp	05.04.697.00	1
13	Fitting, Female, Barb	03.40.139.00	1

Item	Description	Part No.	Qty.
14	Faucet	03.40.127.00	1
15	Handle Cover	05.30.169.00	1
16	Heating Element	R02.05.736.00	3
17	Bracket, Thermostat	04.42.818.00	3
18	High-Limit Thermostat	02.16.193.00	3
19	High-Limit Thermostat, Manual Reset	02.16.189.00	3
20	Bracket, Element	04.42.474.00	9
21	Power Cord		
	AS 3112	02.18.105.00	1
	CEE 7/7 Schuko	02.18.038.00	1
	BS-1363	02.18.068.00	1
22	Drain Fitting Assembly (includes items 8–10)	R00.03.0008.00	1
23	Cover, Bottom	04.42.461.00	1
	Wiring Diagram	10-01-976	

† Control Board (P/N 02.01.238.00) has three DIP switches. For RCTHW Series units, use the following settings:
1 = ON, 2 = ON, 3 = ON.

■ Use decal P/N 07.01.333.00 for units with a date code of **1635** and older.

NOTE: The last four digits in a ten digit numerical serial number are the manufacturing date code.

Example: Serial number 9625062231 has a date code of "2231" which indicates the following: 2231

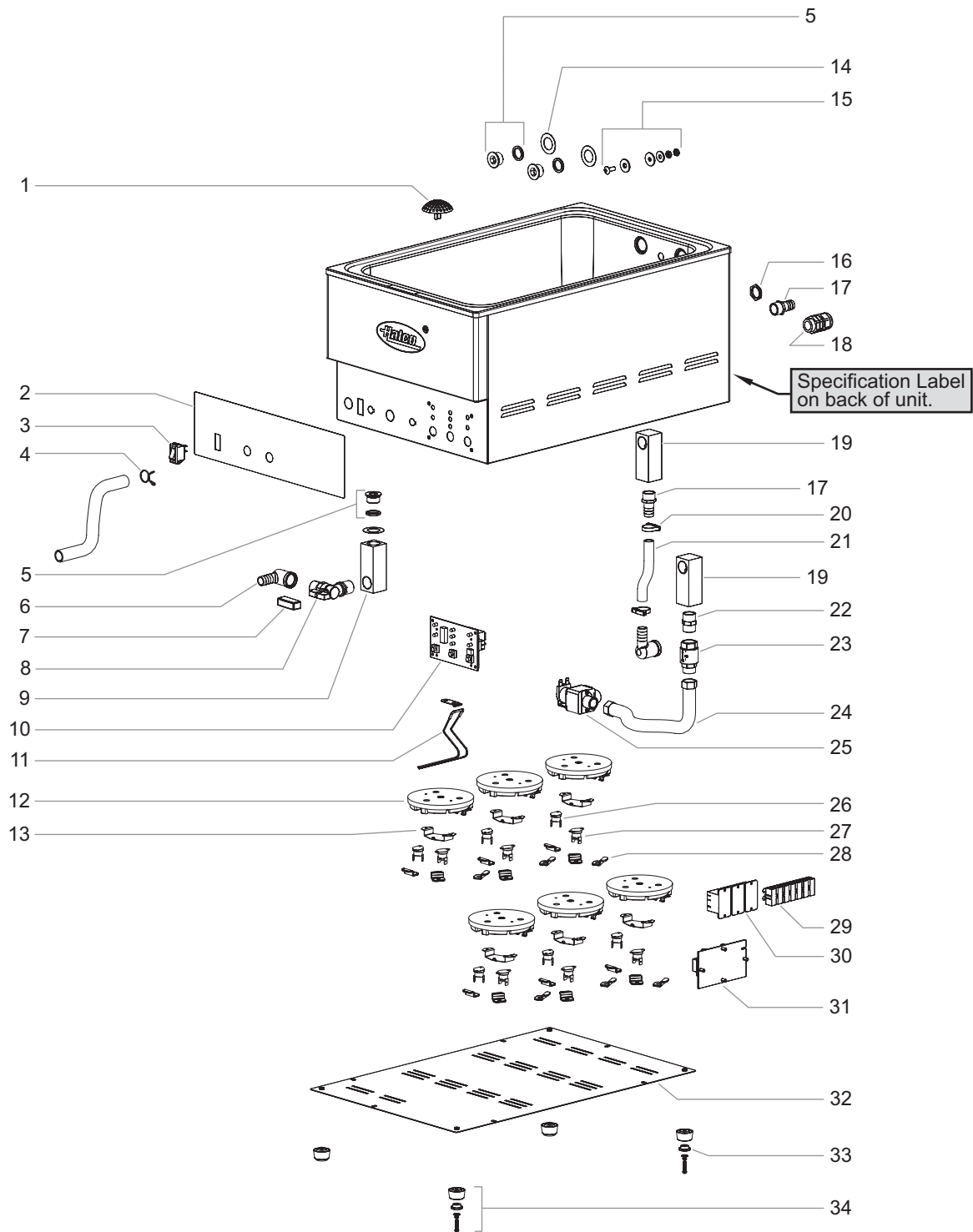
└─ Week Thirty-One
└─ Year 2022



Use of replacement parts other than those supplied by Hatco Corporation may result in damage to the unit or injury to personnel and will void all warranties.

Hatco HEATMAX® Heated Wells

RCTHW-6 Model



Parts List for RCTHW-6 Models — 230 V

Item	Description	Part No.	Qty.
1	Strainer	04.42.502.00	1
2	Label, Control Plate	07.01.349.00	1
3	Power Switch	02.19.216.00	1
4	Spring Clamp	05.04.685.00	1
5	Drain Fitting and Washer	R03.40.145.00	3
6	Elbow Barb	03.40.138.00	2
7	Handle Cover	05.30.169.00	1
8	Faucet	03.40.127.00	1
9	Drain Fitting, S.S.	03.40.193.00	1
10	Control Board †	02.01.238.00	1
11	High Limit Sensor and Harness Assembly	02.18.286.00	1
12	Heating Element	R02.05.736.00	6
13	Bracket, Thermostat	04.42.818.00	6
14	Washer, Teflon, Water Probe	02.01.361.00	3
15	Sensor Screw Assembly	R05.04.750.00	1
16	Nut, Brass	05.04.731.00	1
17	Fitting, Barbed	03.40.136.00	1
18	Cord Grip	R02.20.259.00	1

Item	Description	Part No.	Qty.
19	Drain Fitting, Aluminum	03.40.129.00	2
20	Hose Clamp	05.04.738.00	2
21	Silicone Tube (sold per meter)	03.40.133.00	1m
22	Nipple, Male	03.11.017.00	1
23	Valve, Back-flow Preventer	03.02.083.00	1
24	Flexible Tube	03.40.150.00	1
25	Valve, Solenoid	03.02.080.00	1
26	High-Limit Thermostat	02.16.193.00	6
27	High-Limit Thermostat, Manual Reset	02.16.189.00	6
28	Bracket, Element	04.42.474.00	18
29	Terminal Block	02.15.061.00	1
30	Relay, 220V	02.01.341.00	3
31	Low Water Cutoff Board	02.01.210.00	1
32	Cover, Bottom	04.42.415.00	1
33	Foot Cushion	05.30.149.00	4
34	Foot Assembly Kit (includes four feet and Item 33)	R05.30.148.04	1
	Wiring Diagram	10-01-958	

† Control Board (P/N 02.01.238.00) has three DIP switches. For RCTHW Series units, use the following settings:
1 = ON, 2 = ON, 3 = ON.

NOTE: The last four digits in a ten digit numerical serial number are the manufacturing date code.

Example: Serial number 962506**2231** has a date code of "2231" which indicates the following: 2231

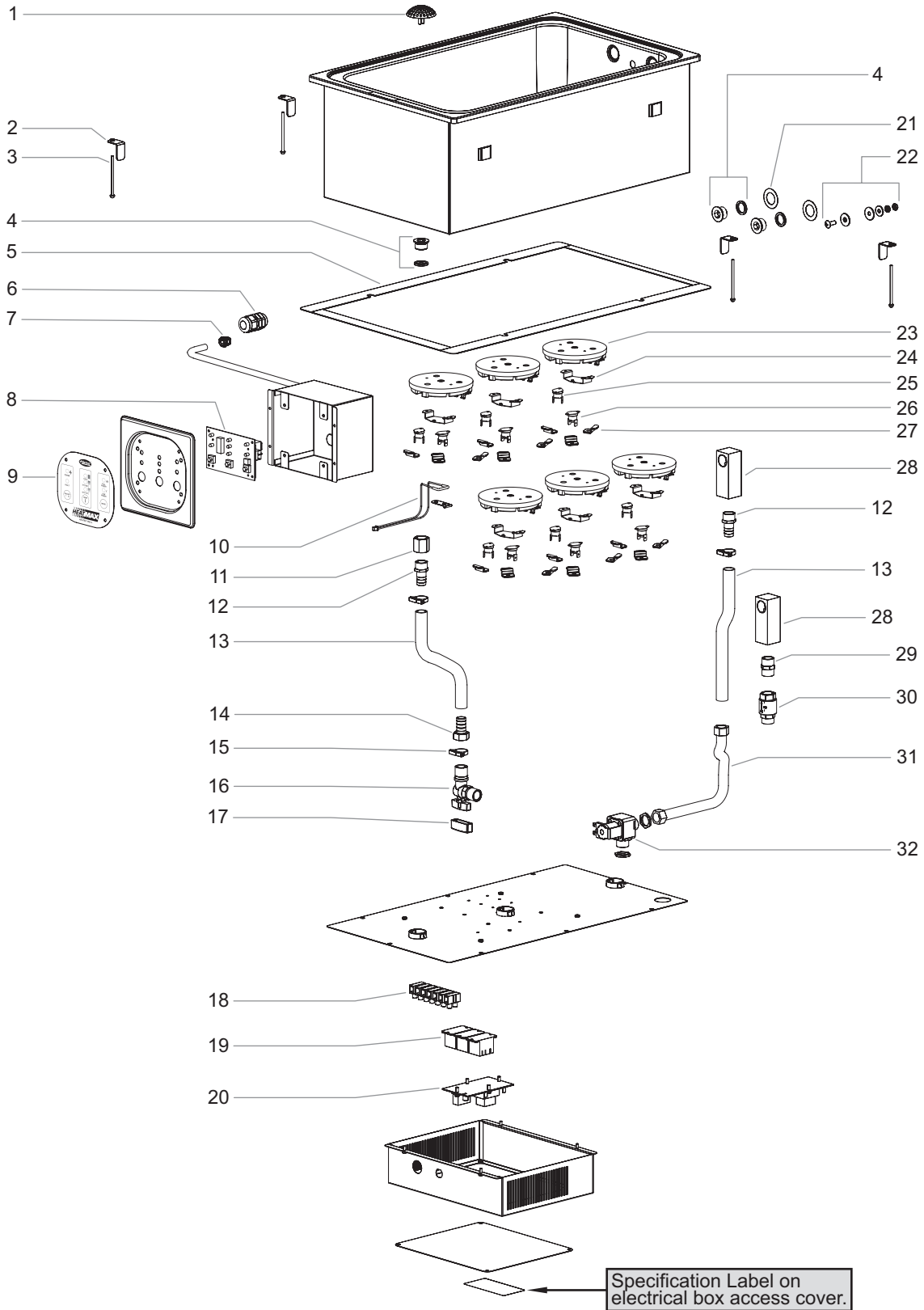
└─ Week Thirty-One
└─ Year 2022



Use of replacement parts other than those supplied by Hatco Corporation may result in damage to the unit or injury to personnel and will void all warranties.

Hatco HEATMAX® Heated Wells

RCTHW-6B Model



Parts List for RCTHW-6B Models — 230 V

Item	Description	Part No.	Qty.
1	Strainer	04.42.502.00	1
2	Installation Plate	R04.42.334.00	4
3	Screw	05.04.636.00	4
4	Drain Fitting and Washer	R03.40.145.00	3
5	Mounting Plate	04.42.442.00	1
6	Cord Grip, Straight	R02.20.259.00	1
7	Cord Grip	02.20.372.00	2
8	Control Board †	02.01.238.00	1
9	Label, Control Panel ■	07.01.411.00	1
10	High Limit Sensor and Harness Assembly	02.18.393.00	1
11	Coupling, Female	03.40.142.00	1
12	Fitting, Male	03.40.136.00	1
13	Silicone Tube (sold per meter)	03.40.133.00	1m
14	Fitting, Female	03.40.139.00	1
15	Hose Clamp	05.04.738.00	2
16	Faucet	03.40.127.00	1
17	Handle Cover	05.30.169.00	1

Item	Description	Part No.	Qty.
18	Terminal Block	02.15.061.00	1
19	Relay, 220V	02.01.341.00	3
20	Low Water Cutoff	R02.01.210.00	1
21	Washer, Teflon, Water Probe	02.01.361.00	3
22	Sensor Screw Assembly	R05.04.750.00	1
23	Heating Element	R02.05.736.00	6
24	Bracket, Thermostat	04.42.818.00	6
25	High-Limit Thermostat	02.16.193.00	6
26	High-Limit Thermostat, Manual Reset	02.16.189.00	6
27	Bracket, Element	04.42.474.00	18
28	Drain Fitting, Large	03.40.129.00	2
29	Nipple, Male	03.01.017.00	1
30	Valve, Back-flow Preventer	03.02.083.00	1
31	Flexible Tube	03.40.150.00	1
32	Valve, Solenoid	03.02.080.00	1
	Wiring Diagram	10-01-1017	

† Control Board (P/N 02.01.238.00) has three DIP switches. For RCTHW Series units, use the following settings:
1 = ON, 2 = ON, 3 = ON.

■ Use decal P/N 07.01.333.00 for units with a date code of **1635** and older.

NOTE: The last four digits in a ten digit numerical serial number are the manufacturing date code.

*Example: Serial number 962506**2231** has a date code of "2231" which indicates the following: 2231*

└─ Week Thirty-One
└─ Year 2022



Use of replacement parts other than those supplied by Hatco Corporation may result in damage to the unit or injury to personnel and will void all warranties.

**HATCO AUTHORIZED PARTS
DISTRIBUTORS**

United Kingdom

Marren Group
Northants +44(0)1933 666233



HATCO CORPORATION
P.O. Box 340500
Milwaukee, WI 53234-0500 U.S.A.
414-671-6350
partsandservice@hatcocorp.com
www.hatcocorp.com



**HATCO CORP. FOODSERVICE
EQUIPMENT (SUZHOU) CO. LTD.**
Unit A/No. 9 Weixin Road
Suzhou Industrial Park, Jiangsu, China
Telephone (0512) 6732-5091
infocn@hatcocorp.com
www.hatcocorp.com