



Freezer
7464.0055

User Manual
Gebruikershandleiding
Gebrauchsanweisung
Le mode d'emploi



CONTENT

ENGLISH

| | |
|---|----|
| GENERAL WARNINGS..... | 5 |
| THE ISSUES TO BE CONSIDERED FOR EFFICIENT OPERATION AND ENERGY SAVING | 6 |
| DESCRIPTION OF YOUR DEEP FREEZER | 7 |
| INSTALLATION | 8 |
| Positioning | 8 |
| Installation procedure..... | 8 |
| STARTING YOUR DEEP FREEZER | 10 |
| ELECTRONIC CONTROL SYSTEM (OPTIONAL)..... | 12 |
| CLEANING, MAINTENANCE AND TRANSPORT | 13 |
| Defrost process | 13 |
| Cleaning | 13 |
| Holidays/suspending operation | 13 |
| Transport..... | 14 |
| BEFORE CALLING THE SERVICE | 14 |
| COMPLIANCE STANDARDS | 14 |

NEDERLANDS

| | |
|--|----|
| ALGEMENE INFORMATIE..... | 16 |
| BELANGRIJKE INFORMATIE VOOR EEN EFFICIENT GEBRUIK EN VOOR ENERGIEBESPARING | 17 |
| OMSCHRIJVING VAN UW DIEPVRIEZER | 18 |
| INSTALLATIE | 19 |
| Plaatsbepaling..... | 19 |
| Installatie procedure | 19 |
| HET INSCHAKELEN VAN UW DIEPVRIEZER..... | 22 |
| ELEKTRONISCH CONTROLESYSTEEM (OPTIONEEL) | 24 |
| REINIGING, ONDERHOUD EN TRANSPORT | 25 |
| Defrost (Ontdooiing) Handeling..... | 25 |
| Reiniging | 25 |
| Vakanties / Tijdelijk niet gebruiken | 26 |
| Transport..... | 26 |
| ALVORENS DE SERVICEDIENST IN TE SCHAKELEN | 26 |
| COMPLIANCE NORMEN | 26 |

DEUTSCH

| | |
|--|----|
| ALLGEMEINE WARNUNGEN | 28 |
| HINWEISE FÜR EINE PRODUKTIVE UND ÖKONOMISCHE ANWENDUNG | 29 |
| BESCHREIBUNG IHRER TIEFKÜHLTRUHE | 30 |
| AUFSTELLEN | 31 |
| Aufstellplatz | 31 |
| Ablauf der Einrichtung | 31 |
| EINSCHALTEN DER TIEFKÜHLTRUHE | 33 |
| ELEKTRONISCHES KONTROLLSYSTEM (OPTIONAL) | 35 |
| REINIGUNG, PFLEGE UND TRANSPORT | 36 |
| Defrostbetrieb (Abtauen) | 36 |
| Reinigung | 36 |
| Ferien / Unterbrechung des Gebrauchs | 37 |
| Transport | 37 |
| VOR DEM AUFSUCHEN EINES SERVICE | 37 |
| EIGNUNGSSTANDARTS | 37 |

FRANÇAIS

| | |
|--|----|
| AVERTISSEMENTS GÉNÉRAUX | 39 |
| ÉLÉMENTS À PRENDRE EN COMPTE POUR L'UTILISATION PRODUCTIVE ET L'ÉCONOMIE D'ÉNERGIE | 40 |
| PRÉSENTATION DE VOTRE CONGÉLATEUR | 41 |
| INSTALLATION | 42 |
| Identification du lieu | 42 |
| Procédure d'installation | 42 |
| FONCTIONNEMENT DE VOTRE CONGÉLATEUR | 44 |
| SYSTÈME DE CONTRÔLE ÉLECTRONIQUE (OPTION) | 46 |
| NETTOYAGE, MAINTENANCE ET TRANSPORT | 47 |
| Opération de dégivrage | 47 |
| Nettoyage | 47 |
| Vacances / suspension de l'utilisation | 48 |
| Transport | 48 |
| AVANT D'APPELER LE SERVICE | 48 |
| STANDARDS DE CONFORMITÉ | 48 |

Dear Customer,

This product is manufactured in modern facilities respectful to nature and environment and subjected to comprehensive quality control processes. The “environmental friendly” technologies have been used in manufacturing process of that product and the materials-gasses are preferred which do not harm natural life.

This operating manual is designed for you to use that product at maximum output for long years and includes important information.

Please, firstly read this operating manual thoroughly from its beginning to the end and keep it in a place where you can easily access as a source.

Symbols and Descriptions

The following symbols are used in the operating manual.



Important information and clues



Warning against the security of Life and Property



Warning against electric voltage

GENERAL WARNINGS



- Please, check whether your deep freezer has any damages when you buy it. Please, do not start a damaged deep freezer.
- The following rules should be taken into consideration for a non-hazardous and safe operation.
- The installation, positioning, operation, maintenance and cleaning of your deep freezer should be performed in accordance with the operating manual. Please, do not perform any other practice other than the ones described in this operating manual. If, your deep freezer is damaged or fails due to a practice mentioned above, it will be out of the guarantee scope.
- The package of your deep freezer is manufactured from recyclable materials.
- Please, keep the certificates and other documents for potential future use.
- Please, do not forget that the UV rays of the Sun will affect the food in the deep freezers with glass doors. Position your deep freezer (even if it is empty) at an appropriate location where it cannot be subjected to direct sunlight.
- This product is not suitable for using in places with fire, explosion or radiation risk.
- Unless, otherwise explicitly mentioned, do not place your deep freezer in open environments where your deep freezer can penetrate water.
- While you are placing your deep freezer, maintain minimum 10 cm spaces from the top, rear and sides of your deep freezer in order to ensure air circulation. If, you will place another deep freezer or a refrigerator next to it, please be careful that the space between both units is minimum 30 cm.
- Clean the inside of your deep freezer before first use.
- For the VF 500 type deep freezers, please make sure that the drainage plug of your deep freezer is attached during operation. Otherwise, there may be ice formation around the drainage hole.
- The deep freezer should be operated in operating conditions appropriate with the class mentioned on its type label.
- Do not ever cover or close the ventilation holes (the plastic front grid, rear grid) of your deep freezer.
- Please, prefer original components for or any replacement parts which is required to be installed on the product.
- Do not ever use the base, racks, door and similar parts of your deep freezer as a support or a step.
- Do not use any electrical tools in your deep freezer.
- Do not use any mechanical devices or apply any other methods in order to accelerate the defrost process other than the ones recommended by the manufacturer.
- While loading your deep free, please do not exceed the maximum loading capacity mentioned by a level label (if there is any).



- Connect your deep freezer into a grounded plug with suitable operating voltage and frequency which is installed in accordance with the regulations.
- The operating voltage and frequency of your deep freezer are mentioned on the type label on it.
- Before, starting your deep freezer, please make your plug checked by the authorized technical service or a qualified electrician whether it is suitable for operating the deep freezer.
- The repairs on electrical devices should be performed only by qualified personnel. The installation processes and repairs which are performed unconsciously can cause hazards for the user. Please, consult the authorized technical service for all your questions and problems related with the product. Please, do not interfere or allow anyone interfere the product outside the knowledge of the authorized technical services.
- If, there is any problem on the electric cable or the plug, these items should be replaced by the manufacturer or the technical service agency or an authorized personnel with same authority.
- Do not use an extension cord or a multi plug.
- Please, make sure that the socket you will plug in your deep freezer is not damaged.
- Do not plug in any plugs with damaged, torn or worn cables.
- Keeping the electric cable plug and socket at an easily accessible position provides advantage in case of an emergency/hazardous circumstance.

- Do not perform any maintenance and repairs while your deep freezer is plugged in. Disconnect the electrical connection of your deep freezer by turning off the switches or unplugging your deep freezer in case of any failure or while performing maintenance and cleaning. Otherwise, it can cause death or serious injuries.
- Unplug your deep freezer or turn off the switch it is connected before cleaning your deep freezer.
- While you are unplugging your deep freezer, make sure you always hold head of the plug. Do not ever hold and pull from its cable.
- While cleaning your deep freezer and its perimeter, do not wash it by pressurized water or a hose, use a wet cloth. Otherwise, the water which may penetrate into the electrical assemblies of the product may cause electric shock or fire risks.
- Do not ever use hot water, alcohol, cleaning powders, electrical heater, steamed cleaning appliances, hard/pointy tools and similar things in order not to damage your deep freezer during cleaning.
- When, the door glass of your deep freezer is damaged, do not touch your deep freezer, in case of electric shock risk. Immediately unplug your deep freezer. Contact the authorized technical service after replacing the frozen goods in your deep freezer in another deep freezer or a suitable environment.

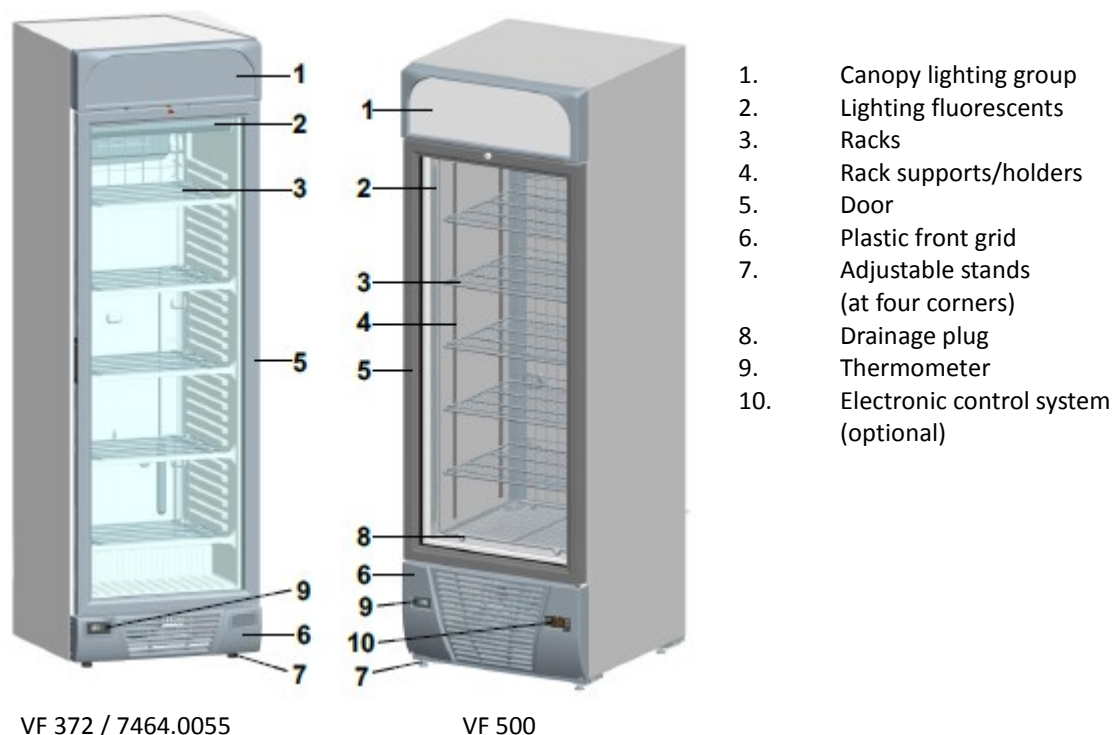


- This product is not designed for operation by persons with insufficient physical, emotional or mental ability or knowledge and experience (including children), unless these persons are observed and supervised or informed by a person responsible for their safety.
- Do not remove any other exterior protection cover except the ones mentioned in this operating manual.
- Do not touch the metal interior parts of your operating product with bare hands.
- Keep the packing material in a place where children cannot access them, because they may cause hazard for children.
- Do not ever keep any products containing flammable gas and explosive materials in your deep freezer.

THE ISSUES TO BE CONSIDERED FOR EFFICIENT OPERATION AND ENERGY SAVING

- The deep freezer should be operated in operating conditions appropriate with the class mentioned on its type label.
- Place your deep freezer at a location which is distant to the heating sources.
- Place your deep freezer at a location, where it shall not be exposed to direct sunlight.
- Do not leave the door of your deep freezer open for a long time.
- While you are placing your deep freezer, maintain minimum 10 cm spaces from the top, rear and sides of your deep freezer. If, you will place another deep freezer or a refrigerator next to it, please be careful that the space between both units is minimum 30 cm. Otherwise, the performance of the product will decrease and the product will consume more power, because it cannot perform heat exchange well.
- Load your deep freezer and do not exceed the maximum loading capacity mentioned on the label (if there is any) to make sure air circulation is possible.
- Do not ever cover or close the ventilation holes (the plastic front grid, rear grid) of your deep freezer.
- For productive usage of your deep freezer, make your condenser maintained / cleaned by the Authorized technical services at least two times in a year.

DESCRIPTION OF YOUR DEEP FREEZER



VF 372 / 7464.0055

VF 500

| The technical specifications | | VF 372 / 7464.0055 | VF 500 |
|------------------------------|------------|--------------------------------|--------------|
| Operating temperature | °C | -18 / -24 | -18 / -25 |
| Power consumption | kWh/24h | Please look at the type labels | |
| Power | W | | |
| Voltage / frequency | V/hz | | |
| Exterior dimensions | HxWxD (mm) | | |
| Interior dimensions | HxWxD (mm) | 1571x521x465 | 1573x538x573 |
| Gross volume | Lt | 372 | 470 |
| Net volume | Lt | 334 | 363 |
| Maximum rack weight | Kg | 40 | 45 |
| Maximum ambient temperature | °C | 38 | |
| Temperature class | | C-condition | |



- The type label is inside of your deep freezer.
- For type labels, look at the rear cover of your operating manual.
- The images used in the operating manual are illustrative images which are closest to the product and they can vary according to the models and options.

INSTALLATION

The installation, positioning, operation, maintenance and cleaning of your deep freezer should be performed in accordance with the operating manual. Please, do not perform any other practice other than the ones described in this operating manual. If, your deep freezer is damaged or fails due to a practice mentioned above, it will be out of the guarantee scope.

Positioning

- It is very important to ensure the following environmental conditions for problem free and efficient operation of your deep freezer.
- The ambient where your deep freezer will be placed, should be in accordance with the conditions of the class mentioned on the type label.
- Please, do not forget that the UV rays of the Sun will affect the food in the deep freezers with glass doors. Position your deep freezer (even if it is empty) at an appropriate location where it cannot be subjected to direct sunlight.
- This product is not suitable for using in places with fire, explosion or radiation risk.
- Unless, otherwise explicitly mentioned, do not place your deep freezer in open environments where your deep freezer can penetrate water.
- While you are placing your deep freezer, maintain minimum 10 cm spaces from the top, rear and sides of your deep freezer in order to ensure air circulation. If, you will place another deep freezer or a refrigerator next to it, please be careful that the space between both units is minimum 30 cm.
- Do not ever cover or close the ventilation holes (the plastic front grid, rear grid) of your deep freezer.

Installation procedure

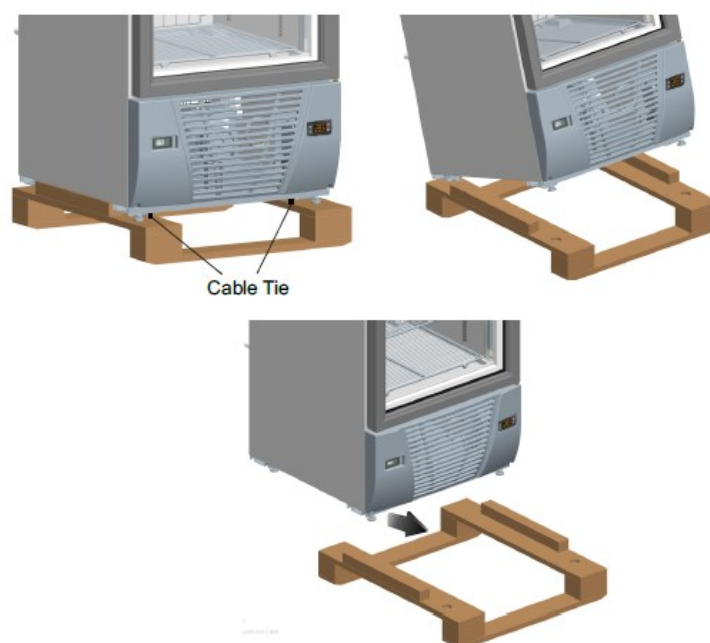
Remove all packing materials and dismount the wooden pallet before placing your deep freezer.

Disassembling the wooden pallet



Weight of your deep freezer should be taken into consideration while removing the wooden pallet.

The deep freezer is delivered to you on the wooden pallet by fixing with 4 cable ties. Please, read the following instructions, before placing your deep freezer in its place. The cable ties fixing the deep freezer with the wooden pallet at front and rear sides are removed by cutting with a cutter. The pallet is removed from the bottom of the deep freezer by laying down the deep freezer from its rear side. The deep freezer is placed on the floor. If, the floor is not level, the product is leveled.



Leveling the deep freezer



The floor where the deep freezer is placed should be level and the deep freezer should be leveled in order to operate properly.

In order to level the deep freezer, unscrew the stand screws of the deep freezer by laying the deep freezer forward and backward by holding from its front and rear sides. Leave the deep freezer on the floor and check whether it is level or not by using a water gauge. If, it is inclined to anyway, adjust by means of the stand screws.

Installing the racks

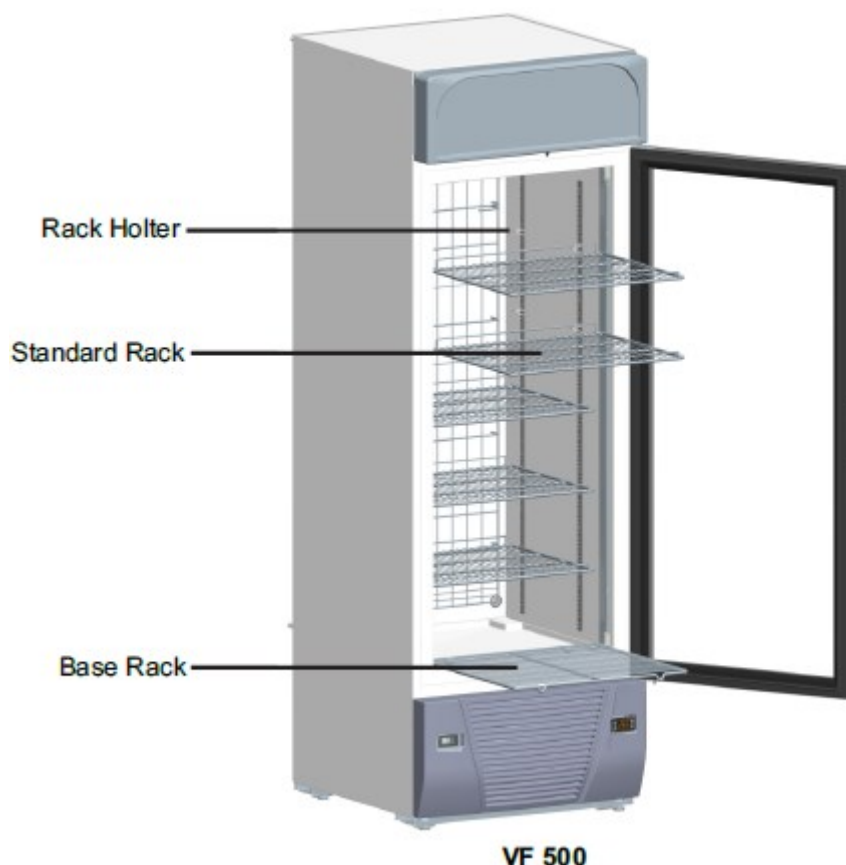
Only valid for VF500 model deep freezers!

In your deep freezer, there are totally 6 racks as 5 of them as standard and 1 as base rack and 20 rack supports. In order to install the racks in their places, install the rack supports/holders in accordance with the sizes of the products to be put on the rack by using the numbers on the rack bars. You can seat the rack supports/holders by holding them from both ends by pliers in order to install them easily.

Firstly, place the base rack on the base of the deep freezer. Then, seat the first rack to be placed on the base rack on the lugs of the rack supports/holders by slightly bending it. Then install the other standard racks by applying the same method.



Do not ever load anything on the base of your deep freezer. Load your thing on the base rack of it.



STARTING YOUR DEEP FREEZER



Your deep freezer should be kept stand still in its normal operating position at least for 2 hours before starting it after any transport.

In order to start your deep freezer, plug it in an appropriate socket. There is not another on/off switch on your deep freezer. Your deep freezer will begin operating. You can turn on/off the lamps of your deep freezer by means of the switches under the canopy. (optional) The interior temperature value of your deep freezer is set in the factory in order not to spoil your products at any condition. You should run your deep freezer empty at least for 3 hours before loading it. Do not cool or freeze the products in your deep freezer which are forbidden to be cooled or frozen. While, loading your deep free, please do not exceed the maximum loading capacity mentioned by a level label (if there is any). While loading the VF 500 model deep freezer, keep some space between the racks where you load the products and the upper rack in order to allow air circulation. Make sure that the door of your deep freezer is closed properly and the drainage plug is attached while starting your deep freezer.



When, the door glass of your deep freezer is damaged, do not touch your deep freezer, in case of electric shock risk. Immediately unplug your deep freezer. Contact the authorized technical service after replacing the frozen goods in your deep freezer in another deep freezer or a suitable environment.

Replacing the lighting lamps (only for information purposes)

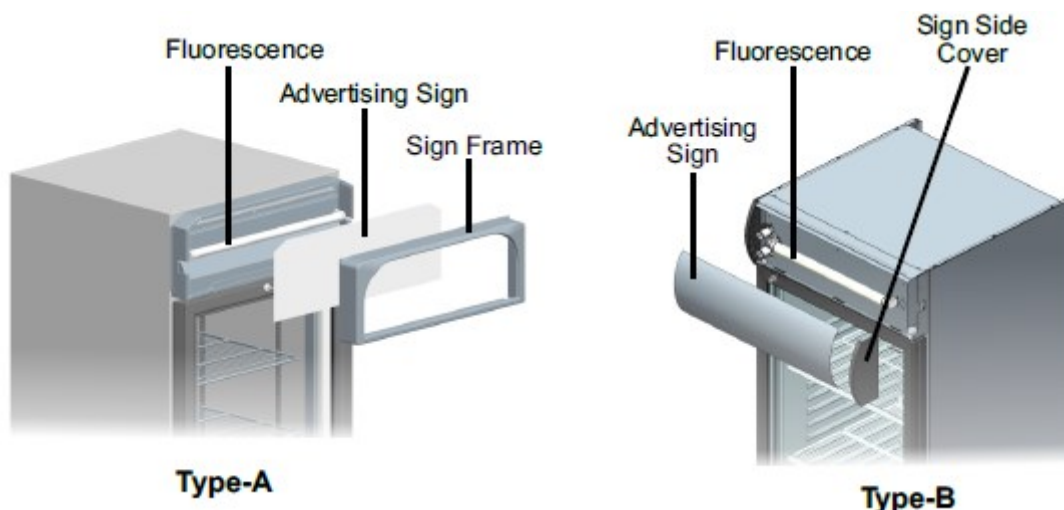


- The lighting lamps of your deep freezer should be replaced by an Authorized Technical Service in order to prevent any negative conditions. The issues mentioned in the following are only for information purposes.
- The deep freeze should be unplugged from the socket and you should make sure that there is not any electricity on the deep freezer, before replacing the lighting lamps.

Replacing the upper sign lighting lamp

The upper sign lighting lamp is assembled to the housing from the upper and lower parts (Type-A) or from the sides (Type-B) by means of screws. These screws should be removed in order to disassemble the upper sign panel. The sign panel should be removed after the panel frame and side covers of the frame are disassembled.

The fluorescent lamp should be replaced with a fluorescent lamp with the same specifications (type, length, power and etc.). When the replacement process is completed, the sign board is reassembled by reversely performing the same process.



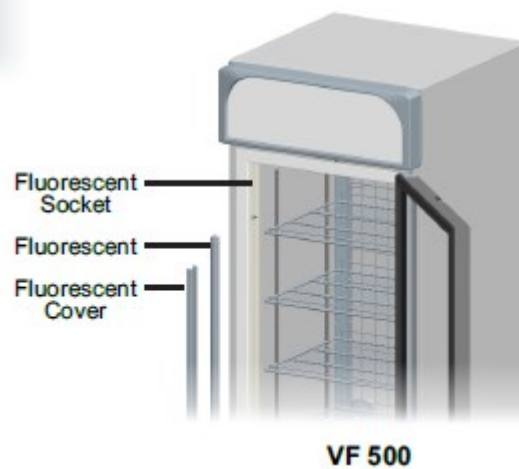
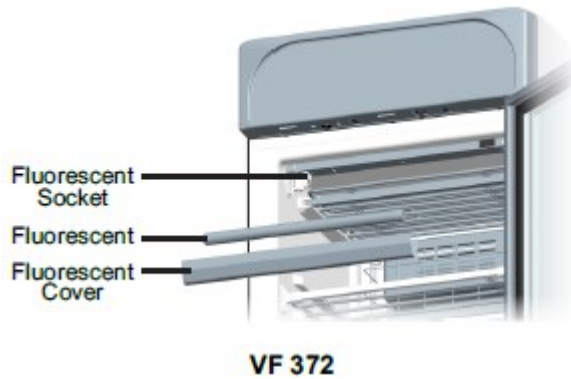
Replacing the interior lighting lamp

The fluorescent cover should be removed from its place.

The fluorescent lamp should be replaced with a fluorescent lamp with the same specifications (type, length, power and etc.). The fluorescent cover should be reassembled after replacing the fluorescent.



F36W/865 SYLVANIA LUXLINE PLUS DAYLIGHT DE LUXE type fluorescents are used in VF 500 type deep freezers. The same fluorescent must be used when it is replaced.







ELECTRONIC CONTROL SYSTEM (OPTIONAL)








Control unit flashes for a few seconds in order to check if all connections are made correctly when the deep freezer is plugged in. This is normal, then the display will indicate current temperature. Set temperature is adjusted to keep your beverages at optimum temperature, please do not attempt to change the settings. Control unit set values are protected with a password.

Front panel of control unit is waterproof (IP65). However do not wash the surface where control unit is placed for safety reasons.



-  Manual defrost
-  Turns on/off the lights of the deep freezer
-  Turns the deep freezer from the day mode to the night mode and the deep freezer turns from the day mode when the night mode button is pressed.
-  Opens the status menu of the thermostat.



-  Indicates that the thermostat is at night mode.
-  Indicates that the compressor is on.
-  Alarm LED (if, this LED is on, a problem should be find.)
-  °C symbol
-  Indicates that the evaporator fan is on.
-  Indicates that the thermostat is at defrost mode.
-  AUX Indicates that the lamps of the deep freezer are on.

CLEANING, MAINTENANCE AND TRANSPORT

Defrost process

Defrost is melting of frost deposit and ice accretion accumulates in your deep freezer. The VF 500 model deep freezers are equipped with an automatic defrost system in order to melt the ice accretion which may occur before the evaporator seen from the interior fan grid.

For the VF 372 model frozen food storage cabinets, the racks may have frost deposits or ice accretions in time. The manual defrost process should be performed because this condition will cause the cooling capacity decreased and excessive power consumption.

Manual defrost process

(Only for the VF 372 type frozen food storage cabinets)

- Replace the frozen goods in your deep freezer in another deep freezer or a suitable environment.
- Unplug your deep freezer.
- Wait for the ice accretion accumulated in the deep freezer to melt.



Do not use any mechanical devices or apply any other methods in order to accelerate the defrost process other than the ones recommended by the manufacturer.

Wipe and dry the inside of the deep freezer by using a sponge or a soft cloth after the defrost process. Plug your deep freezer into the socket and start it. Wait for your deep freezer to reach the operating temperature in order to load your frozen goods in it.

Cleaning



- Always wear a protective gloves for preventing from the injuries during cleaning.
- Do not ever use hot water, alcohol, cleaning powders, electrical heater, steamed cleaning appliances, hard/pointy tools and similar things in order not to damage your deep freezer during cleaning.
- Make your condenser maintained / cleaned by the Authorized technical services at least two times in a year.
- Replace the frozen goods in your deep freezer in another deep freezer or a suitable environment.
- Unplug your deep freezer.
- Wait for the ice accretion accumulated in the deep freezer to melt, if there is any ice accumulation inside your deep freezer or any liquids falls and becomes frozen.
- Only for the VF 500 type deep freezers; discharge the liquid by removing the drainage plug. After, drainage is completed, do not forget to reattach the drainage plug. Otherwise, there may be ice accretion during operation.
- Wipe the interior parts of your deep freezer by using the mixture which you will prepare by adding 2 teaspoons of sodium bicarbonate in 1L of water.
- Dry the interior parts of the product by means of a sponge or a soft cloth.
- You can clean the exterior parts of your deep freezer by using a wet cloth and then dry it by a dry one.

After cleaning, plug your deep freezer into the socket and start it. Wait for your deep freezer to reach the operating temperature in order to load your frozen goods in it.

Holidays/suspending operation

If, you will go to a long-term vacation or you will not use the unit for a long time, please perform the cleaning process. Leave the door of your deep freezer open for preventing scent build-up.



- If, your deep freezer will be kept in a closed environment, it will be advantageous for your deep freezer to cover it by a cotton cloth for increasing its life cycle.
- Do not cover your deep freezer by a plastic cover. Plastic will cause your deep freezer sting and precipitate because it does not let any air in. Corrosion can be observed on your deep freezer as a result of precipitation.

Transport

Please, clean your deep freezer before a transport. During transport, handle the deep freezer in vertical position.



It is mandatory for the deep freezer to be handled in accordance with the norms, procedures and laws determined by the related country, when the deep freezer is out of use, because dilation gas (C-Pentane) is used in insulation of it.

BEFORE CALLING THE SERVICE

If, your deep freezer is not operating:

- The plug of the deep freezer is not inserted properly into the socket.
- There is not electricity at the socket or the fuse is blown.
- Please, check whether there is a power cut or the plug is inserted into the socket.

If, your deep freezer is running more than required and frequent;

- The door of your deep freezer is opened frequently or kept open for a long time.
- The compressor part of your deep freezer is not ventilated, well or the condenser gets dusty. It is required to be cleaned.
- There is not enough space around the deep freezer.

If, your deep freezer does not cool enough;

- The door of your deep freezer is opened frequently or kept open for a long time.
- The air circulation inside your deep freezer is not sufficient, because the maximum loading capacity is exceeded.
- The condenser maintenance / cleaning is not performed.

If, your deep freezer stinks;

- The smelly food materials are kept in open containers.
- The interior part of the deep freezer is not clean enough.

If, your problem is still continuing, after you have checked the above mentioned issues and done what is necessary, please contact our call center with the model and serial number of your deep freezer and tell your problem.

COMPLIANCE STANDARDS

The Deep Freezers in this Operating Manual are manufactured and tested in accordance with the following Standards and Directives:

TS EN ISO 23953-1

TS EN ISO 23953-2

TS EN 60335-2-89

IEC 60335-2-89,

2006/95/EC,

2004/108/EC

Beste aankoper,

Dit apparaat is geproduceerd in milieuvriendelijke moderne fabrieken zonder het milieu schade aan te brengen en het apparaat is nauwkeurige kwaliteitscontroles ondergaan. Bij de productie van dit apparaat is bij alle fases gebruik gemaakt van 'milieuvriendelijke' technologie en er is gekozen voor materiaal en gassen die niet schadelijk zijn voor het natuurlijke leven.

Deze handleiding bevat belangrijke informatie en is zodanig ontworpen dat u uw apparaat optimaal en vele jaren kunt gebruiken.

Lees deze handleiding alstublieft van te voren nauwkeurig door en bewaar de handleiding op een plaats dat u gemakkelijk kunt bereiken.

Symbolen en uitleg

In de gebruikershandleiding komen de onderstaande symbolen voor.



Belangrijke informatie en aanwijzingen



Waarschuwing ter bescherming van uw leven en eigendom



Waarschuwing tegen elektrische spanning

ALGEMENE INFORMATIE



- Wanneer u uw diepvriezer in ontvangst neemt, controleert u dan of het beschadigd is. Sluit een beschadigde vriezer niet aan.
- Volg de onderstaande instructies op voor een veilige en betrouwbare gebruik van het apparaat.
- Het opstellen, de plaatsing, het gebruik, het onderhoud en de reiniging van uw diepvries dient gedaan te worden zoals vermeld staat in de handleiding. Voer geen handeling uit dat niet vermeld staat in de gebruikshandleiding. Door een dergelijke handeling kan uw diepvries beschadigd raken of kan er een storing optreden, in dit geval is de garantie niet geldig.
- De verpakking van uw diepvries is geproduceerd van gerecycled materiaal.
- Bewaar papier en documenten, wellicht heeft u het later nodig.
- Vergeet niet dat de Uv-stralen van de zon, de voedingsmiddelen in diepvriezers met glazen deuren kan beïnvloeden. Plaats uw diepvries (ook als het leeg is) op een geschikte plaats dat niet direct wordt blootgesteld aan zonlicht.
- Dit apparaat is niet geschikt voor gebruik op plaatsen waar een risico bestaat voor brand, explosie of bestraling.
- Plaats u diepvriezer niet op open plaatsen waar water terecht kan komen, indien het tegenovergestelde niet vermeld staat.
- Laat bij plaatsing van uw diepvriezer minstens 10 cm afstand aan de bovenkant, onderkant en de zijden om het te voorzien van luchtcirculatie. Indien u een andere diepvriezer of koelkast ernaast wilt plaatsen, zorgt u er dan voor dat de minimumafstand 30 cm is.
- Reinig de binnenkant van uw diepvriezer alvorens het eerste gebruik ervan.
- Diepvriezers van het model VF 500; u dient ervan zeker te zijn dat de afvoerstop geplaatst is tijdens gebruik van uw diepvriezer. Anders kan er ijsvorming optreden rondom het afvoergat.
- Uw diepvriezer dient ingeschakeld te worden in omgevingen passend bij de klimaatklasse dat vermeld staat op het typeplaatje.
- Dek de ventilatieopeningen (plastische voorrooster, achter rooster) van u diepvriezer absoluut niet af en sluit het ook niet af met een bepaalde voorwerp.
- Kies alleen voor originele onderdelen indien onderdelen van het apparaat vervangen dient te worden.
- Gebruik de bodem, planken, deuren en dergelijke onderdelen van uw diepvriezer niet als hulpmiddel of als trap.
- Gebruik geen elektrisch apparaat in uw diepvriezer.
- Gebruik geen mechanisch apparaat of andere manieren dan aanbevolen door de fabrikant om de Defrost handeling te versnellen.
- Schrijdt de maximale vulcapaciteit absoluut niet over dat vermeld staat op het etiket indien aanwezig, bij het vullen van uw diepvriezer.



- U dient uw diepvriezer uitsluitend aan te sluiten via een volgens de voorschriften aangebracht, randgeaard stopcontact op een passende wisselstroom en aansluitspanning.
- De aansluitspanning en de stroomsoort van de diepvriezer staan vermeld op het typeplaatje
- Alvorens het apparaat aan te sluiten, laat door de servicedienst of door een bevoegde elektricien controleren of de randgeaard stopcontact geschikt is voor uw apparaat.
- De reparatie van elektronisch apparaat dient uitsluitend uitgevoerd te worden door de hiertoe bevoegde personen. Het aansluiten van apparaat en het uitvoeren van reparaties zonder kennis kan gevaarlijk zijn voor de gebruiker. Voor alle vragen en problemen omtrent het apparaat kunt u contact op nemen met de bevoegde servicedienst. Knutsel niet met het apparaat en laat er niet mee knutselen, zonder de bevoegde servicedienst hiervan in kennis te stellen.
- Indien er een probleem optreedt met de aansluitkabel of met de stekker, dient een vervanging uitgevoerd te worden door de fabrikant of de servicedienst of eventueel door een bevoegde monteur om gevaarlijke situaties te vermijden.
- Gebruik geen verlengsnoer of stekkerdoos.
- U dient er zeker van te zijn dat de stopcontact waar u de stekker van de diepvriezer mee gaat aansluiten niet beschadigd is.

- Steek geen stekker waarvan de kabel beschadigd, open of verouderd is in de stopcontact.
- Indien de elektrische kabel stekker en de stopcontact gemakkelijk bereikbaar zijn, zal dit in een gevaarlijke situatie in uw voordeel zijn.
- Voer absoluut geen onderhoud of reparatie uit als de stekker van de diepvriezer in de stopcontact is. Indien er sprake is van een storing of indien onderhoud of reparatie uitgevoerd gaat worden, zorg er dan voor dat de elektrische aansluiting geannuleerd wordt door de stekker uit de stopcontact te trekken of de zekering uit te schakelen. Anders kan het tot de dood of ernstige verwondingen leiden.
- Trek de elektrische stekker uit de stopcontact of schakel de zekering uit indien u de diepvriezer wilt schoonmaken.
- Indien u de stekker van uw diepvriezer uit de stopcontact wilt trekken, trek dan direct de stekker en niet de kabel.
- Tijdens het schoonmaken van uw diepvriezer en de omgeving ervan; was het niet met waterkanonnen en waterslangen, gebruik in plaats daarvan een vochtige doek. Anders kan er water terecht komen in de elektrische uitrusting; dit kan leiden tot een elektrische schok en kan brandgevaar opleveren.
- Gebruik absoluut geen warm water, alcohol, reinigingspoeder, elektrische verwarming, stoomreinigers, harde/scherpe voorwerpen en soortgelijke producten om beschadiging van uw diepvriezer tijdens het schoonmaken ervan te voorkomen.
- Indien de glazen deur van uw diepvriezer is beschadigd, raak dan uw diepvriezer absoluut niet aan omdat dit een elektrische schok kan veroorzaken. Trek de stekker in dit geval onmiddellijk uit de stopcontact. De ingevroren voedsel in uw diepvriezer kunt u overplaatsen naar een andere werkende diepvriezer of naar een andere omgeving waar het niet zal bederven, neem daarna contact op de servicedienst.

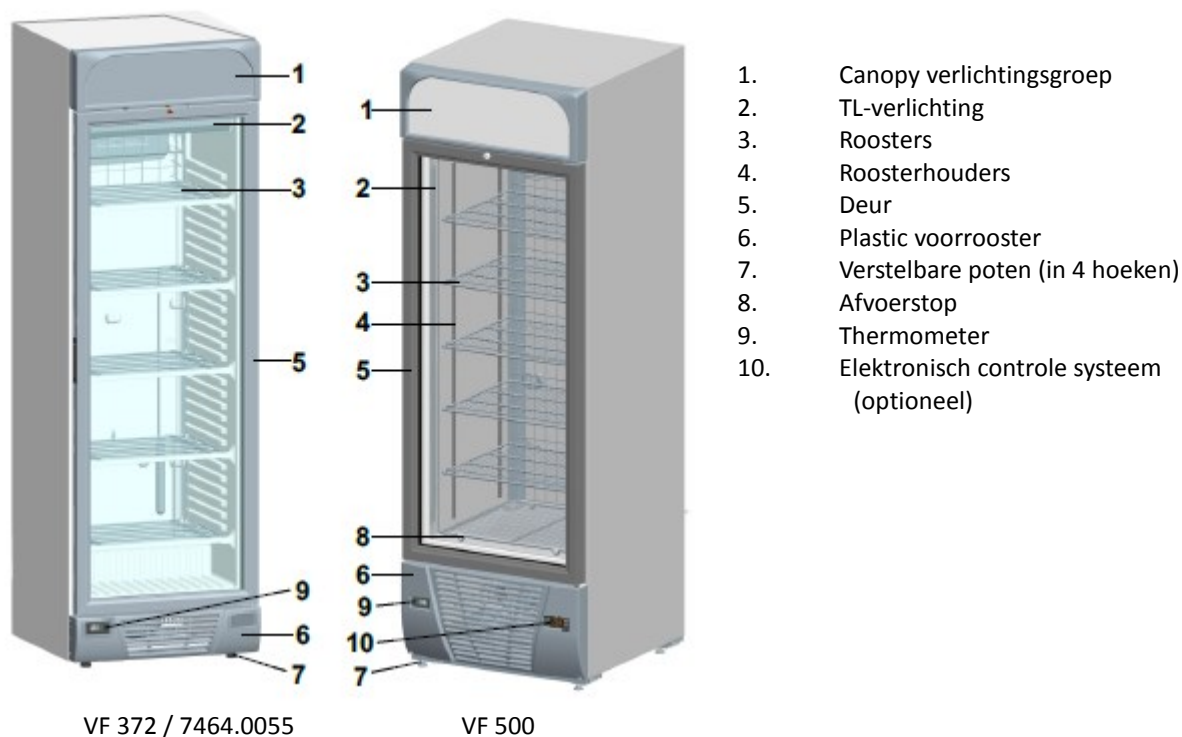


- Dit apparaat is niet geschikt voor gebruik door personen waarvan het lichamelijk, zintuiglijk of geestelijk vermogen slecht is of door personen die onvoldoende kennis en ervaring hebben (inclusief kinderen) zonder aanwezigheid van een persoon die toezicht houdt en controleert en verantwoordelijk is voor hun veiligheid tijdens het gebruik van het apparaat of zonder aanwezigheid van een persoon die de nodige informatie verschaft.
- Verwijder de externe beschermingsafdekkingen niet die niet beschreven staan in deze handleiding.
- Raak de metalen inwendige onderdelen van uw apparaat dat in werking is niet aan met natte handen.
- Het verpakkingsmateriaal kan gevaarlijk zijn voor kinderen, bewaar het daarom op een plaats waar ze het absoluut niet kunnen bereiken.
- Bewaar absoluut geen explosieven en producten in uw diepvriezer die brandbare gassen bevatten.

BELANGRIJKE INFORMATIE VOOR EEN EFFICIENT GEBRUIK EN VOOR ENERGIEBESPARING

- De diepvriezer moet worden bediend in bedrijfsomstandigheden die passen bij de klasse die op het typeplaatje staat vermeld.
- Plaats uw diepvriezer op een locatie die ver verwijderd is van de warmtebronnen.
- Plaats uw diepvriezer op een locatie waar deze niet aan direct zonlicht zal worden blootgesteld.
- Laat de deur van uw diepvriezer niet lang openstaan.
- Houd tijdens het plaatsen van uw diepvriezer minimum 10 cm ruimte vrij van de bovenkant, achterkant en zijkanten van uw diepvriezer. Als u een andere diepvriezer of een koelkast ernaast plaatst, zorg er dan voor dat de ruimte tussen beide units minimaal 30 cm is. Anders neemt de prestatie van het product af en verbruikt het product meer stroom, omdat het de warmtewisseling niet goed kan uitvoeren.
- Laad uw diepvriezer en overschrijd niet de maximale laadcapaciteit die op het etiket vermeld staat (indien aanwezig) om ervoor te zorgen dat luchtcirculatie mogelijk is.
- Dek nooit de ventilatieopeningen (het plastic rooster aan de voorkant, achterrooster) van uw diepvriezer af en sluit ze niet.
- Voor een productief gebruik van uw diepvriezer, moet uw condensor ten minste twee keer per jaar door de bevoegde technische dienst worden onderhouden / gereinigd.

OMSCHRIJVING VAN UW DIEPVRIEZER



| Technische specificaties | | VF 372 / 7464.0055 | VF 500 |
|-------------------------------|------------|---------------------------------------|--------------|
| Werkingstemperatuur | °C | -18 / -24 | -18 / -25 |
| Energieverbruik | kWh/24h | Kijk alstublieft naar het typeplaatje | |
| Vermogen | W | | |
| Voltage / frequentie | V/hz | | |
| Buitenafmetingen | HxBxD (mm) | | |
| Afmetingen binnenkant | HxBxD (mm) | 1571x521x465 | 1573x538x573 |
| Bruto inhoud | Lt | 372 | 470 |
| Netto inhoud | Lt | 334 | 363 |
| Maximaal gewicht schappen | Kg | 40 | 45 |
| Maximale omgevingstemperatuur | °C | 38 | |
| Klimaatklasse | | C-condition | |



- Het typeplaatje bevindt zich aan de binnenzijde van uw vriezer.
- Kijk naar de achterkant van de handleiding voor een voorbeeld typeplaatje.
- De afbeeldingen die gebruikt zijn in de handleiding lijken zoveel mogelijk op het apparaat en kunnen afhankelijk van het model en de opties verschillend zijn.

INSTALLATIE

Het opstellen, de plaatsing, het gebruik, het onderhoud en de reiniging van uw diepvries dient gedaan te worden zoals vermeld staat in de handleiding. Voer geen handeling uit dat niet vermeld staat in de gebruikshandleiding. Door een dergelijke handeling kan uw diepvries beschadigd raken of kan er een storing optreden, in dit geval is de garantie niet geldig.

Plaatsbepaling

- Voor een probleemloos en efficiënt gebruik van uw diepvriezer is het van belang dat u de onderstaande omgevingsomstandigheden creëert.
- De omgeving waarin uw diepvriezer geplaatst wordt, dient passend te zijn bij de klimaatklasse vermeld op het typeplaatje.
- Vergeet niet dat de Uv-stralen van de zon, de voedingsmiddelen in diepvriezers met glazen deuren kan beïnvloeden. Plaats uw diepvries (ook als het leeg is) op een geschikte plaats dat niet direct wordt blootgesteld aan zonlicht.
- Dit apparaat is niet geschikt voor gebruik op plaatsen waar een risico bestaat voor brand, explosie of bestraling.
- Plaats u diepvriezer niet op open plaatsen waar water terecht kan komen, indien het tegenovergestelde niet vermeld staat.
- Laat bij plaatsing van uw diepvriezer minstens 10 cm afstand aan de bovenkant, onderkant en de zijden om het te voorzien van luchtcirculatie. Indien u een andere diepvriezer of koelkast ernaast wilt plaatsen, zorgt u er dan voor dat de minimumafstand 30 cm is.
- Dek de ventilatieopeningen (plastische voorrooster, achter rooster) van u diepvriezer absoluut niet af en sluit het ook niet af met een bepaalde voorwerp.

Installatie procedure

Verwijder al het verpakkingsmateriaal en de houten pallets alvorens de diepvriezer te plaatsen.

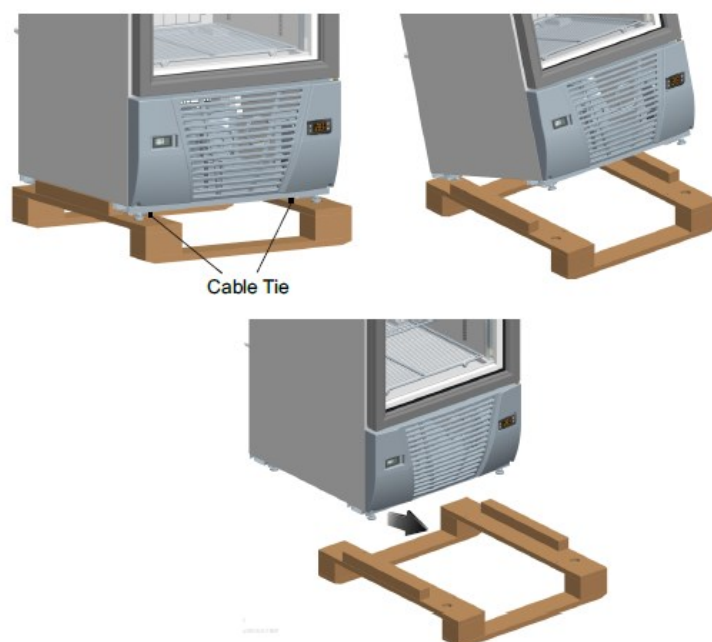
Verwijdering van de houten pallets



Neem de zwaarte van uw diepvriezer in acht bij de verwijdering van de houten pallets.

De diepvriezer wordt geleverd op een houten pallet, vastgebonden met 4 kabelbinders. Lees onderstaande instructies op alvorens het apparaat te plaatsen op de plaats van gebruik. De kabelbinders die de diepvriezer en de houten pallets van de voor- en achterzijde vastbinden, dienen met behulp van een scherpe voorwerp gesneden en verwijderd te worden.

De achterzijde van de diepvriezer dient naar achteren gekanteld te worden, daarna dient de pallet van onderen verwijderd te worden. De diepvriezer dient op de ondergrond gelegd te worden. Indien de ondergrond niet vlak is, dient het apparaat met een waterpas gesteld te worden.



Diepvriezer met een waterpas stellen



Voor een goede werking van de diepvriezer dient de ondergrond vlak te zijn en dient de diepvriezer met een waterpas gesteld te worden.

Om de evenwicht van de diepvriezer in te stellen, dient u de voor- en achterkant naar voren en achteren licht om te duwen en de voet schroeven los te draaien naar de stand waarin u het wilt. Plaats de diepvriezer op de ondergrond en controleer met behulp van een waterpas of het correct staat. Indien er een scheefstand is dient dit te verholpen worden door de voet schroeven te verstellen.

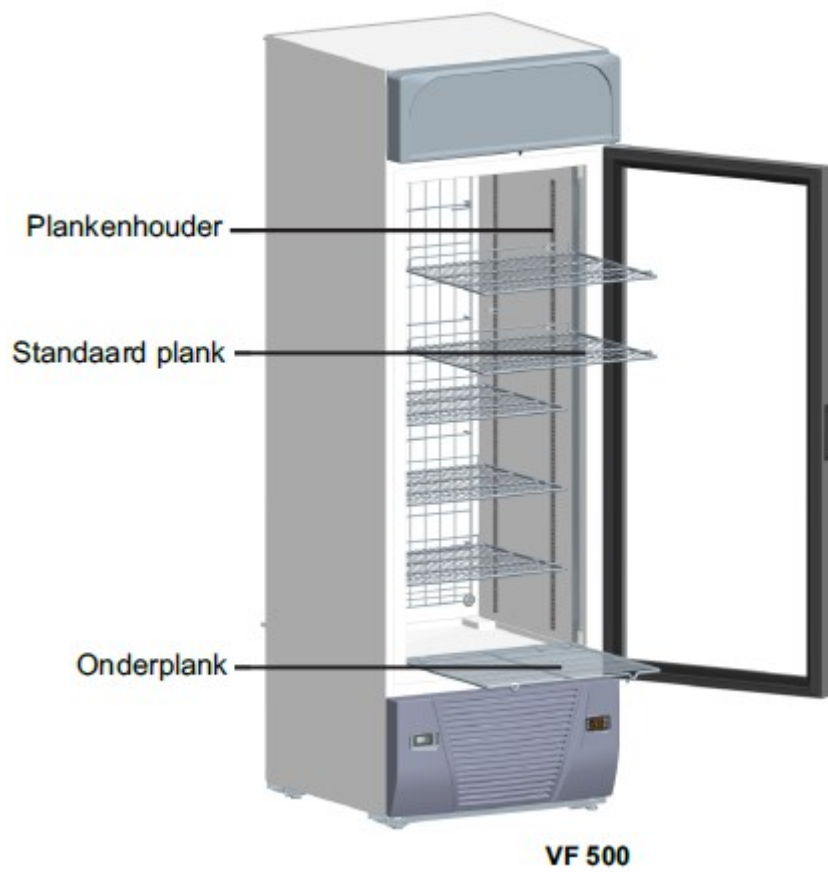
Het plaatsen van de roosters

Dit geldt alleen voor de diepvriezers van het model VF 500!

In uw diepvriezer zijn er 5 stuks standaard roosters, 1 stuk onder rooster, in totaal 6 roosters en 20 stuks roosterhouders aanwezig. Om de planken te plaatsen, dienen de plankenhouders geplaatst te worden door gebruik te maken van de nummers op de planken stroken hierbij dient rekening gehouden te worden met de omvang van de producten die op de planken gelegd zullen worden. Voor het gemakkelijk plaatsen van de plankenhouders kunt u de twee uiteinden met een tang vastpakken en vervolgens plaatsen. Plaats als eerste de onder rooster op de verkoelende ondergrond. Houdt vervolgens de eerste standaard plank die boven de onder rooster geplaatst gaat worden, licht gebogen zodat u het op de speld van de plankenhouders kunt plaatsen. Vervolgens voert u dezelfde handeling uit om de andere standaard planken te plaatsen.



Belast de ondergrond van uw diepvriezer absoluut niet. U kunt de onder rooster belasten.



HET INSCHAKELEN VAN UW DIEPVRIEZER



Na ieder vervoer van uw diepvriezer dient het alvorens in werking gesteld te worden minstens 2 uur lang stilstand op de normale werking positie te laten staan.

Steek de stekker in een geschikte stopcontact zoals vermeld om uw diepvries in werking te stellen. Er is daarnaast geen aan-uit schakelaar aanwezig op uw diepvriezer. Uw diepvriezer begint te werken. De lampen in uw diepvriezer kunt u door middel van de schakelaar onder de canopy aan- en uitschakelen. (optioneel) De inwendige temperatuurwaarde van uw diepvriezer is in de fabriek zodanig ingesteld dat het uw producten onder alle omstandigheden niet laat verderven. Voordat u uw diepvriezer inlaadt, dient het eerst 3 uur lang met een lege inhoud ingeschakeld te zijn. Laat producten niet koelen of invriezen die in uw diepvriezer verboden zijn om te koelen of in te vriezen. Schrijdt de maximale vulcapaciteit absoluut niet over dat vermeldt staat op het etiket indien aanwezig, bij het inladen van uw diepvriezer. Bij het inladen van uw diepvriezer van het model VF 500 dient u een leegte te laten tussen de producten die u heeft ingeladen en de plank erboven zodat luchtcirculatie kan plaatsvinden. Wees er zeker van dat de deur van uw diepvriezer dicht is en dat de afvoerstop aanwezig is, als de diepvriezer in werking is.



Indien de glazen deur van uw diepvriezer is beschadigd, raak dan uw diepvriezer absoluut niet aan omdat dit een elektrische schok kan veroorzaken. Trek de stekker in dit geval onmiddellijk uit de stopcontact. De ingevroren voedsel in uw diepvriezer kunt u overplaatsen naar een andere werkende diepvriezer of naar een andere omgeving waar het niet zal bederven, neem daarna contact op de servicedienst.

Vervanging van de verlichtingslampen (alleen ter informatie)

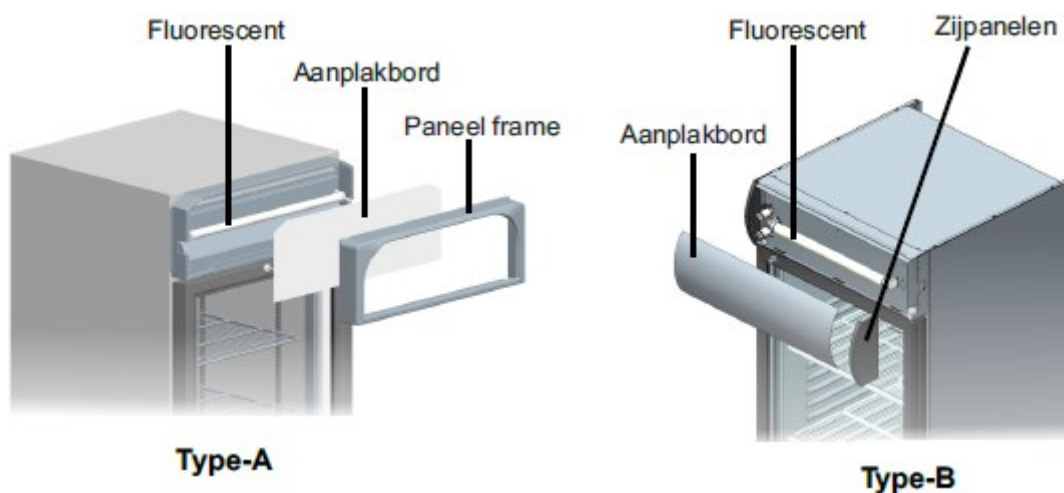


- De verlichtingslampen van uw diepvriezer dienen uitsluitend vervangen te worden door de bevoegde servicedienst om nadelige gevolgen te voorkomen. De onderstaande uitleg is uitsluitend ter informatie.
- Voordat de verlichtingslamp vervangt wordt, dient de stekker altijd uit de stopcontact gehaald te worden en er dient zeker van te zijn dat er geen elektrische stroom aanwezig is in de diepvriezer.

Vervanging van de lamp van het aanplakbord boven

Het aanplakbord boven is met schroeven gemonteerd aan de boven- en onderkant van het apparaat (Type-A) of aan de zijkanten van het apparaat (Type-B). Om het aanplakbord boven te demonteren, dienen deze schroeven eruit gehaald te worden. Het aanplakbord dient eruit gehaald te worden nadat de paneelframe of de zijpanelen verwijderd is.

De fluorescentielamp dient vervangen te worden door een fluorescentielamp met dezelfde eigenschappen (type, afmeting, vermogen etc.) Nadat de vervanging voltooid is, dient dezelfde handeling in omgekeerde volgorde uitgevoerd te worden, het aanplakbord dient op deze manier gemonteerd te worden.



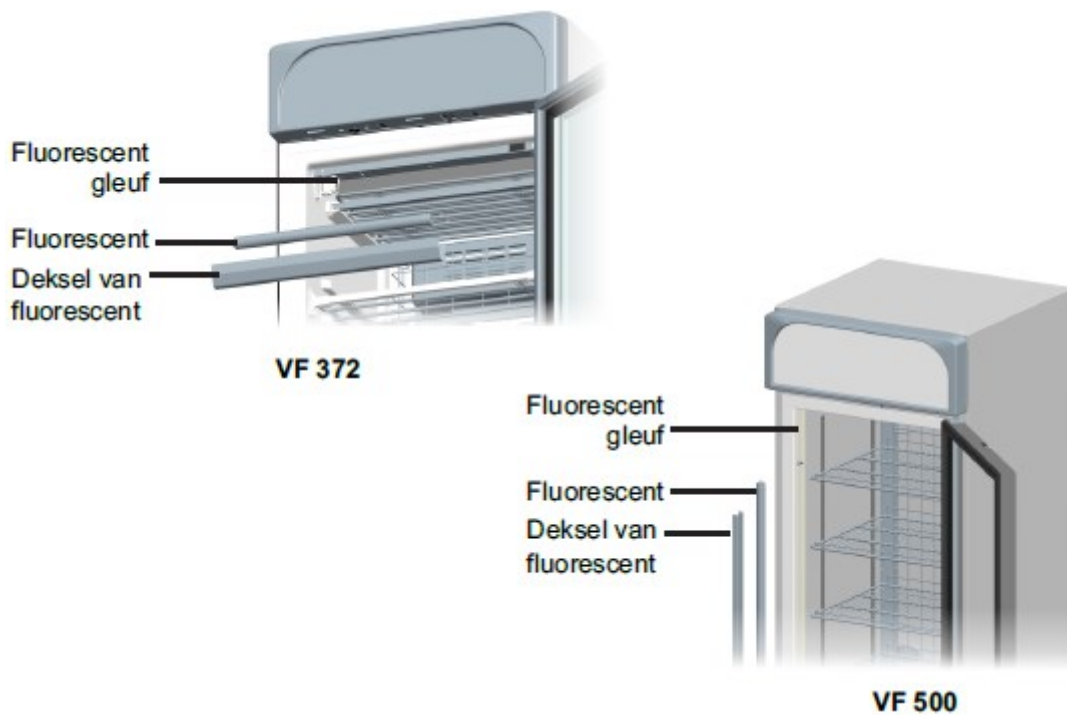
Vervanging van de binnenverlichtingslamp

Het deksel van de fluorescent dient eruit gehaald te worden.

De fluorescentielamp dient vervangen te worden door een fluorescentielamp met dezelfde eigenschappen (type, afmeting, vermogen etc.) Nadat de vervanging voltooid is, dient het deksel van de fluorescent opnieuw teruggeplaatst te worden



Bij de diepvriezers van het type VF 500 is gebruik gemaakt van **F36W/865 SYLVANIA LUXLINE PLUS DAYLIGHT DE LUXE** type fluorescent. Bij vervanging dient altijd dezelfde type fluorescent gebruikt te worden.







ELEKTRONISCH CONTROLESYSTEEM (OPTIONEEL)








Als uw diepvriezer wordt aangesloten aan de stopcontact, zal het controlemechanisme een aantal seconden branden en vervolgens uitgaan, dit ter controle van de werking alle aanwezige verbindingen. Deze situatie is normaal, daarna zal de huidige temperatuurwaarde op het scherm verschijnen. De ingestelde temperatuur wordt zodanig bijgesteld dat het uw ingevroren voedsel op de ideale temperatuur behoudt, probeer daarom de instellingen niet te wijzigen. Het controlesysteem beschermt de ingestelde temperaturen door middel van een wachtwoord.

Het voorpaneel van het controlesysteem is beschermd tegen water (IP65). Was de oppervlakte van het controlesysteem voor uw veiligheid toch niet door er water op te gieten.



-  Handmatig ontdooien
-  Aan- en uitschakelen van de verlichting van de kast
-  Schakelt de kast om van de dag modus naar de nachtmodus, indien er op wordt gedrukt bij de nachtmodus schakelt het om naar de dag modus
-  De thermostaat statusmenu wordt geopend



-  De thermostaat staat op de nachtmodus.
-  De compressor is in werking
-  Alarm LED (Indien dit LED brandt, moet u nagaan wat er aan de hand is.)
-  °C symbool
-  De verkoel ventilator is in werking
-  De thermostaat staat op de ontdooistand
-  De verlichting van de kast staat aan

REINIGING, ONDERHOUD EN TRANSPORT

Defrost (Ontdooiing) Handeling

Defrost, is het ontdooiproces van het rijp en ijs dat met de tijd in uw apparaat is ontstaan.

Diepvriezers van het model VF 500 bevatten een automatische ontdooisysteem, die ijsvorming van de verdampers tegengaat dat te zien is in de interne ventilator rooster. Op de planken van de bewaarkasten van het model VF 372 kan met de tijd rijp of ijs ontstaan. Deze situatie vermindert de koelcapaciteit en leidt tot een toename van het energieverbruik, daarom dient de handmatige ontdooiproces ingeschakeld te worden.

Handmatige Defrost handeling

(Alleen bij bewaarkasten van het type VF 372)

- Verplaats het ingevroren voedsel in uw diepvriezer naar een andere werkende diepvriezer of naar een omgeving waarin het niet zal bederven.
- Haal de stekker van uw diepvriezer uit de stopcontact.
- Wacht totdat het rijp/ijs in uw diepvriezer is ontdooid.



Gebruik geen mechanisch apparaat of andere manieren dan aanbevolen door de fabrikant om de Defrost handeling te versnellen.

Droog de binnenkant van uw diepvriezer met behulp van een spons of een zachte doek na voltooiing van de Defrost handeling. Stel uw diepvriezer in werking door de stekker opnieuw in de stopcontact te doen. Wacht totdat uw diepvriezer de werkingstemperatuur bereikt heeft alvorens uw ingevroren voedsel opnieuw in te laden.

Reiniging



Trek veiligheidshandschoenen aan voordat u begint met reinigen om verwondingen te voorkomen. Gebruik absoluut geen warm water, alcohol, reinigingspoeder, elektrische verwarming, stoomreinigers, harde/scherpe voorwerpen en soortgelijke producten om beschadiging van uw diepvriezer tijdens het schoonmaken ervan te voorkomen.

U dient de condensator onderhoud/reiniging minimaal tweemaal per jaar uit te laten voeren door de bevoegde servicedienst.

- Verplaats het ingevroren voedsel in uw diepvriezer naar een andere werkende diepvriezer of naar een omgeving waarin het niet zal bederven
- Haal de stekker van uw diepvriezer uit de stopcontact.
- Indien er rijp/ijs in uw vriezer is ontstaan of indien er tijdens het gebruik een vloeistof is gemorst en deze ingevroren is, wacht dan totdat dit ontdooid is.
- Alleen bij diepvriezers van het type VF 500; zorg ervoor dat het vloeistof eruit kan door de afvoerstop eruit te halen. Vergeet niet de afvoerstop terug te zetten na afvoer van het vloeistof. Anders kan er ijsvorming optreden tijdens de werking van het apparaat.
- Veeg de binnenkant van uw diepvriezer met een zelfgemaakte mengsel met 1L water en 2 theelepels zuiveringszout.
- Droog de binnenkant van het apparaat met behulp van een spons of een zachte doek.
- De buitenkant van uw diepvriezer kunt u met een vochtige doek afvegen en vervolgens met een droge doek drogen. Steek de stekker van uw diepvriezer opnieuw in de stopcontact na de reiniging uitgevoerd te hebben.

Wacht totdat uw diepvriezer de werkingstemperatuur bereikt heeft alvorens u het ingevroren voedsel opnieuw inlaadt.

Vakanties / Tijdelijk niet gebruiken

Voer de reinigingshandeling uit indien u op voor een lange tijd op vakantie gaat of indien u het tijdelijk niet gaat gebruiken. Om nare geurtjes in uw diepvriezer te voorkomen, dient u de deur open te laten.



- Indien uw diepvriezer in een gesloten omgeving zal staan, wordt het voor een langere gebruiksduur aanbevolen om het met een katoenen doek af te dekken.
- Dek uw diepvriezer niet af met een plastic hoes. Plastic laat lucht niet door, hierdoor zal uw diepvriezer nare geurtjes afgeven en vochtig worden. Door de vochtigheid kan er roest op uw diepvriezer ontstaan.

Transport

Maak uw diepvriezer schoon voor een transport. Tijdens transport de diepvriezer in verticale positie hanteren.



In de isolatie van de diepvriezer bevindt expansie gas (C-Pentane), bij het in buiten werking stellen van het apparaat dient er gehandeld te worden volgens de regels en wetgeving van het land waarin men zich bevindt.

ALVORENS DE SERVICEDIENST IN TE SCHAKELEN

Indien uw diepvriezer niet werkt;

- De stekker is niet goed geplaatst in de stopcontact.
- Er is geen elektriciteit in de stopcontact of de zekering is uitgeschakeld.
- Controleer of er stroomuitval is en of de stekker in de stopcontact is.

Indien uw diepvriezer overtollig en veelvuldig werkt;

- De deur wordt regelmatig geopend of het staat gedurende een lange tijd open.
- De luchtcirculatie in de compressor is niet optimaal of er is stof of de condensator. Het dient schoongemaakt te worden.
- Er is niet voldoende ruimte gelaten rondom de diepvriezer.

Indien uw diepvriezer niet voldoende koelt;

- De deur wordt regelmatig geopend of het staat gedurende een lange tijd open.
- De luchtcirculatie in uw diepvriezer is niet optimaal omdat de vulcapaciteit is overschreden.
- De onderhoud/reiniging van de condensator is niet uitgevoerd.

Indien uw diepvriezer nare geurtjes afgeeft;

- Voedingsmiddelen met een sterke geur staan in niet afgesloten bakjes.
- De binnenkant van de diepvriezer is niet schoon genoeg.

Als uw probleem nog steeds aanhoudt nadat u de bovengenoemde problemen hebt gecontroleerd en gedaan wat nodig is, neemt u contact op met onze service dienst met het model- en serienummer van uw diepvriezer en vertelt u uw probleem.

COMPLIANCE NORMEN

De diepvriezers vermeld in de gebruikershandleiding; worden geproduceerd en getest conform:

TS EN ISO 23953-1

TS EN ISO 23953-2

TS EN 60335-2-89

IEC 60335-2-89 Standaarden,

2006/95/EC

2004/108/EC Richtlijnen

Lieber Kunde/in,

Dieses Produkt wurde unter strenger Kontrolle ohne Beschädigung der Natur in umweltfreundlichen modernen Anlagen hergestellt. In allen Herstellungsprozessen dieses Produktes wurden "umweltfreundliche" Technologien angewendet und umweltschonende Materialien-Produkte bevorzugt.

Damit Sie von ihrem Gerät einen höchstproduktiven Nutzen ziehen und von ihr langjährlich profitieren, wurde für Sie diese Gebrauchsanleitung mit wichtigen Informationen vorbereitet.

Lesen Sie zuerst diese Gebrauchsanleitung aufmerksam durch und bewahren Sie sie als eine Nachschlagquelle an einem geeigneten Ort auf.

Symbole und Erklärungen

Die Gebrauchsanleitung enthält folgende Symbole.



Wichtige Informationen und Tipps



Warnung hinsichtlich Leben Sicherheit und Sachschaden



Warnung gegen elektrische Spannung

ALLGEMEINE WARNUNGEN



- Kontrollieren Sie Ihre Kühltruhe beim Erwerb im Hinblick auf Schaden. Beschädigte Kühltruhen nicht einschalten.
- Für eine sichere und gefahrlose Anwendung sollten folgende Regeln beachtet werden.
- Die Einrichtung, Aufstellung, Anwendung, Pflege und Reinigung der Kühltruhe sollte laut Gebrauchsanweisung ausgeführt werden. Eine Ausführung die der Gebrauchsanleitung nicht entspricht, sollte gemieden werden. Eine Störung/Schaden aufgrund solch eines Gebrauches fällt außerhalb der Garantiegewähr.
- Die Verpackung Ihrer Kühltruhe ist aus umweltfreundlichem Material hergestellt.
- Bewahren Sie Ihre Unterlagen und Dokumente für den späteren Gebrauch auf.
- Beachten Sie bitte, dass Lebensmittel die sich in Kühltruhen mit gläsernen Scheiben befinden von den UV Sonnenstrahlen beeinträchtigt werden. Bewahren Sie Ihre Kühltruhe (auch im leeren Zustand) an einem sonnengeschützten Ort auf.
- Dieses Produkt ist für den Gebrauch in Bereichen die der Brand-, Explosions- oder Radioaktivitätsgefahr ausgesetzt sind nicht geeignet.
- Insofern nicht gegensätzlich ausgedrückt wird Ihre Kühltruhe nicht in wassereintritts-gefährdete Standorte aufstellen.
- Achten Sie beim Aufstellen der Kühltruhe darauf, dass sich für die Luftzirkulation oben, hinten und an den Seiten jeweils ein ausreichender Abstand von 10 cm befindet. Wenn Sie eine andere Kühltruhe oder einen Schrank anbringen wollen, muss der Abstand mindestens 30cm betragen.
- Reinigen Sie Ihre Kühltruhe vor dem ersten Gebrauch.
- Bei Kühltruhen mit dem Typ VF 500; vergewissern Sie sich beim Betrieb, ob der Drainierungsverschluß aufgesetzt ist. Andernfalls kann sich an der Drainierungsöffnung Eis entwickeln.
- Der Betrieb Ihrer Kühltruhe muss in einer, der im Typenschild angeführten Klasse adäquaten Umgebung stattfinden.
- Bedecken oder versperren Sie auf keinen Fall die Lüftungsöffnungen (Kunststoffgitter vorn, Gitter hinten) Ihrer Kühltruhe mit irgendwelchen Gegenständen.
- Bevorzugen Sie beim Wechsel der Teile nur originale Ersatzteile.
- Gebrauchen Sie den Untergrund, die Tür oder sonstige ähnliche Teile nie als Abstütze oder Leiterstufe.
- Verwenden Sie in der Kühltruhe keine elektrischen Geräte.
- Verwenden Sie für die Beschleunigung des Tiefkühlvorgangs keine mechanischen Geräte oder andere Methoden die in der Gebrauchsanleitung nicht ausdrücklich erwähnt werden.
- Überschreiten Sie beim Beladen der Kühltruhe auf keinen Fall die auf der Grenzetikette angegebene Höchstbelastungsmenge.



- Schließen Sie Ihre Kühltruhe an eine vorschriftsmäßig angebrachte, der Betriebsspannung und Frequenz angemessene Steckdose an.
- Die Betriebsspannung und Frequenz Ihrer Kühltruhe ist auf dem Typenschild des Geräts angegeben.
- Bevor Sie das Gerät einschalten, bitte die geerdete Steckdose von einem Service oder einem anderen Fachelektriker im Hinblick auf die Eignung für den Kühlbetrieb kontrollieren lassen.
- Die Reparaturen der elektrischen Geräte sollte nur von fachlichem Personal durchgeführt werden. Das Aufstellen und der Anschluss durch unberechtigte Personen kann gefährlich sein. Richten Sie all Ihre Fragen oder Probleme an den Kundenservice. Führen oder erstatten Sie keinen Eingriff auf das Produkt ohne den Kundenservice davon in Kenntnis zu setzen.
- Zur Vermeidung einer Gefahr sollten beschädigte elektrische Kabel oder Stecker vom Hersteller/dessen Serviceagentur oder vom gleichwertigen Personal ersetzt werden.
- Verwenden Sie keine verlängerte Kabel oder Mehrfachsteckdosen.
- Vergewissern Sie sich, dass die Steckdose an der Sie den Stecker Ihrer Kühltruhe anschließen, einwandfrei ist.
- Stecker mit beschädigten, gerissenen oder alten Kabeln nicht an die Steckdose anschließen.
- In gefährlichen Situationen kann der leichte Zugang zum elektrischen Kabelstecker und der Steckdose hilfreich sein.

- Bei Wartung und Reparatur der Kühltruhe den Stecker niemals in der Steckdose lassen. Während einer Störung, einer Wartung oder Reinigung die elektrische Verbindung der Kühltruhe durch Abschalten der Sicherung oder Abziehen des Steckers von der Steckdose abrechen. Andernfalls können ernsthafte Verletzungen oder tödliche Gefahren entstehen.
- w Beim Reinigen den elektrischen Stecker der Kühltruhe von der Steckdose herausziehen oder angeschlossene Sicherung abschalten.
- w Den Stecker beim Herausziehen immer am Kopf fassen und auf diese Weise abziehen. Niemals an der Kabel ziehen.
- w Reinigung der Kühltruhe; benutzen Sie beim Säubern kein Wasserstrahl oder Schlauch sondern, feuchte Lappen. Andernfalls kann das Wasser, dass in die elektrischen Teile eingedrungen ist einen elektrischen Anschlag verursachen und eine Brandgefahr auslösen.
- w Damit Sie Ihrer Kühltruhe beim Reinigen keinen Schaden zufügen, sollten Sie folgende Produkte meiden: Warmes Wasser, Alkohol, Reinigungspulver, elektrische Heizer, Dampfreinigungszubehöre, harte/scharfe Werkzeuge oder ähnliche Gegenstände.
- w Bei einer Beschädigung der Türscheibe des Kühlers das Gerät keinesfalls berühren; Gefahr eines elektrischen Anschlags. Den Stecker sofort von der Steckdose abziehen. Um Lebensmittel bedarfsgerecht aufzubewahren, verladen Sie bitte die in der Kühltruhe befindlichen Produkte in einen anderen Kühler oder in einen geeigneten Platz und rufen den Service an.

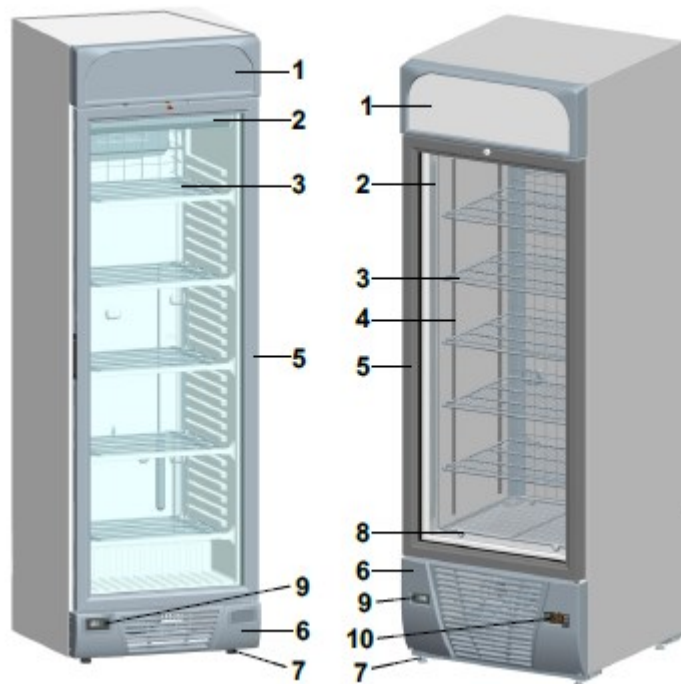


- Solange sich das Gerät im Hinblick einer sicheren Anwendung nicht unter Aufsicht von verantwortlichem Personal befindet oder vom Fachmann ausdrücklich darüber informiert wird, ist dieses Produkt für den Gebrauch von Personen nicht konstruiert die körperlich, gefühlsmäßig oder geistig verminderte Fähigkeiten besitzen oder keine Informationen oder Erfahrungen vorweisen können.
- Aussenschutzklappen dürfen nicht ausgebaut werden, es sei denn sie werden in der Gebrauchsanweisung in dieser Hinsicht erwähnt.
- Während des Betriebs dürfen die metallischen Innenteile des Produktes nicht mit nassen Händen angefasst werden.
- Das Verpackungsmaterial kann für Kinder gefährlich sein und sollte daher in Orten aufbewahrt werden, die für Kinder unzulänglich sind.
- Auf keinen Fall gasenthaltene Produkte und explosive Stoffe in der Kühltruhe aufbewahren.

HINWEISE FÜR EINE PRODUKTIVE UND ÖKONOMISCHE ANWENDUNG

- Betreiben Sie Ihre Kühltruhe in einer, der im Typenschild angeführten Klasse adäquaten, Umgebung.
- Stellen Sie Ihre Kühltruhe fern von jeglichen Wärmequellen auf.
- Bewahren Sie Ihre Kühltruhe an einen sonnenstrahlgeschütztem Ort auf.
- Lassen die Türen der Kühltruhe nicht lange offen.
- Achten Sie beim Aufstellen der Kühltruhe darauf, dass sich jeweils hinten und an den Seiten ein ausreichender Abstand von 10 cm befindet. Falls Sie eine andere Kühltruhe oder einen anderen Schrank hinstellen wollen, muss der Abstand mindestens 30cm betragen. Gegebenenfalls wird wegen fehlender qualitativer Wärmezirkulation die Produktleistung reduziert, was eine Steigerung des Energieverbrauchs mit sich bringt.
- Beladen Sie Ihre Kühltruhe so, dass die auf der Grenzetikette, falls vorhanden, angegebene Höchstbeladungsmenge nicht überschreitet und die Luftzirkulation nicht verhindert wird.
- Bedecken oder versperren Sie auf keinen Fall die Lüftungsöffnungen (vorderes Kunststoffgitter, hinteres Gitter) Ihrer Kühltruhe mit irgendwelchen Gegenständen.
- Für einen produktiven Gebrauch unbedingt zweimal jährlich eine Kondensatorwartung /-reinigung vom Service durchführen lassen.

BESCHREIBUNG IHRER TIEFKÜHLTRUHE



VF 372 / 7464.0055

VF 500

1. Kanopi Beleuchtung Gruppe
2. Beleuchtungsfluoreszenzen
3. Ablagen
4. Ablageaufhängungen
5. Tür
6. Plastikgitter, vorn
7. Verstellbarer Fuß (an vier Ecken)
8. Drainierungsverschluß
9. Thermometer
10. Elektronisches Kontrollsystem (Optional)

| Technische merkmale | | VF 372 / 7464.0055 | VF 500 |
|-----------------------------|------------|---------------------------|--------------|
| Betriebswärme | °C | -18 / -24 | -18 / -25 |
| Energieverbrauch | kWh/24h | Siehe bitte Typenetikette | |
| Leistung | W | | |
| Spannung / Frequenz | V/hz | | |
| Außenmaße | HxBxT (mm) | | |
| Innenmaße | HxBxT (mm) | 1571x521x465 | 1573x538x573 |
| Brutto Volumen | Lt | 372 | 470 |
| Netto Volumen | Lt | 334 | 363 |
| Ablagengewicht Maximum | Kg | 40 | 45 |
| Umgebungstemperatur Maximum | °C | 38 | |
| Temperaturklasse | | C-condition | |



- Die Typenetikette befindet sich im Innenraum des Kühlers.
- Für Typenetikettenmuster siehe Gebrauchsanleitung hintere Seite.
- Die Abbildungen in der Gebrauchsanleitung bezwecken lediglich die Darstellung größter Ähnlichkeiten und können je nach Modell und Optionen variieren.

AUFSTELLEN

Aufstellung, Platzierung, Anwendung, Pflege und Reinigung Ihres Kühlers müssen den Informationen in der Gebrauchsanleitung entsprechen. Ein Vorgehen entgegen der Gebrauchsanleitung sollte gemieden werden. Schaden/Störung die aufgrund solch einem Vorgehen entstehen, fallen nicht unter die Garantiegewähr.

Aufstellplatz

- Für einen störungsfreien und effektiven Betrieb der Kühltruhe sollten folgende Umgebungsbedingungen vorhanden sein.
- Der Abstellplatz der Kühltruhe sollte sich in einer Umgebung befinden, die der im Typenschild angeführten Klasse entspricht.
- Beachten Sie bitte, dass Lebensmittel die sich in Kühltruhen mit gläsernen Scheiben befinden von den UV Sonnenstrahlen beeinträchtigt werden. Bewahren Sie Ihre Kühltruhe (auch im leeren Zustand) an einem sonnengeschützten Ort auf.
- Dieses Produkt ist für den Gebrauch in Bereichen die der Brand-, Explosions- oder Radioaktivitätsgefahr ausgesetzt sind nicht geeignet.
- Isofern nicht gegensätzlich ausgedrückt wird, Ihre Kühltruhe nicht in wassereintrittsgefährdete Standorte aussetzen.
- Achten Sie beim Aufstellen der Kühltruhe darauf, dass sich für die Luftzirkulation oben, hinten und an den Seiten jeweils ein ausreichender Abstand von 10 cm befindet. Falls Sie eine andere Kühltruhe oder einen anderen Schrank hinstellen wollen, muss der Abstand mindestens 30cm betragen.
- Bedecken oder versperren Sie auf keinen Fall die Lüftungsöffnungen (Kunststoffgitter vorn, Gitter hinten) Ihrer Kühltruhe mit irgendwelchen Gegenständen.

Ablauf der Einrichtung

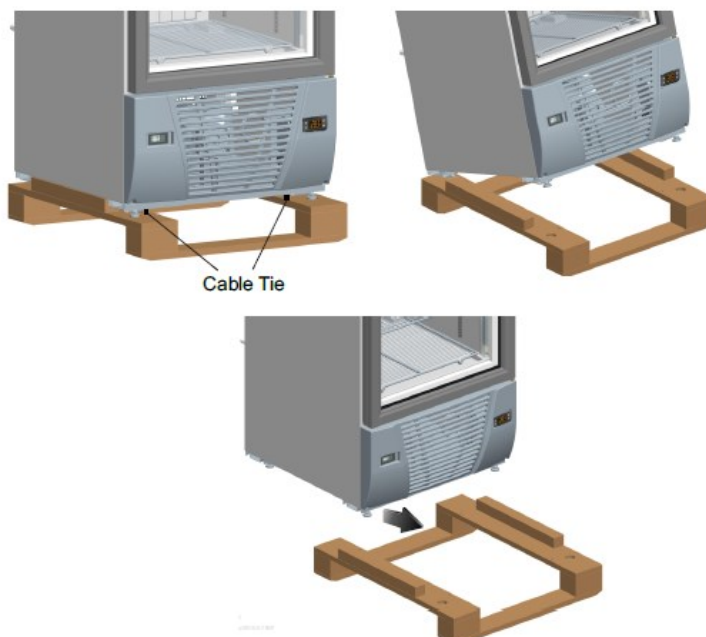
Vor dem Aufstellen Ihrer Kühltruhe, alle Verpackungsmaterialien entfernen und die Holzpalette abbauen.

Ausbau der Holzpalette



Beim Ausbauen der Holzpalette das Gewicht der Kühltruhe mit in Betracht ziehen.

Ihre Kühltruhe wurde an Sie auf einer Holzpalette ausgeliefert die wiederum mit 4 Kabeln befestigt wurden. Lesen Sie bitte vor dem Abstellen an den Verwendungsplatz folgende Richtlinien durch. Die Kabelverbindungen die die Kühltruhe und die Holzpalette miteinander verbinden, mithilfe eines Schneidgerätes abrechen und rausziehen. Den hinteren Teil der Kühltruhe rückwärts neigen und die Palette unter der Kühltruhe wegnehmen. Die Kühltruhe auf den Abgrund stellen. Falls der Untergrund uneben ist, das Produkt auf eine Waage setzen.



Aufnahme der Kühltruhe auf die Waage



Damit die Kühltruhe einwandfrei laufen kann, sollte der Abstellboden eben sein und die Kühltruhe sollte sich auf der Waage befinden.

Beim Aufsetzen auf die Waage, den vorderen und hinteren Teil der Kühltruhe, jeweils ein wenig nach vorn und nach hinten neigend, die Fußschrauben auf die gewünschte Höhenlage abschrauben. Stellen Sie die Kühltruhe auf den Boden ab und kontrollieren die Ebenmäßigkeit anhand einer Wasserwaage. Falls Ungleichmäßigkeiten vorhanden sind, mithilfe von Fußschrauben regeln.

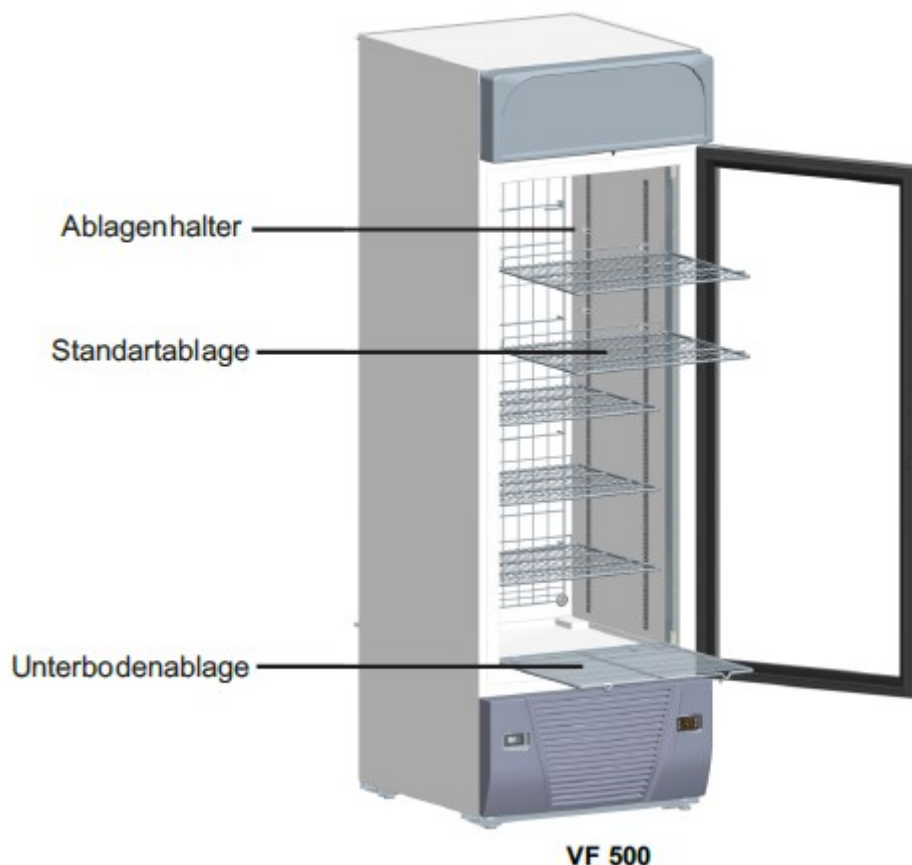
Aufstellen der Ablagen

Gilt nur für Kühltruhen mit dem Model VF 500!

In Ihrer Kühltruhe befinden sich insgesamt 6 Ablagen, davon 5 Standartablagen sowie eine Untergrundablage und 20 Ablagenhalter. Für das Aufstellen der Ablagen die Ablagenhalter, je nach der Größe der Produkte die auf den Ablagen verstaut werden sollen, nach zugeordneten Nummern des Ablagengestells platzieren. Für eine leichtere Einrichtung die Ablagenhalter mit einer Zange an beiden Kanten greifen und in seine Lage absetzen. Zuerst die Untergrundablage auf den Kühlergrund legen. Danach die erste Standartablage leicht seitlich geneigt auf die Ablagenhalter setzen. Mit den anderen Standartablagen auf die gleiche Weise vorgehen.



Den Untergrund der Kühltruhe auf keinen Fall belagern. Die Beladung auf die Ablage ablegen.



EINSCHALTEN DER TIEFKÜHLTRUHE



Die Kühltruhe nach dem Transport in einer regungslosen Stellung mindestens 2 Stunden abstellen.

Um die Kühltruhe einzuschalten, den Stecker an eine geeignete Steckdose anschließen. Eine separate Ein-Ausschaltung ist in Ihrer Kühltruhe nicht vorhanden. Ihre Kühltruhe ist in Betrieb. Die Leuchten Ihrer Kühltruhe können mit dem Schalter unter der Kappe ein- und ausgeschaltet werden. (Optional) Die Temperaturwerte des Innenraums Ihrer Kühltruhe wurden werkseitig eingestellt, sodass die verstauten Produkte in keiner Weise beschädigt werden. Vor dem Auffüllen der Kühltruhe diese mindestens 3 Stunden leerlaufen lassen. Produkte die für das Kühlen und Einfrieren nicht geeignet sind, sollten nicht gekühlt oder eingefroren werden. Überschreiten Sie beim Beladen der Kühltruhe auf keinen Fall die auf der Grenzetikette angegebene Höchstbeladungsmenge. Lassen Sie beim Beladen Ihrer Kühltruhe mit dem Modell VF 500 für die Luftzirkulation zwischen den geladenen Produkten und der nächsten Ablage einen ausreichenden Abstand. Vergewissern Sie sich beim Betrieb des Kühlers, ob die Tür ordentlich geschlossen und der Drainierungsverschluß ordentlich aufgesetzt ist.



Im Falle einer Beschädigung der Türscheibe des Kühlers, das Gerät auf keinen Fall berühren; es herrscht Gefahr eines elektrischen Anschlags. Den Stecker sofort von der Steckdose abziehen. Um die Lebensmittel sachgemäß aufzubewahren bitte die in der Kühltruhe befindlichen Produkte in einen anderen Kühler oder in einen geeigneten Platz verladen und den Service anrufen.

Wechsel der Beleuchtungslampen (nur für Informationszwecke)

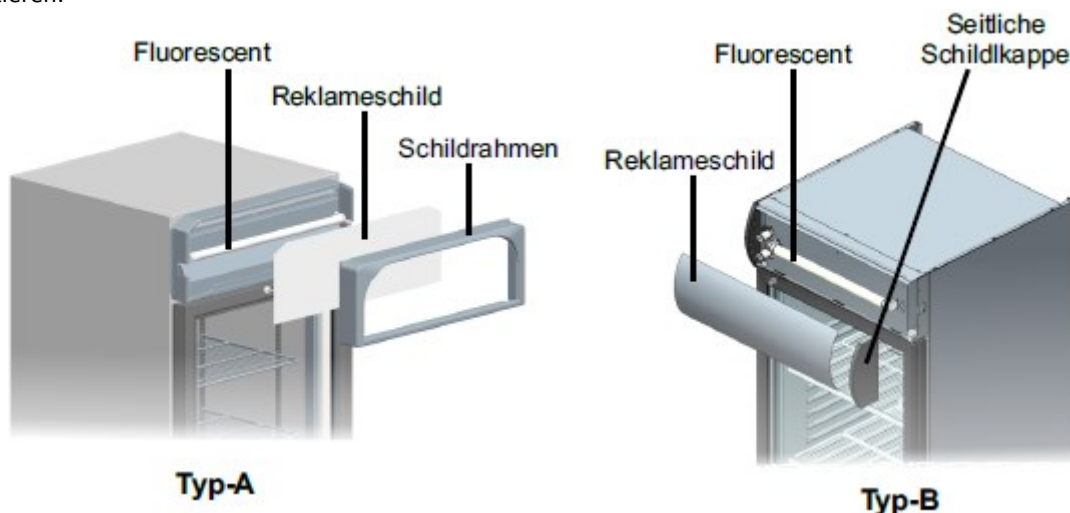


- Um Unannehmlichkeiten zu verhindern, sollten die Beleuchtung Lampen der Kühltruhe nur vom Service ersetzt werden. Folgende Inhalte dienen lediglich der Information.
- Vor einem Wechsel der Beleuchtungslampen den Stecker der Kühltruhe unbedingt von der Steckdose rausziehen und sich vergewissern, dass auf der Kühltruhe keine Spannung vorhanden ist.

Wechsel der oberen Reklamebeleuchtungslampe

Das Reklameschild ist am Baukörper oben und unten (Typ-A) oder an den Seiten (Typ-B) mit Schrauben festmontiert. Zum Ausbau des Reklameschildes diese Schrauben abtrennen. Nach dem Abbau des Schildrahmens/der seitlichen Schildklappen das Reklameschild abnehmen.

Fluorescentlampen dürfen nur mit adäquaten (Typ, Maß, Leistung usw.) Fluorescentlampen ersetzt werden. Nach dem Ersetzen den gleichen Ablauf in der verkehrten Reihenfolge befolgen und das Reklameschild montieren.



Wechsel der Innenbeleuchtungslampen

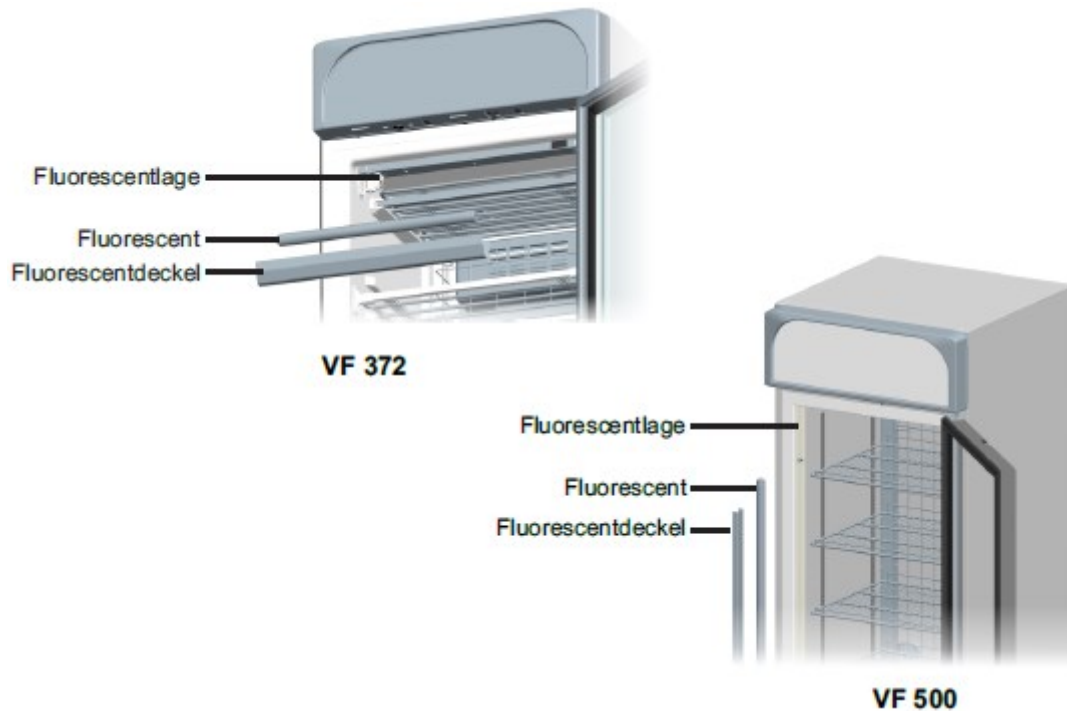
Den Fluorescentdeckel von seiner Stellung abnehmen.

Fluorescentlampen dürfen nur mit gleichwertigen (Typ, Maß, Leistung usw.) Fluorescentlampen ersetzt werden.

Nach dem Wechsel den Fluorescentdeckel wieder einsetzen.



Bei Kühltruhen Typ VF 500 wurden Fluorescenttyp **F36W/865 SYLVANIA LUXLINE PLUS DAYLIGHT DE LUXE** verwendet. Beim Ersetzen nur gleiche Fluorescenttypen anwenden.



ELEKTRONISCHES KONTROLLSYSTEM (OPTIONAL)

Gilt nur für Kühltruhen mit dem Model VF 500!

Wenn Sie Ihr Gerät in die Steckdose einstecken, so blinkt die Kontrolleinheit einige Sekunden lang, um sicher zu sein, ob alle Anschlüsse fachgerecht durchgeführt wurden. Das ist ein normaler Fall und danach zeigt sich der momentane Temperaturwert im Bildschirm. Set Temperatur ist so eingestellt, dass Ihre Getränke unter idealer Temperatur aufbewahrt werden. Bitte versuchen Sie niemals, die Einstellungen zu ändern. Kontrolleinheit und Setwerte sind mit einem Passwort geschützt.

Das vordere Panel der Kontrolleinheit gegen Wasser (IP65) geschützt. Waschen Sie aber hinsichtlich Ihrer Sicherheit die Oberfläche niemals unter fließendem Wasser.



- Manuelles Abtauen
- Schaltet die Beleuchtungen des Schrankes ein und aus
- Der Schrank wird vom Tagesmodus in den Nachtmodus umgeschaltet, bei Betätigung im Nachtmodus schaltet es in den Tagesmodus über.
- Schaltet die Thermostatzustandsanzeige ein



- Anzeige für Thermostat Nachtmodus
- Anzeige Kompressor aktiv
- Alarm LED (Wenn LED aufleuchtet, Störung kontrollieren.)
- °C symbol
- Anzeige Evaporator Gebläse aktiv
- Anzeige für Thermostat Abtaumodus
- Anzeige Schranklampen eingeschaltet

REINIGUNG, PFLEGE UND TRANSPORT

Defrostbetrieb (Abtauen)

Beim Entfrostonvorgang werden Schnee- und Eisbildungen abgetaut. Kühltruhen mit dem Model VF 500 wurden mit einem Entfrostonssystem ausgestattet die das gebildete Eis vor dem Evaporator, sichtbar vom Lüftungsgitter im Innern, abtauen.

In den Kühltruhen mit dem VF 372 können sich an den Ablagen mit der Zeit Schnee/Eis bilden. Da dies die Kühlleistung reduziert und den Energieverbrauch erhöht, sollte das Gerät manuell abgetaut werden.

Manuelles Abtauvorgang

(Nur für Kühltruhen mit dem Typ VF 372)

- Um die Lebensmittel bedarfsgerecht aufzubewahren, verladen Sie die in der Kühltruhe befindlichen Produkte in einen anderen Kühler oder an einen geeigneten Platz.
- Den Stecker des Kühlers von der Steckdose abziehen.
- Warten Sie bis das Schnee/Eis, dass sich im Kühler angesammelt hat, schmilzt.



Verwenden Sie für die Beschleunigung des Tiefkühlvorgangs keine mechanische Geräte oder andere Methoden die in der Gebrauchsanleitung nicht ausdrücklich verlangt werden.

Nach dem Abtauen den Kühler im Innern mit einem Schwamm oder einem weichen Lappen abtrocknen. Den Stecker des Kühlers wieder an die Steckdose anschließen. Warten Sie mit der Verlagerung tiefgefrorener Produkte bis die Kühltruhe die erforderliche Betriebstemperatur erreicht.

Reinigung



- Zur Vorbeugung von Verletzungen, vor der Reinigung unbedingt Schutzhandschuhe tragen.
- Damit Sie Ihrer Kühltruhe beim Reinigen keinen Schaden zufügen, meiden Sie die Anwendung vom warmen Wasser, Alkohol, Reinigungspulver, elektrischen Heizer, Dampfreinigungszubehöre, harte/scharfe Werkzeuge oder ähnlicher Gegenstände.
- Unbedingt zweimal jährlich eine Kondensatorwartung /-reinigung vom Service durchführen lassen.

- Um die Lebensmittel bedarfsgerecht aufzubewahren, verladen Sie die in der Kühltruhe befindlichen Produkte in einen anderen Kühler oder an einen geeigneten Platz.
- Den Stecker Ihres Kühlers von der Steckdose abziehen.
- Wenn sich in der Kühltruhe Schnee/Eis gebildet hat oder wenn eine Flüssigkeit, die beim Gebrauch verschüttet wurde eingefroren ist; warten bis diese abtauen.
- Nur bei Kühltruhen mit dem Typ VF 500; durch Öffnen des Drainierungsverschluß die Flüssigkeit abfließen lassen. Nach dem Abfluss das Aufsetzen des Drainierungsverschlußes nicht vergessen. Andernfalls kann sich beim Betrieb Eis entwickeln.
- Wischen Sie die Kühltruhe mit einer Mischung von 1Lt Wasser und 2 Teelöffel Lebensmittelsoda.
- Das Gerät im Innern mit einem Schwamm oder einem weichen Lappen abtrocknen.
- Die Oberfläche des Kühlers mit feuchtem Lappen abwischen und mit einem trockenen Tuch abtrocknen. Nach der Reinigung den Stecker des Geräts wieder an die Steckdose anschließen. Warten Sie mit der Verlagerung tiefgefrorener Produkte bis die Kühltruhe die erforderliche Betriebstemperatur erreicht.

Ferien / Unterbrechung des Gebrauchs

Vor einer langen Reise oder einer langen Unterbrechung eine Reinigung vornehmen. Um eine Geruchsbildung zu verhindern, bitte die Tür offen lassen.



- Wenn die Kühltruhe in einem geschlossenen Raum aufbewahrt werden soll, am besten mit einem Baumwolltuch abdecken; erhöht die Beständigkeit.
- Das Gerät nicht mit einem Kunststoff bedecken. Da der Kunststoff nicht atmungsaktiv ist, können sich Gerüche und Feuchtigkeit bilden. Die Feuchtigkeit führt zur Korrosion der Kühltruhe.

Transport

Vor dem Transport die Kühltruhe reinigen. Die Kühltruhe während des Transports aufrecht tragen.



Zur Isolation der Kühltruhe wurden Expansionsgase (C-Pentane) angewendet. Wenn das Gerät außer Betrieb gesetzt wird, müssen entsprechende gesetzliche Bestimmungen des Landes einbehalten werden.

VOR DEM AUFSUCHEN EINES SERVICE

Wenn Ihre Kühltruhe nicht funktioniert;

- ☞ Der Netzstecker sitzt nicht fest.
- ☞ Stromausfall oder die Sicherung hat ausgelöst.
- ☞ Prüfen ob Strom vorhanden ist, prüfen ob der Stecker angeschlossen ist.

Die Kühltruhe schaltet immer häufiger und länger ein;

- ☞ Die Tür wird zu häufig geöffnet oder sie bleibt länger offen.
- ☞ Der Kompressor Teil der Kühltruhe wird nicht ausreichend entlüftet oder der Kondensator ist verstaubt. Bitte reinigen.
- ☞ Der Abstand im Umfeld der Kühltruhe ist nicht ausreichend.

Wenn Ihre Kühltruhe nicht ausreichend kühlt;

- ☞ Die Tür wird zu häufig geöffnet oder sie bleibt länger offen.
- ☞ Wegen Überschreitung der Ladungskapazität ist die Luftzirkulation in Ihrem Gerät ungenügend.
- ☞ Die Pflege/Reinigung des Kondensators wurde vernachlässigt.

Wenn sich Gerüche aus der Kühltruhe entwickeln;

- ☞ Geruchentfaltende Lebensmittel befinden sich nicht in geschlossenen Behältern.
- ☞ Die Kühltruhe ist nicht genügend rein.

Wenn Sie die oben erwähnten Punkte kontrolliert haben und das Problem nicht beseitigen konnten, rufen Sie unter Angabe des Modells Ihrer Kühltruhe und der Seriennummer unseren Callcenter unter der Rufnummer 444 0 789 an.

EIGNUNGSSTANDARTS

In der Gebrauchsanweisung dargestellte Kühltruhen werden nach den Bestimmungen der

TS EN ISO 23953-1

TS EN ISO 23953-2

TS EN 60335-2-89

IEC 60335-2-89 Standarts,

2006/95/EC

den Richtlinien 2004/108/EC produziert und getestet.

Cher client,

Ce produit est fabriqué dans les installations modernes respectueuses de l'environnement sans donner de dommage à la nature et est passé par des opérations poussées de contrôle qualité. Dans toutes les phases de fabrication de ce produit des technologies « amies de l'environnement » furent utilisées et des matériaux et des gaz non néfastes pour l'environnement furent choisis.

Ce guide, contient des informations importantes, est conçu pour vous apporter la possibilité d'utiliser le produit avec une performance maximum et pendant de longues années.

S'il vous plait lire attentivement du début jusqu'à la fin ce guide et en tant que source conserver dans un endroit facile d'accès.

Symboles et explications

Dans le guide d'utilisation les informations ci-dessous sont contenues.



Informations et signes importants



Avertissement contre la sécurité de la vie et des biens



Avertissement contre la tension électrique

AVERTISSEMENTS GÉNÉRAUX



- Lors de l'achat du congélateur contrôler l'existence de dommages. Ne pas faire fonctionner un congélateur endommagé.
- Faire attention aux règles ci-dessous pour une utilisation sans danger et sûre.
- L'installation du congélateur, le positionnement, l'utilisation, la maintenance et le nettoyage doivent être conformes aux indications du guide. Ne pas faire une application différente hors des explications dans le guide. En cas de dommage/panne dans le congélateur en raison d'une telle application le produit sera hors garantie.
- L'emballage du congélateur est produit à partir de matériaux recyclables.
- Conserver les documents et la documentation pour une utilisation potentielle ultérieure.
- Ne pas oublier que les rayons UV du soleil ont des effets sur les aliments dans les congélateurs avec couvercle en verre. Placer votre congélateur dans un endroit où le congélateur ne sera pas soumis directement aux rayons du soleil (même lorsqu'il est vide).
- Ce produit n'est pas compatible pour une utilisation dans les lieux ayant des risques d'incendie, d'explosion ou de radiation.
- Tant qu'une indication contraire n'est pas indiquée ne pas placer votre congélateur dans les lieux ouverts avec entrée d'eau.
- Lors de l'installation de votre congélateur laisser au moins un espace de 10 cm afin d'assurer la circulation d'air au-dessus, en arrière et sur les côtés, si vous devez placer à côté un autre congélateur ou une autre armoire assurez-vous que l'espace soit d'au moins de 30 cm.
- Avant la première utilisation nettoyer l'intérieure de votre congélateur.
- Pour les congélateurs de type VF 500 ; lors du fonctionnement assurez-vous que le bouchon de drainage soit monté. Dans le cas contraire autour du trou de drainage il peut avoir du gèle.
- Votre congélateur doit être fonctionné dans les conditions d'ambiance conforme à la classe mentionnée sur l'étiquette type.
- Ne pas couvrir les trous d'aération de votre congélateur (couvercle avant en plastique, couvercle arrière) et ne pas fermer avec un quelconque matériel.
- Choisir les composants originaux pour toutes les pièces devant être changées sur le produit.
- Ne pas utiliser le fond, les étagères, la porte et les pièces comme tels de votre congélateur comme un support ou un palier.
- Ne pas utiliser les appareils électriques à l'intérieure de votre congélateur.
- Pour accélérer l'opération de dégivrage ne pas utiliser des objets mécaniques ou des méthodes qui ne sont pas conseillés par le fabricant.
- Lors du remplissage de votre congélateur ne pas dépasser la capacité de remplissage maximum mentionnée le cas échéant sur l'étiquette de niveau.



- Connecter votre congélateur à une prise de terre installée conformément aux directives obligatoires, conforme aux tensions et fréquence de service.
- La tension et la fréquence de fonctionnement de votre congélateur est déterminée sur l'étiquette type sur le produit.
- Avant de faire fonctionner faire contrôler par le service ou un électricien formé si la prise de terre est conforme pour le fonctionnement du congélateur.
- Les réparations sur les appareils électriques doivent être réalisées seulement par des personnes compétentes. Les opérations d'installation et de réparation par des personnes incompetentes peuvent constituer un danger pour l'utilisateur. Pour toutes les questions et les problèmes concernant le produit prendre conseil auprès du service agréé. Ne pas intervenir et ne pas laisser intervenir sur le produit en dehors de l'information des services agréés.
- En cas de problème sur le câble électrique ou sur la fiche, pour empêcher une situation dangereuse, doit être changée par le fabricant ou l'agence agréée par lui ou par un personnel agréé de même niveau.
- Ne pas utiliser de rallonge ou une prise multiple.
- Assurez-vous que la prise de connexion du câble de votre congélateur n'est pas endommagée.
- Ne pas connecter à la prise le câble endommagé, déchiré ou usé.
- L'accès facile au câble électrique et à la prise assure un avantage en cas de situation de danger.

- Ne pas effectuer de maintenance et de réparation lorsque le câble de votre congélateur est connecté sur la prise. En cas de problème ou en cas d'entretien et de nettoyage couper la connexion électrique de votre congélateur en fermant le fusible ou en enlevant le câble de la prise. Dans le cas contraire ceci peut causer la mort ou des blessures graves.
- Pour l'opération de nettoyage enlever le câble électrique de la prise ou fermer le fusible auquel il est raccordé.
- Lorsque vous enlevez le câble de votre congélateur, tirez le câble en tenant la tête. Ne jamais tirer sur le fil du câble.
- Lors du nettoyage de votre congélateur et de l'environnement ; ne pas laver avec de l'eau sous pression ou un tuyau, utiliser un chiffon humide. Dans le cas contraire, l'eau rentrant dans les composants électriques du produit peut survenir des risques d'électrocution et d'incendie.
- Lors du nettoyage de votre congélateur afin d'éviter les dommages ne jamais utiliser d'eau chaude, d'alcool, poudre de nettoyage, chauffe électrique, matériaux de nettoyage à vapeur, objets durs / tranchant et objets similaires.
- Lorsque la vitre de votre congélateur est endommagée, ne pas toucher votre congélateur en raison de risque d'électrocution. Enlever immédiatement le câble. Placer les produits congelés dans votre congélateur dans un autre congélateur ou dans un lieu conforme pour éviter les détériorations et faire recours au service agréé.

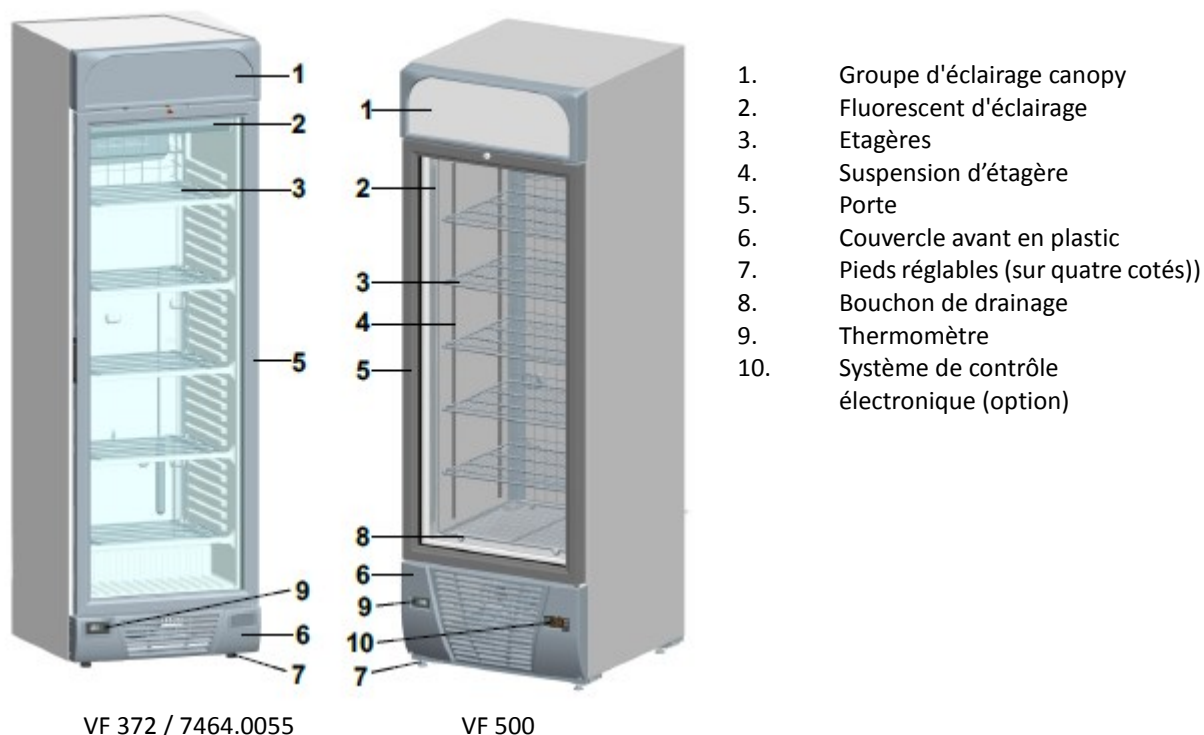


- Ce produit n'est pas conçu pour l'utilisation des personnes (y compris les enfants) faibles physiquement, émotionnellement ou mentalement ou ayant des manques d'information et d'expérience tant qu'elles ne sont pas sous le contrôle ou l'observation concernant l'utilisation du produit pas une personne responsable de leur sécurité.
- En dehors des indications dans ce guide ne pas démonter aucun couvercle de protection extérieure.
- Ne pas toucher avec les mains mouillées les composants internes en métal du produit en fonctionnement.
- Les matériaux d'emballage peuvent être un danger pour les enfants, garder les dans un endroit loin de leur portée.
- Ne jamais garder dans le congélateur les produits avec gaz inflammable et les matériaux explosifs.

ÉLÉMENTS À PRENDRE EN COMPTE POUR L'UTILISATION PRODUCTIVE ET L'ÉCONOMIE D'ÉNERGIE

- Faire fonctionner votre congélateur dans les lieux conforme à la classe mentionnée dans l'étiquette type.
- Placer votre congélateur dans un lieu loin de la source de chaleur.
- Placer votre congélateur de façon à ne pas être exposé directement aux rayons du soleil.
- Ne pas laisser ouverte pendant une longue durée la porte de votre congélateur.
- Lors de l'installation de votre congélateur laisser au moins une espace de 10 cm afin d'assurer la circulation d'air au-dessus, en arrière et sur les côtés, si vous devez placer à côté un autre congélateur ou une autre armoire assurez-vous que l'espace soit d'au moins de 30 cm. Dans le cas contraire ceci causera la consommation de plus d'énergie en faisant diminuer la performance du produit car l'échange de chaleur ne sera pas correct.
- Remplir l'intérieure de votre congélateur de façon à ne pas empêcher la circulation d'air et si existe de façon à ne pas dépasser la capacité maximum de remplissage indiquée sur l'étiquette de niveau.
- Ne pas couvrir les trous d'aération de votre congélateur (couvercle avant en plastique, couvercle arrière) et ne pas fermer avec une quelque matériel.
- Pour une utilisation productive de votre congélateur faire effectuer l'entretien/le nettoyage du condensateur au moins deux fois par an par un service agréé.

PRÉSENTATION DE VOTRE CONGÉLATEUR



VF 372 / 7464.0055

VF 500

| Propriétés techniques | | VF 372 / 7464.0055 | VF 500 |
|-------------------------------|------------|------------------------------|--------------|
| Température de fonctionnement | °C | -18 / -24 | -18 / -25 |
| Consommation d'énergie | kWh/24h | Svp regarder sur l'étiquette | |
| Puissance | W | | |
| Voltage / fréquence | V/hz | | |
| Dimensions extérieures | HxWxD (mm) | | |
| Dimensions intérieures | HxWxD (mm) | 1571x521x465 | 1573x538x573 |
| Volume brut | Lt | 372 | 470 |
| Volume net | Lt | 334 | 363 |
| Poids maximum d'étage | Kg | 40 | 45 |
| Température ambiante maximum | °C | 38 | |
| Classe climat | | C-condition | |



- l'étiquette type se trouve dans la partie intérieure de votre congélateur
- regarder dans la page verso du guide pour le modèle d'étiquette type
- les photographies utilisées dans le guide sont des photographies montrant de près le produit, il peut y avoir des différences selon le modèle et les options.

INSTALLATION

L'installation du congélateur, le positionnement, l'utilisation, la maintenance et le nettoyage doivent être conformes aux indications du guide. Ne pas faire une application différente hors des explications dans le guide. En cas de dommage/panne dans le congélateur en raison d'une telle application le produit sera hors garantie.

Identification du lieu

- Pour un fonctionnement sans problèmes et performant de votre congélateur il est important d'assurer les conditions ambiantes mentionnées ci-dessous.
- Votre congélateur doit être fonctionné dans les conditions d'ambiance conforme à la classe mentionnée sur l'étiquette type.
- Ne pas oublier que les rayons UV du soleil ont des effets sur les aliments dans les congélateurs avec couvercle en verre. Placer votre congélateur dans un endroit où le congélateur ne sera pas soumis directement aux rayons du soleil (même lorsqu'il est vide).
- Ce produit n'est pas compatible pour une utilisation dans les lieux ayant des risques d'incendie, d'explosion ou de radiation.
- Tant qu'une indication contraire n'est pas indiquée ne pas placer votre congélateur dans les lieux ouverts avec entrée d'eau.
- Lors de l'installation de votre congélateur laisser au moins une espace de 10 cm afin d'assurer la circulation d'air au-dessus, en arrière et sur les côtés, si vous devez placer à côté un autre congélateur ou une autre armoire assurez-vous que l'espace soit d'au moins de 30 cm.
- Ne pas couvrir les trous d'aération de votre congélateur (couvercle avant en plastique, couvercle arrière) et ne pas fermer avec une quelque matériel.

Procédure d'installation

Avant de placer votre congélateur enlever tous les matériaux d'emballage et démonter la palette en bois.

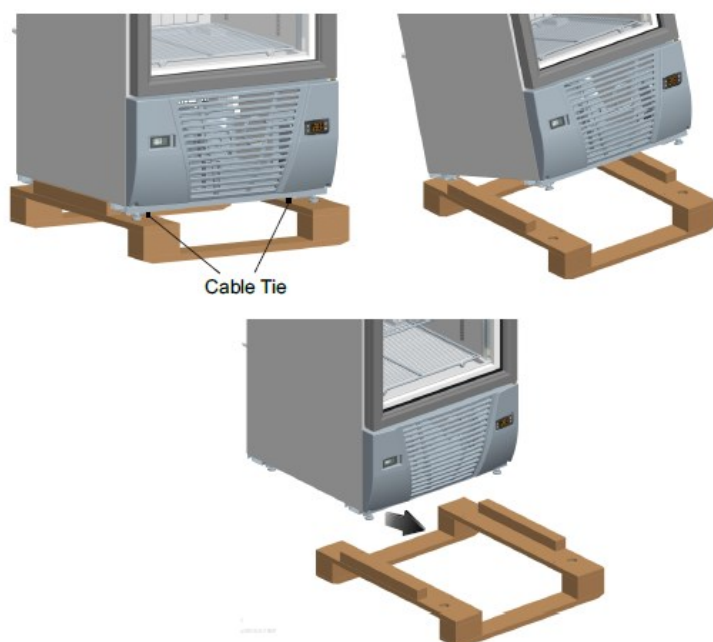
Démontage de la palette en bois



Lors du démontage de la palette en bois il faut prendre en compte le poids de votre congélateur.

Votre congélateur est livré sur une palette en bois avec fixation par 4 câbles. Avant de le placer sur le lieu d'utilisation lire absolument les instructions ci-dessous. Les liens en câble fixant la partie avant et arrière du congélateur avec la palette en bois doivent être coupés avec l'aide d'un outil coupant.

En déchirant en arrière de la partie derrière du congélateur la palette est enlevée du dessous du congélateur. Il faut laisser le congélateur sur le sol. Si le sol n'est pas plat il faut la mettre le produit à niveau.



Mise à niveau du congélateur



Pour un fonctionnement correct du congélateur il faut que le sol soit plat et que le congélateur soit mis à niveau.

Pour mettre à niveau le congélateur, en la couchant légèrement vers l'avant et le derrière en poussant de devant et de derrière dévisser les boulons des pieds jusqu'à la position du niveau voulu. Laisser le congélateur sur le sol et avec l'aide d'un manomètre d'eau contrôler s'il est ou non à niveau. S'il existe un penchement vers un coté effectuer le réglage avec l'aide des boulons des pieds.

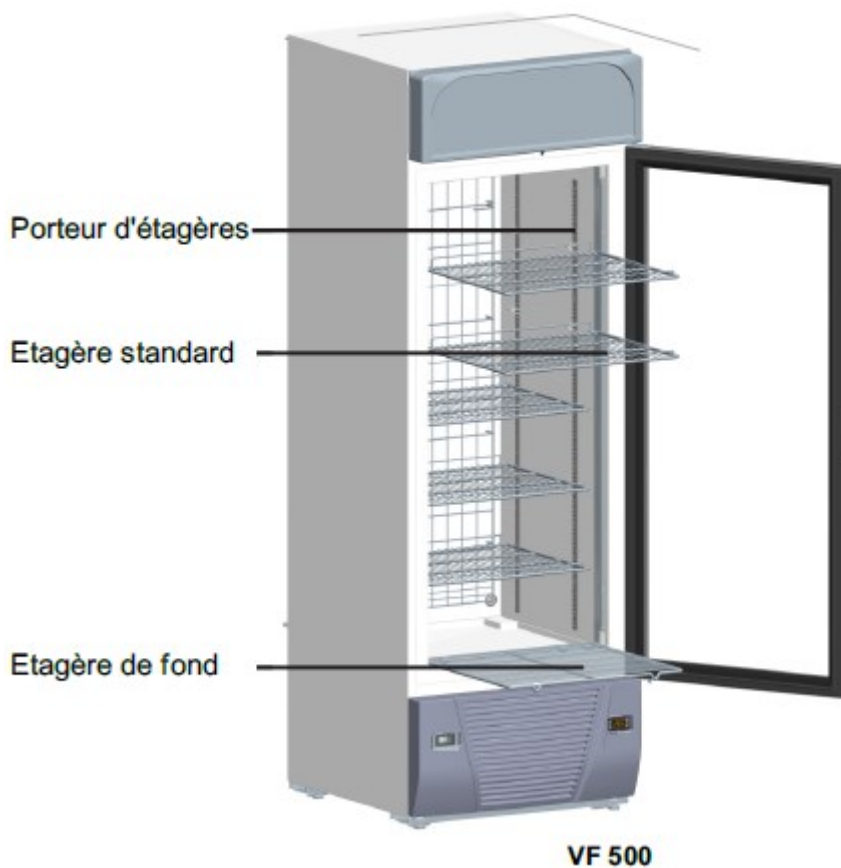
Installation des étagères

Valable seulement pour les congélateurs de VF 500 !

Sur votre congélateur il existe 6 étagères dont 5 étagères standards et 1 sur le fond et 20 porteurs d'étagères. Pour mettre en place les étagères, selon la taille des produits devant être mis sur les étagères en utilisant les numéros sur les porteur d'étagères, les tiges d'étagères placer les. Pour placer facilement les porteurs d'étagère vous pouvez avec une pince tenir sur les deux bouts afin de les mettre en place. En premier placer l'étagère du fond sur le fond. Ensuite en inclinant légèrement la première étagère devant être mis sur l'étagère du fond faire asseoir sur les onglets des porteurs d'étagère. Ensuite en utilisant la même méthode mettre en place les autres étagères.



Sur le fond de votre congélateur ne pas mettre de charge. Mettre la charge sur l'étagère du fond.



FONCTIONNEMENT DE VOTRE CONGÉLATEUR



Pour faire fonctionner votre congélateur après une opération de transport il faut attendre sans le faire bouger au moins 2 heures en position de fonctionnement normal.

Pour faire fonctionner votre congélateur mettre le fil électrique sur une prise compatible. Par ailleurs dans votre congélateur il existe un bouton d'ouverture fermeture. Le Congélateur va commencer à fonctionner. Vous pouvez allumer et éteindre les lampes votre congélateur avec les clés sous le canopy. (Option) La température interne de votre congélateur est réglée en usine de façon à ne pas détériorer les produits dans toutes les conditions. Avant de remplir votre congélateur il faut le faire fonctionner à vide pendant au moins 3 heures. Ne pas refroidir et congeler dans le congélateur les produits dont le refroidissement et la congélation est interdit. Lors du remplissage de votre congélateur s'il y a un remplissage maximum mentionné avec une étiquette de niveau ne pas la dépasser. Lors du remplissage de votre congélateur modèle VF 500 laisser du vide pour assurer la circulation de l'air entre les produits et l'étagère supérieure. Lors du fonctionnement de votre congélateur assurez-vous que la porte est fermée correctement et que le bouchon de drainage est mis.



Lorsque la porte vitrée de votre congélateur est endommagée, ne pas toucher votre congélateur en raison de risque d'électrocution. Enlever immédiatement le câble. Placer les produits congelés dans votre congélateur dans un autre congélateur ou dans un lieu conforme pour éviter les détériorations et faire recours au service agréé.

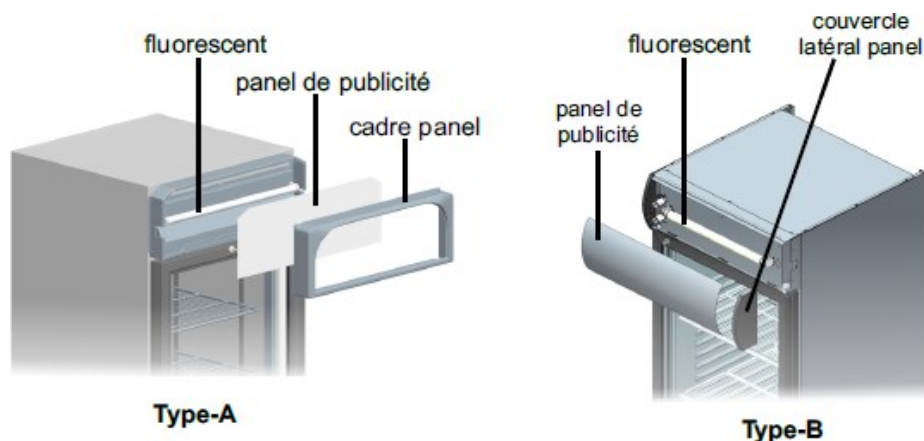
Changement des lampes d'éclairage (informatif)



- les lampes d'éclairage de votre congélateur, afin d'éviter une situation pouvant être dommageable, doivent être changé absolument par un service agréé. Les éléments ci-dessous sont à titre d'information.
- Avant le changement des lampes d'éclairages enlever absolument de la prise le câble électrique du congélateur et s'assurer qu'aucun courant électrique ne se trouve sur le congélateur.

Changement de la lampe d'éclairage publicité du dessus

Le panel de publicité du dessus est monté sur les côtés supérieures et latérales de la structure (type A) ou sur les côtés latéraux (type B). Pour démonter le panel de publicité du dessus il faut dévisser ces vis. Après le démontage du cadre du panel ou des couvercles latéraux du panel il faut enlever le panel de publicité. La lampe fluorescente doit être changée avec une lampe fluorescente ayant les mêmes caractéristiques (type, taille, puissance etc.). Après la fin du changement la même opération est effectuée à l'envers et le panel est monté.



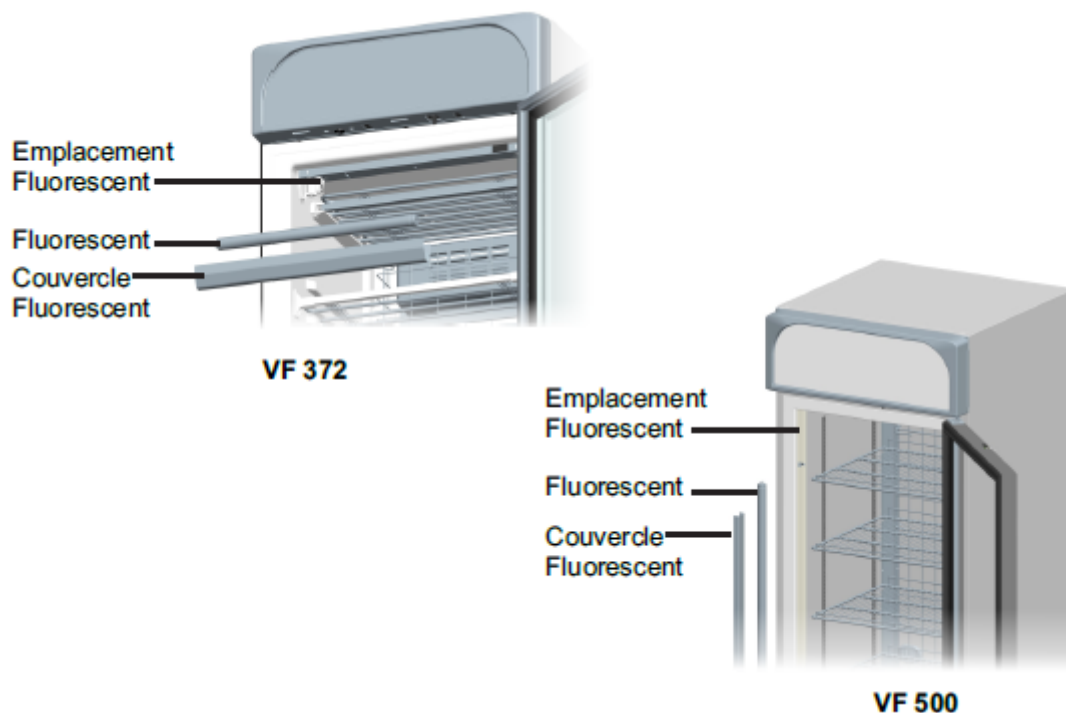
Changement de la lampe d'éclairage intérieure

Enlever le couvercle du Fluorescent.

La lampe fluorescente doit être changé avec une lampe fluorescente ayant les mêmes caractéristiques (type, taille, puissance etc.). Après la fin du changement la même opération est effectuée à l'envers et le panel est monté.



Dans les congélateurs de type VF 500 est utilisé un fluorescent de type **F36W/865 SYLVANIA LUXLINE PLUS DAYLIGHT DE LUXE**. En cas de nécessité de changement il faut absolument utiliser un fluorescent de même type.







SYSTÈME DE CONTRÔLE ÉLECTRONIQUE (OPTION)








Valable seulement pour les congélateurs de VF 500 !

Lorsque vous connecter votre Congélateur sur la prise pour connaître si toutes les connexions sont correctes l'unité de contrôle clignote quelque seconde. Cette situation est normale, ensuite sur l'écran s'affiche la valeur de la température du moment. La température de réglage est réglée de façon à tenir à la température idéale vos aliments congelés, s'il vous plait ne pas essayer de changer les réglages. Les valeurs de réglage de l'unité de contrôle sont protégées avec un code. Le panel avant de l'unité de contrôle est protégé contre l'eau (IP65). Mais, pour votre sécurité, ne pas laver la surface de l'unité de contrôle en mettant de l'eau.



-  Dégivrage manuelle
-  Allume éteint les lumières de l'armoire
-  Fait passer l'armoire du mode jour au mode nuit, lors de l'appuie sur le mode nuit passage au mode jour.
-  Ouvre le menu de l'état du thermostat



-  Indique que le thermostat est en mode nuit
-  Indique que le compresseur est en service
-  LED alarme (si ce LED est allumé il faut chercher la cause du problème).
-  Symbole °C
-  Indique que le ventilateur de l'évaporateur est en service
-  Montre que le thermostat est en mode dégivrage
-  AUX Indique que les lampes de l'armoire sont allumées

NETTOYAGE, MAINTENANCE ET TRANSPORT

Opération de dégivrage

La Dégivrage est l'opération d'élimination du givre et de la glace formée avec le temps. Les congélateurs de modèle VF 500 est équipé d'un système de dégivrage automatique pour dégivrer la formation de glace devant l'évaporateur visible de la grille du ventilateur interne.

Dans les armoires de conservation de modèle VF 372 il peut se former du givre et de la glace avec le temps. Cette situation provoque la baisse de la capacité de refroidissement et plus de consommation d'énergie pour cette raison il faut appliquer une opération de dégivrage.

Opération manuelle de dégivrage:

(Seulement pour les armoires de conservation de type VF 372)

- Placer les produits congelés dans votre congélateur dans un autre congélateur ou dans un lieu conforme pour éviter les détériorations.
- Enlever de la prise le câble de votre congélateur.
- Attendre la fonte du givre/glace cumulée dans le congélateur.



Pour accélérer l'opération de dégivrage ne pas utiliser des objets mécaniques ou des méthodes qui ne sont pas conseillés par le fabricant.

Pour accélérer l'opération de dégivrage ne pas utiliser des objets mécaniques ou des méthodes qui ne sont pas conseillés par le fabricant.

Nettoyage



Pour se protéger des blessures avant le nettoyage utiliser absolument des gants de protection.

Lors du nettoyage de votre congélateur afin d'éviter les dommages ne jamais utiliser d'eau chaude, d'alcool, poudre de nettoyage, chauffe électrique, matériaux de nettoyage à vapeur, objets durs / tranchant et objets similaires. Faire effectuer l'entretien/le nettoyage du condensateur au moins deux fois par an par un service agréé.

- Placer les produits congelés dans votre congélateur dans un autre congélateur ou dans un lieu conforme pour éviter les détériorations.
- Enlever de la prise le câble de votre congélateur.
- Attendre la fonte du givre/glace cumulée dans le congélateur ou de la glace formée en raison du versement d'un liquide dans le congélateur.
- Seulement pour les congélateurs de type VF 500; enlever le bouchon de drainage pour évacuer le liquide. Après l'évacuation remettre le bouchon de drainage. Dans le cas contraire du givre peut se former lors du fonctionnement.
- Essuyer l'intérieure de votre congélateur avec un mélange de 1 Lt d'eau et de 2 cuillères à dessert de sodium de cuisine.
- Sécher l'intérieure du congélateur avec une éponge ou un chiffon doux.
- Vous pouvez essuyer l'extérieure de votre congélateur avec un chiffon humide et sécher avec un chiffon sec. Après le nettoyage rebrancher le câble électrique pour faire fonctionner votre congélateur. Pour remettre de nouveau les produits congelés, attendre que votre congélateur est atteint la température de fonctionnement.

Vacances / suspension de l'utilisation

Si vous devez partir en vacance pendant une longue période ou si vous allez suspendre l'utilisation réaliser l'opération de nettoyage. Pour éviter la formation d'odeur dans votre congélateur laisser la porte ouverte.



- Si le congélateur doit rester dans un endroit clos, la pose d'une couverture en coton va être augmentée la durée de vie de votre congélateur.
- Ne pas couvrir votre congélateur avec une couverture en plastique. Le plastique étant imperméable ceci causera l'apparition des odeurs et la sudation dans votre congélateur. La sudation peut causer de la rouille dans le congélateur.

Transport

Avant le transport nettoyer votre congélateur. Lors du transport transporter en position droite.



Dans l'isolation du Congélateur du gaz d'expansion est utilisé (C-Pentane) lors de la mise hors service de la structure il est obligatoire de traiter selon les règles et les lois du pays.

AVANT D'APPELER LE SERVICE

Si le Congélateur ne fonctionne pas ;

- Brancher correctement le câble sur la prise.
- Pas d'électricité dans la prise ou le fusible a sauté.
- Contrôler s'il y a une coupure d'électricité, contrôler le branchement sur la prise du câble.

Si Congélateur fonctionne plus que le nécessaire et plus souvent;

- La porte est souvent ouverte ou la porte est laissée ouverte pendant une longue durée.
- Pas assez d'air dans la partie du compresseur de votre congélateur ou poussière sur le condensateur. Il faut nettoyer.
- Pas assez de vide autour du Congélateur.

Si le Congélateur ne refroidit pas suffisamment ;

- La porte est souvent ouverte ou la porte est laissée ouverte pendant une longue durée.
- Circulation de l'air dans l'armoire n'est pas suffisant en raison du dépassement de la capacité maximum de remplissage.
- L'entretien /le nettoyage du condensateur non effectué.

Si Congélateur a des odeurs ;

- Les produits alimentaires odorants se trouvent dans les récipients ouverts.
- L'intérieure du congélateur n'est pas suffisamment propre.

Si votre armoire frigorifique ne fonctionne toujours pas malgré les contrôles indiqués ci-dessus et le nécessaire exécuté ou qu'il fonctionne mal, adressez-vous au service compétent le plus proche en indiquant le modèle et le numéro de série de votre armoire frigorifique.

STANDARDS DE CONFORMITÉ

Les Congélateurs indiqués dans le guide d'utilisation sont fabriqués et testés conformément ;

Aux standards

TS EN ISO 23953-1

TS EN ISO 23953-2

TS EN 60335-2-89

IEC 60335-2-89,

Aux directives

2006/95/EC

2004/108/EC