

	00	01	02	03	04	05	06	07	08	09	10	11	12	13	14	15	16	17	18	19
	ITALIANO							INGLESE			FRANCESE			TEDESCO			SPAGNOLLO			
A1	TASTIERA	DISPLAY	DISPLAY	AFFICHEUR	ANZEIGE	TECLADO														
A2	SCHEDE DI POTENZA	MAIN BOARD	CARTE PUISSANCE	HAUPTPLATINE	FICHA DE POTENCIA															
C1-2-3	FILTRO ANTIDISTURBO	CONDENSER	CONDENSATEUR	KONDENSATOR	FILTRO ANTI-PERTURBACION															
CP	CONDENSATORE POMPA	PUMP CONDENSER	CONDENSATEUR POMPE	PUMPKONDENSATOR	CONDENSADOR BOMBA															
KA	RELE GENERALE	MAIN RELAY	RELAIS	HAUPTRELAIS	RELE GENERAL															
KA 1-2-3	RELE AUSILIARIO	AUXILIAR ELAY	RELAIS AUXILIAIRES	HILFSRELAIS	RELE AUXILIAR															
MA3	RELE POMPA ALIMENTO PRESSIONE	RELAY BOOSTER PUMP	RELAIS SURPRESSEUR	NACHSPULPUMPE-RELAIS	RELE BOMBA ALIMENTO DE PRESSIONE															
MB3	TELELUTTORE SICUREZZA BOLLER	BOLLER SAFETY CONTACTOR	TELELUTTEUR SECURITE SURCHAUFFEUR	SICHERHEITS-FERNSCHALTER DES BOLLERS	CONTACTOR DE SEGURIDAD CALDERINI															
MB K&H	TELELUTTORE BOLLER	BOLLER CONTACTOR	TELELUTTEUR SURCHAUFFEUR	FERNSCHALTER DES BOLLERS	CONTACTOR CALDERINI															
MV	TELELUTTORE VASCA	TANK CONTACTOR	TELELUTTEUR CUVE	FERNSCHALTER DER TANK	CONTACTOR CUBA															
MV1	TELELUTTORE POMPA LAVAGGIO 1	PUMP CONTACTOR TANK 1	TELELUTTEUR POMPE CUVE 1	FERNSCHALTER DER WASCHPUMPE 1	CONTACTOR BOMBA LAVADO 1															
MV2	TELELUTTORE POMPA LAVAGGIO 2	PUMP CONTACTOR TANK 2	TELELUTTEUR POMPE CUVE 2	FERNSCHALTER DER WASCHPUMPE 2	CONTACTOR BOMBA LAVADO 2															
MV3	TELELUTTORE POMPA ALIMENTO PRESSIONE	BOOSTER PUMP CONTACTOR	SURPRESSEUR TELELUTTEUR	FERNSCHALTER DER WASCHPUMPE	CONTACTOR BOMBA ALIMENTO DE PRESSIONE															
MV6	TELELUTTORE MOTORE GESTO	RACK MOTOR CONTACTOR	TELELUTTEUR MOTEUR PAUMER	FERNSCHALTER DES KOMBIMOTORS	CONTACTOR DE MOTOR GESTO															
MV7	TELELUTTORE MOTORE ASPIRATORE	STEAM CONDENSER CONTACTOR	TELELUTTEUR ASPIRATEUR MOTEUR	FERNSCHALTER DES DAMPKONDENSATORS	CONTACTOR DE MOTOR EXTRACTOR															
MVZ	MOTORE TIMER	TIMER MOTOR	MOTEUR PROGRAMMATEUR	TIMERMOTOR	MOTOR TIMER															
MVZV	MOTORE TIMER VELOCE	FAST TIMER MOTOR	MOTEUR PROGRAMMATEUR A GRANDE VITESSE	SCHNELLTHERMOTOR	MOTOR TIMER RAPIDO															
M1	POMPA LAVAGGIO 1	PUMP TANK 1	POMPE CUVE 1	WASCHPUMPE 1	BOMBA DE LAVADO 1															
M2	POMPA LAVAGGIO 2	PUMP TANK 2	POMPE CUVE 2	WASCHPUMPE 2	BOMBA DE LAVADO 2															
M3	POMPA ALIMENTO PRESSIONE	BOOSTER PUMP	POMPE ALIMENTATION PRESSION	NACHSPULPUMPE	BOMBA ALIMENTO DE PRESSIONE															
M4	POMPA SCARICO	DRAIN PUMP	POMPE DE VIDANGE	LAUGERPUMPE	BOMBA DE DESCARGUE															
M5	DOSATORE DETERGENTE ELETTRICO	ELECTRIC DETERGENT PUMP	DOSEUR ELECTRIQUE DETERGENT	DOSENGERAT	DOSIFICADOR DE JABON ELECTRICO															
M6	MOTORE GESTO	RACK MOTOR	MOTEUR PAUMER	KOMBIMOTOR	MOTOR GESTO															
M7	MOTORE ASPIRATORE	STEM CONDENSER	MOTEUR D'ASPIRATION	DAMPFKONDENSATOR	MOTOR ASPIRADOR															
M8	POMPA LIFT	PUMP LIFT	POMPE LIFT	HAUPTLIFT	BOMBA LIFT															
O1	INTERUTTORE ON/OFF	MAIN SWITCH	INTERUTTEUR GENERAL	HAUPTSCHALTER	INTERUTTOR GENERAL															
RB	RESISTENZA BOLLER	BOLLER HEATING ELEMENT	RESISTANCE SURCHAUFFEUR	BOLLERHEIZUNG	RESISTENCIA CALDERINI															
RV	RESISTENZA VASCA	TANK HEATING ELEMENT	RESISTANCE CUVE	TANKHEIZUNG	RESISTENCIA CUBA															
S1	PULSANTE START CICLO	CYCLE SWITCH	BOUTON DEMARRER	START-TASTE	BOTON DE CICLO															
S2	PULSANTE DEPURAZIONE	REGENERATION CYCLE SWITCH	BOUTON REGENERATION	REGENERATION-TASTE	BOTON DE DEPURACION															
S3	PULSANTE SCARICO	DRAIN PUMP SWITCH	BOUTON POMPE DE VIDANGE	ENTLEERUNGSPUMPE-TASTE	BOTON DE DESCARGA															
S4	PULSANTE INCREMENTA	BUTTON INCREASE	BOUTON AUGMENTE	ERHOHUNG-TASTE	BOTON DE AUMENTO															
S5	PULSANTE DECREMENTA	BUTTON DECREASE	BOUTON DIMINUE	VERMINDERUNG-TASTE	BOTON DE DECREMENTO															
S6	PULSANTE RISC. FREDDO	RINSE COLD WATER SWITCH	BOUTON DE RINÇAGE FROID	KALTSPÜLUNG-TASTE	BOTON ELIQUAE FRIO															
S7	PULSANTE CICLO INFINITO	UNLIMITED CYCLE PUSH BUTTON	BOUTON CYCLE SANS ARRÊT	PAUSLOSE ZYKLUS-START-TASTE	BOTON DE CICLO LIMITADO															
S8	PULSANTE PROGRAMMAZIONE	PROGRAMMATION SWITCH	BOUTON PROGRAMMATION	PROGRAMMSCHALTER	BOTON DE PROGRAMACION															
S9	PULSANTE INFO	INFO BUTTON	BOUTON INFORMATION	INFORMATION	BOTON INFORMACION															
SL	SENSORE LIVELLO VASCA	LEVEL TANK SENSOR	PRESSOSTAT CUVE	TANKNIVEAUSENSOR	SENSOR DE NIVEL CUBA															
SL1	SENSORE LIVELLO BOLLER	PRESSURE SWITCH BOLLER	PRESSOSTAT BOLLER	BOLLERNIVEAUSENSOR	SENSOR DE NIVEL CALDERINI															
SL2	SENSORE LIVELLO BREAK TANK	BREAK TANK LEVEL SENSOR	CAPTEUR DE NIVEAU BREAK TANK	NIVEAUSENSOR FÜR BREAK TANK	SENSOR DE NIVEL BREAK TANK															
SL3	SENSORE LIVELLO SICUREZZA	SECURITY LEVEL SENSOR	CAPTEUR DE NIVEAU DE SECURITE	SICHERHEITSNIVEAUSENSOR	SENSOR DE NIVEL SEGURIDAD															
SL4	SENSORE LIVELLO DETERGIVO	LEVEL DETERGENT SENSOR	CAPTEUR DE NIVEAU PRODUIT LAVAGE	NIVEAUSENSOR FÜR WASCHEMITTEL	SENSOR DE NIVEL DOSIFICADOR DE ABRILLANTADOR															
SL5	SENSORE LIVELLO BRILLANTANTE	LEVEL RINSE SENSOR	CAPTEUR DE NIVEAU RINÇAGE	NIVEAUSENSOR FÜR SPÜLMITTEL	SENSOR DE NIVEL DOSIFICADOR DE ABRILLANTADOR															
SL6	SENSORE LIVELLO SALE	SALT LEVEL	CAPTEUR DE NIVEAU DU SEL	NIVEAUSENSOR FÜR SALZ	SENSOR DE NIVEL SAL															
SL8	SENSORE LIVELLO TANK LIFT	LEVEL LIFT TANK SENSOR	CAPTEUR DE NIVEAU TANK LIFT	NIVEAUSENSOR FÜR LIFT TANK	SENSOR DE NIVEL LIFT TANK															
SL8	SENSORE LIVELLO BREAK TANK	LEVEL BREAK TANK SENSOR	CAPTEUR DE NIVEAU BREAK TANK	NIVEAUSENSOR FÜR BREAK TANK	SENSOR DE NIVEL BREAK TANK															
S01	SENSORE FINECORSA PORTA	DOOR SAFETY SWITCH	CAPTEUR MICRO SECURITE PORTE	TÜR-KONTAKT	SENSOR FINAL DE CARRERA PUERTA															
S02	SENSORE FILTRO	FILTER SWITCH	CAPTEUR FILTRE	FILTER-SENSOR	SENSOR FILTRO															
SE1	TERMOSTATO SICUREZZA BOLLER 1	SAFETY THERMOSTAT BOLLER	THERMOSTAT BOLLER DE SECURITE	SICHERHEITS-THERMOSTAT DES BOLLERS 1	TERMOSTATO DE SEGURIDAD CALDERINI 1															
SE2	TERMOSTATO SICUREZZA VASCA 1	SAFETY THERMOSTAT TANK 1	THERMOSTAT DE SECURITE CUVE 1	SICHERHEITS-THERMOSTAT DER TANK 1	TERMOSTATO DE SEGURIDAD TANK 1															
SE10	TERMOSTATO DI SICUREZZA VASCA 1	SAFETY TANK THERMOSTAT	THERMOSTAT DE SECURITE CUVE	SICHERHEITS-THERMOSTAT DER TANK	TERMOSTATO DE SEGURIDAD TANK 1															
ST1	TERMOSTATO BOLLER 1	BOLLER THERMOSTAT	THERMOSTAT SURCHAUFFEUR	BOLLERTHERMOSTAT 1	TERMOSTATO CALDERINI 1															
ST10	TERMOSTATO VASCA 1	TANK THERMOSTAT	THERMOSTAT CUVE	TANKTHERMOSTAT 1	TERMOSTATO CUBA 1															
TA4	TRASFORMATORE	TRANSFORMER	TRANSFORMATEUR	TRANSFORMATOR	TRANSFORMADOR															

L

REV. 01

REV./DATE 11/03/10

IMPIANTO / INSTALLATION

SCHEMA ELET.LAVASTOVIGLIE

TITOLO / TITLE

LEGENDA SIGLE / LEGEND

N. DIS. N. ARH.

FOGLIO 1

SEQUE FOLIOS 2

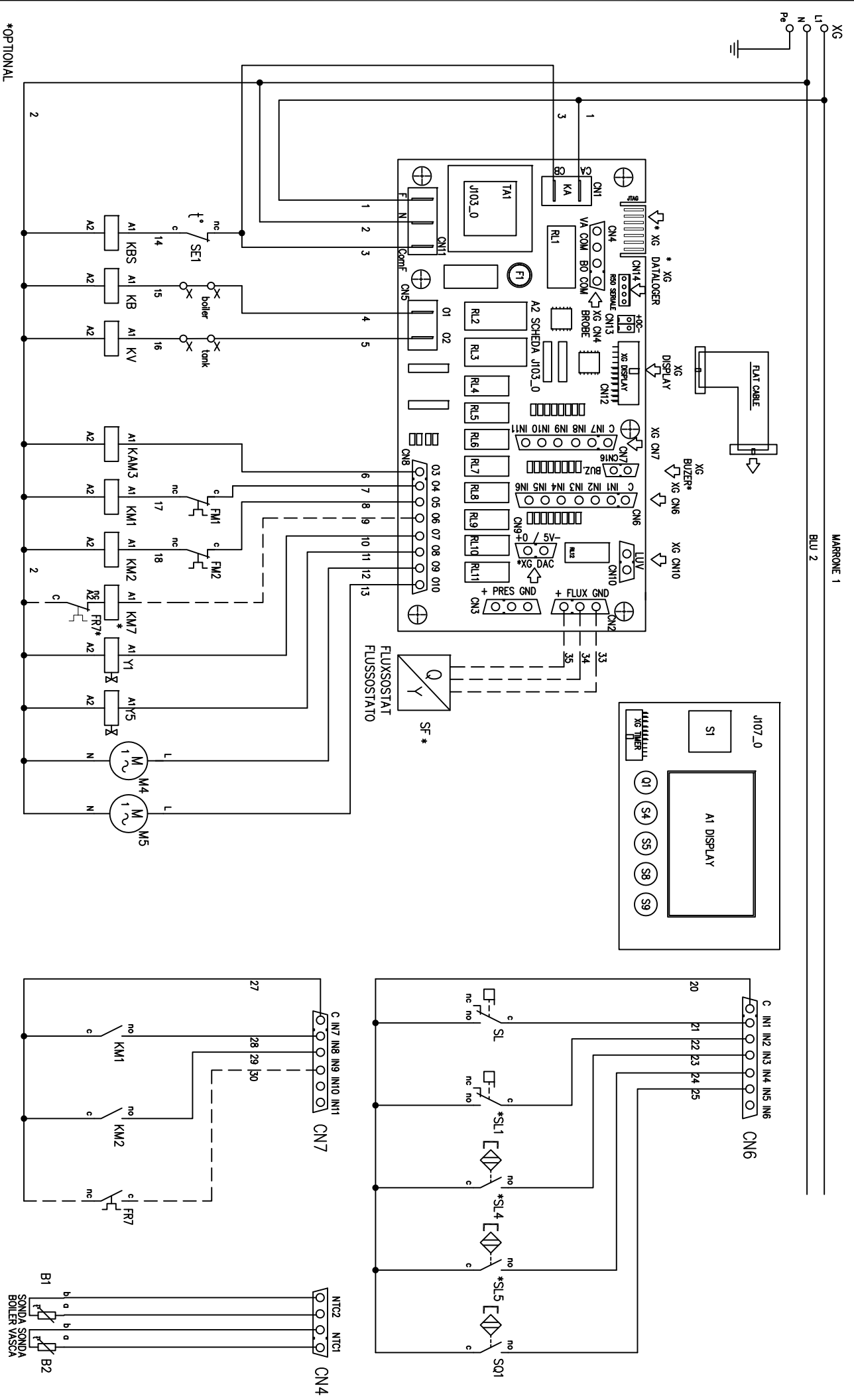
COD. DOC. leggenda new sottobanco 40003

DATA EMISSIONE / DATE 06/10/2009

FOGLIO 1

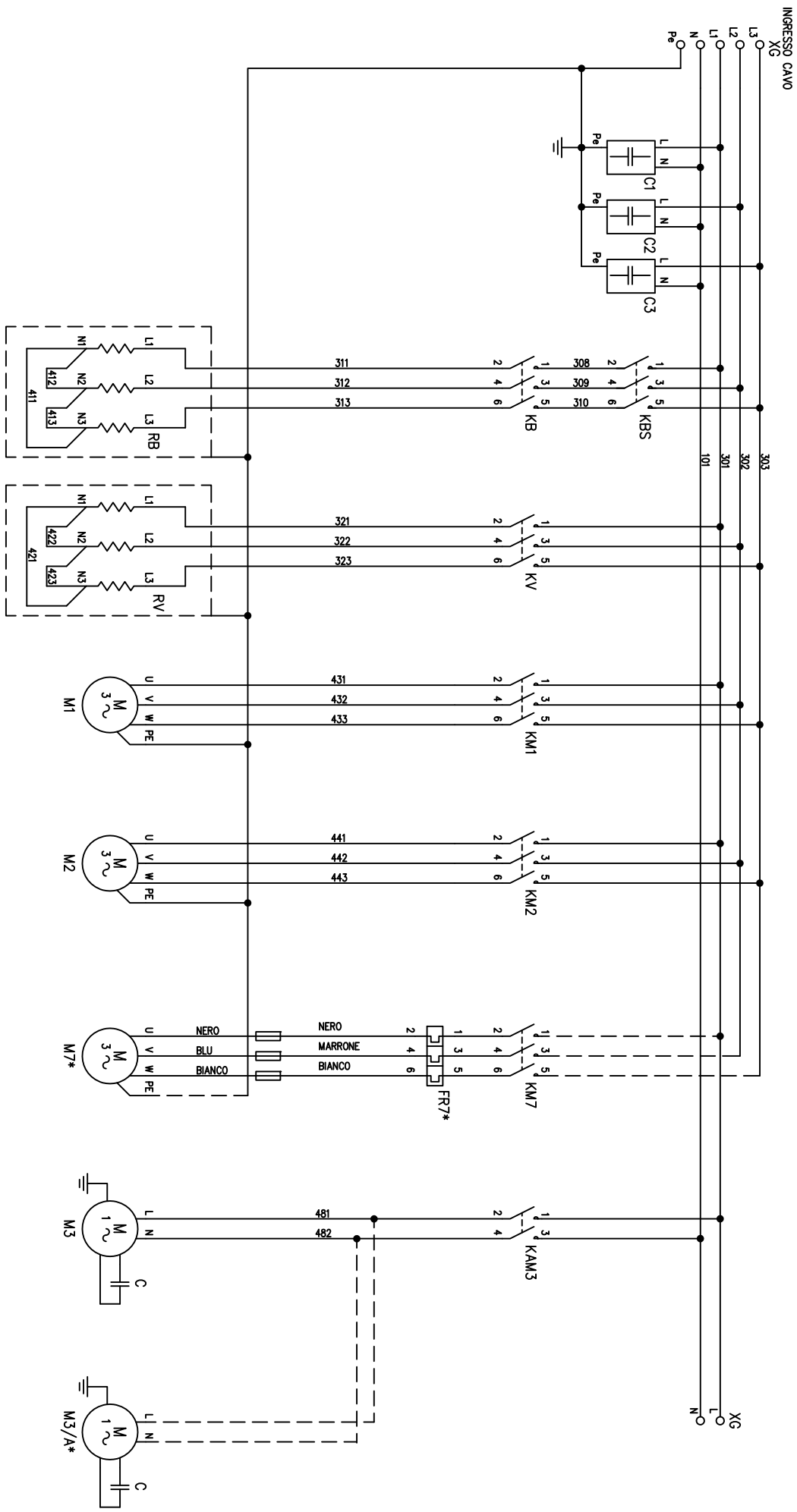
SEQUE FOLIOS 2

MARRONE 1
BLU 2



*OPTIONAL

REV. 00	REV./DATE	IMPIANTO / INSTALLATION	TITOLO / TITLE	N. DIS. / N. ARCH.	FOGLIO / PAGE	SEQUE / FOLLOWS
		SCHEMA ELET.LAVASTOVIGLIE	SCHEMA FUNZIONALE / ELECTRICAL DIAGRAM	28/02/2011	1	1
		220-230 V 1P 50/60HZ	411801	DATA EMISSIONE / DATE	TOT. FOGLI / TOT. PAGE	



*OPTIONAL

REV. 00	REV./DATE	IMPIANTO / INSTALLATION	TITOLO / TITLE	N. DIS. / N. ARCH.	FOGLIO PAGE 1
		380-415V 3P+N 50/60HZ	SCHEMA ELETT. DI POTENZA / ELECTRIC POWER DIAGRAM	DATA EMISSIONE / DATE	SEQUE FOLLOWS
				28/02/2011	TOT. FOGLI TOT. PAGE 1