



**PFA & PFC  
VENTLESS COUNTERTOP DEEP FRYERS  
REPLACEMENT PARTS LIST**

**EFFECTIVE AUGUST 24, 2023**

*Superseding All Previous Parts Lists.*

*The Company reserves the right to make substitution in the event that items specified are not available.*

*ERRORS: Descriptive and/or typographic errors are subject to correction.*

---

**PERFECT FRY COMPANY**

42 Allen Martin Drive, Essex Junction, Vermont 05452 USA Telephone: (802) 658-6600 Fax: (802) 860-3732  
[www.perfectfry.com](http://www.perfectfry.com)

*P/N 84219 Rev B (8/23)*

**WARNING**

DO NOT store or use gasoline or other flammable vapors and liquids in the vicinity of this or any other appliance.

**WARNING**

Improper installation, alteration, service or maintenance can cause property damage, injury or death. Read the installation, operating and maintenance instructions thoroughly before installing or servicing this appliance.

**WARNING**

Installation, maintenance and repairs should be performed by a Perfect Fry Authorized Service and Parts (ASAP) company technician or other qualified personnel. Installation, maintenance or repairs by an unauthorized and unqualified personnel will void the warranty.

**WARNING**

Installation and all connections must be made according to national and local regulations and codes in force.

**WARNING**

A country approved all pole circuit breaker with a minimum open contact gap of 3mm must be used for proper installation. (CE countries)

**WARNING**

During the warranty period if a customer elects to use a non-original part or modifies an original part purchased from Perfect Fry and/or its Authorized Service and Parts (ASAP) companies, this warranty will be void. In addition, Perfect Fry and its affiliates will not be liable for any claims, damages or expenses incurred by the customer which arises directly or indirectly, in whole or in part, due to the installation of any modified part and/or received from an unauthorized service center.

**WARNING**

This appliance, when installed, must be electrically grounded in accordance with local codes, or in the absence of local codes, with the National Electrical Code, ANSI/NFPA 70, or the Canadian Electrical Code, CSA C22.2, as applicable.

**WARNING**

Adequate means must be provided to LIMIT the movement of this appliance without depending on the electrical cord connection. Single appliances equipped with legs must be stabilized by installing anchor straps. All appliances equipped with casters must be stabilized by installing restraining chains.

**WARNING**

This appliance is intended for professional use only and should be operated by fully trained and qualified personnel.

**WARNING**

If the supplied power cord is damaged, it must be replaced by a Perfect Fry Authorized Service and Parts (ASAP) company technician, or a similarly qualified person in order to avoid a hazard.

**WARNING**

The power supply must be disconnected before servicing, maintaining or cleaning this appliance.

**WARNING**

The appliance is NOT jet stream approved. DO NOT clean the appliance with a water jet.

**WARNING**

DO NOT attempt to move this appliance or transfer hot liquids from one container to another when the unit is at operating temperature or filled with hot liquids. Serious personal injury could result if skin comes in contact with the hot surfaces or liquids.

**WARNING**

DO NOT sit or stand on this appliance. Serious injury could result from slipping, falling or contact with hot surfaces or liquids.

**WARNING**

NEVER use the appliance as a step for cleaning or accessing the ventilation hood. Serious injury could result from slips, trips or from contacting hot surfaces or liquids.

**WARNING**

DO NOT use the appliance unless it is properly secured to a table, stand or freezer / refrigerated base suited to handle the weight of the entire appliance.

**WARNING**

DO NOT operate appliance unless all panels and access covers are attached correctly.

**WARNING**

It is recommended that this appliance be inspected by a qualified service technician for proper performance and operation on a yearly basis.

# TABLE OF CONTENTS

PFA MODEL .....	4
PFC MODEL .....	6
PERFECT FRY FILTER AREA .....	8
PFA OIL VAT ASSEMBLY .....	10
PFC OIL VAT ASSEMBLY .....	11
PFA DOOR/DRAWER AREA .....	12
PFC DOOR .....	13
PERFECT FRY ELEMENT LIFT .....	14
PFA 3 PHASE .....	15
PFA ELECTRICAL CAVITY .....	16
PFC ELECTRICAL CAVITY .....	18
FIRE SYSTEM .....	20
OPTIONAL PERFECT FILTER .....	23

**IMPORTANT FOR FUTURE REFERENCE**

Please complete this information and retain this manual for the life of the equipment:

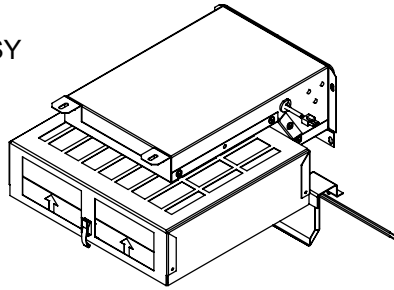
Model # \_\_\_\_\_

Serial # \_\_\_\_\_

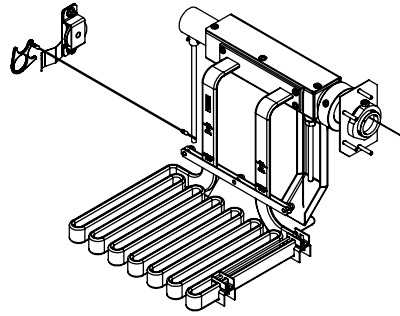
Date Purchased \_\_\_\_\_

# PFA MODEL

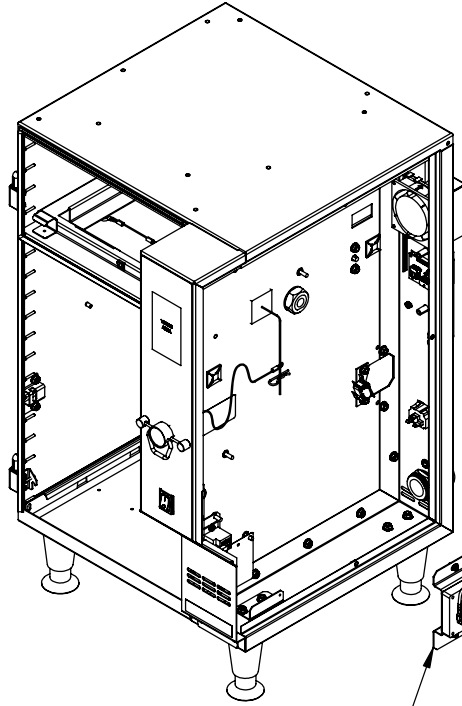
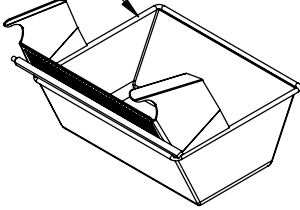
**FILTER ASSY**  
See page 8



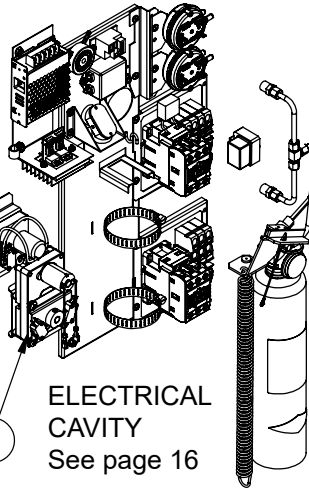
**ELEMENT LIFT**  
See page 14



1



**FE SYSTEM**  
See page 20

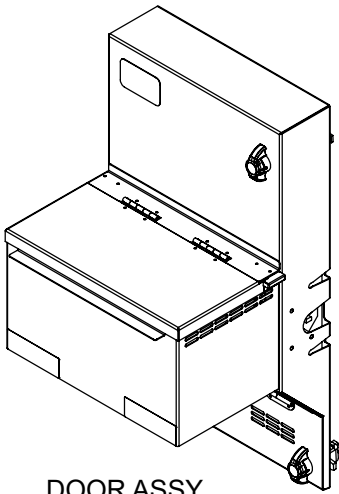


3

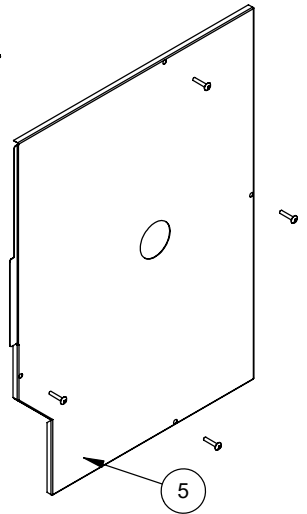
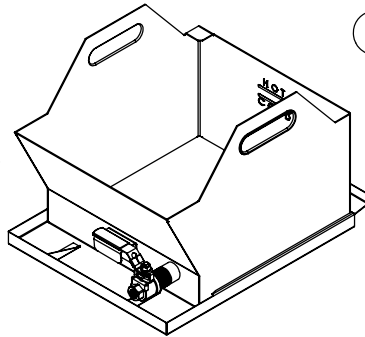
4

**ELECTRICAL CAVITY**  
See page 16

**DOOR ASSY**  
See page 12



**OIL VAT ASSY**  
See page 10

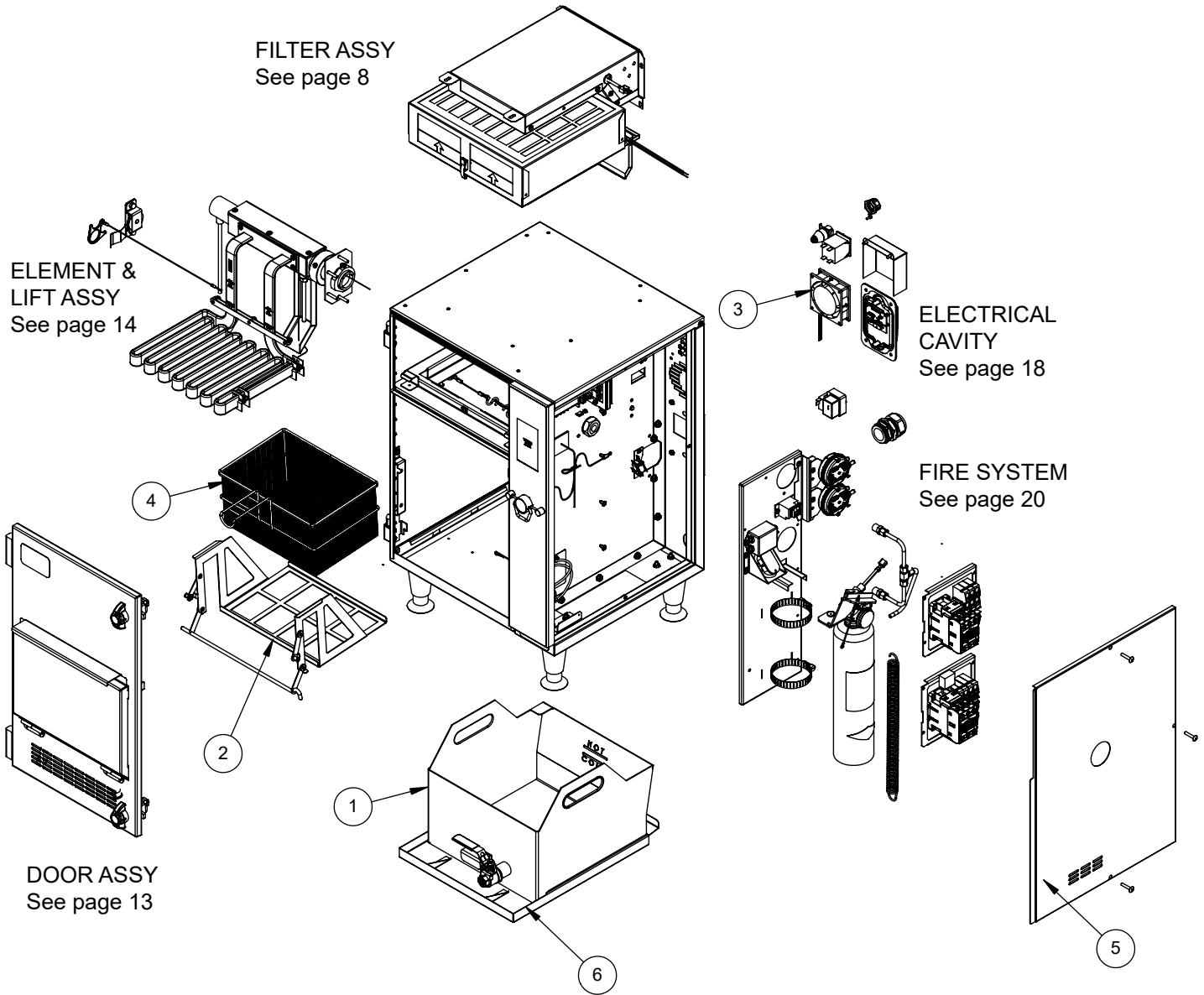


5

# PFA MODEL

Item	P/N	Description	QTY
1	83258	ASSEMBLY, BASKET PFA	1
NS	83423	KIT, CONTROL FAN	1
2	83971	CABINET, COVER SIDE ASSEMBLY PFA	1
3	84042	DRAWER MOTOR ASSEMBLY	1
4	84229	KIT PFA 2.0 BASKET MOTOR	1
NS	84046	KIT, FIRE ALARM WITH INSTRUCTIONS	1
NS	83425	KIT, FLAT MAGNETIC SWITCH	-
NS	83424	KIT, ROUND MAGNETIC SWITCH	-
NS	83216	MOLDED SILICONE DOOR GASKET	-
NS	84072	DRAIN HOSE, OIL VAT	-
NS	83271	HINGE, LIFT OFF	-
NS	83272	GASKET, MOTOR PFA	-
NS	83447	CORD, HL, FRONT	-
NS	83279	LEG, 4", PFA, FLANGED	-
NS	83554	ROCKER SWITCH, HEAT LAMP	-
NS	S0713	SILICONE 3OZ RTV	-
NS	83702	MINI MOLEX PIN REMOVAL TOOL	-
NS	84006	ASM, DRAWER & LID, PF	-
NS	84039	PANEL ASM, PFA	-

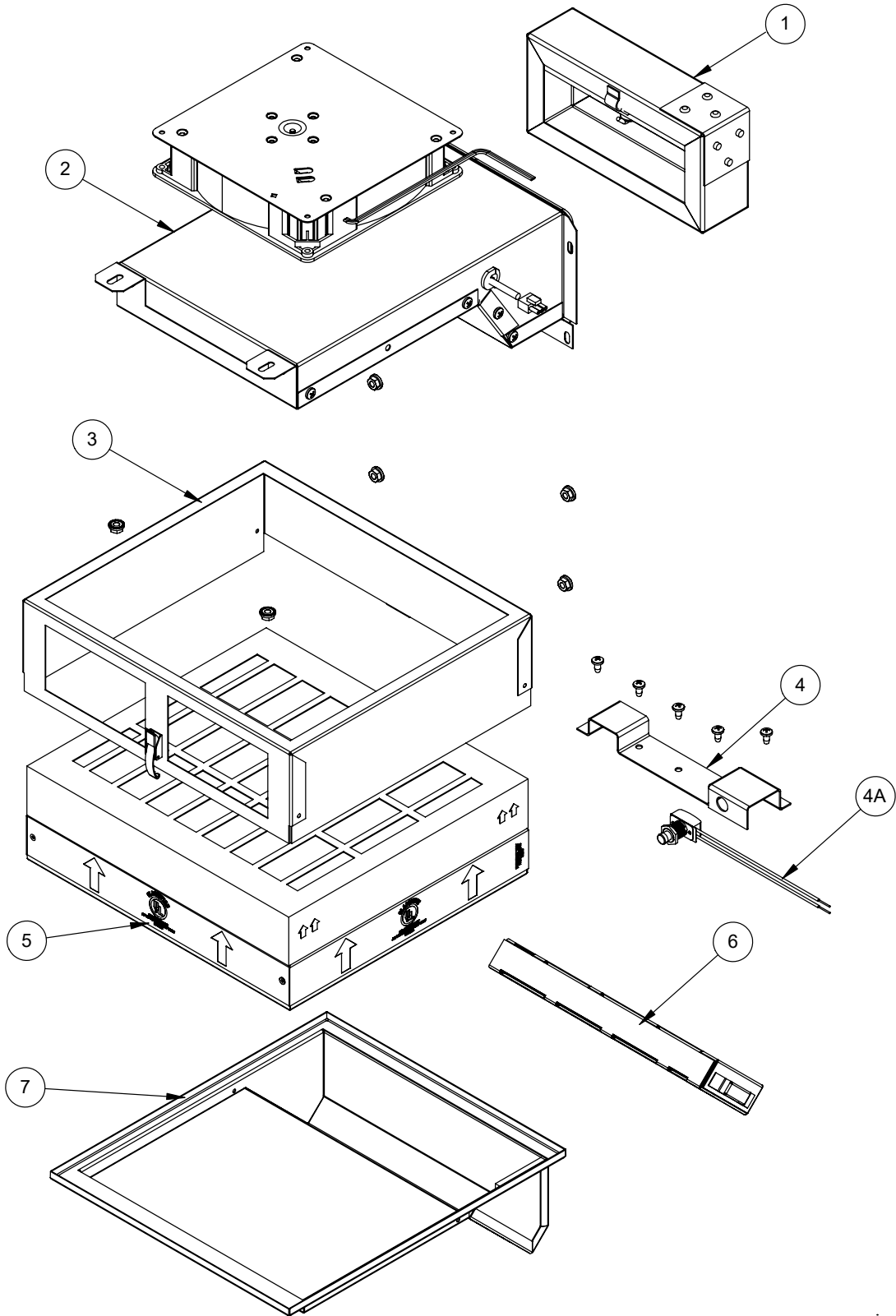
# PFC MODEL



# PFC MODEL

Item	P/N	Description	QTY
1	84143	ASSEMBLY, VAT PFC	1
2	84126	ASSEMBLY, BASKET LIFT PFC	1
3	83423	KIT, CONTROL FAN	1
4	83281	BASKET, EXTRA LARGE PFC	1
5	83858	CABINET, COVER SIDE ASSEMBLY PFC	1
6	84118	TRAY, SPILL PFC	1
NS	84180	MOTOR ASSEMBLY	-
NS	83649	KIT, COVER X-L BASKET	1
NS	83216	MOLDED SILICONE DOOR GASKET	-
NS	84072	DRAIN HOSE, OIL VAT	-
NS	83625	FILTER DRAIN HOSE ASSEMBLY	-
NS	S0713	SILICONE 3OZ RTV	-
NS	83702	MINI MOLEX PIN REMOVAL TOOL	-
NS	83425	KIT, FLAT MAGNETIC SWITCH	-
NS	83424	KIT, ROUND MAGNETIC SWITCH	-

# PERFECT FRY FILTER AREA

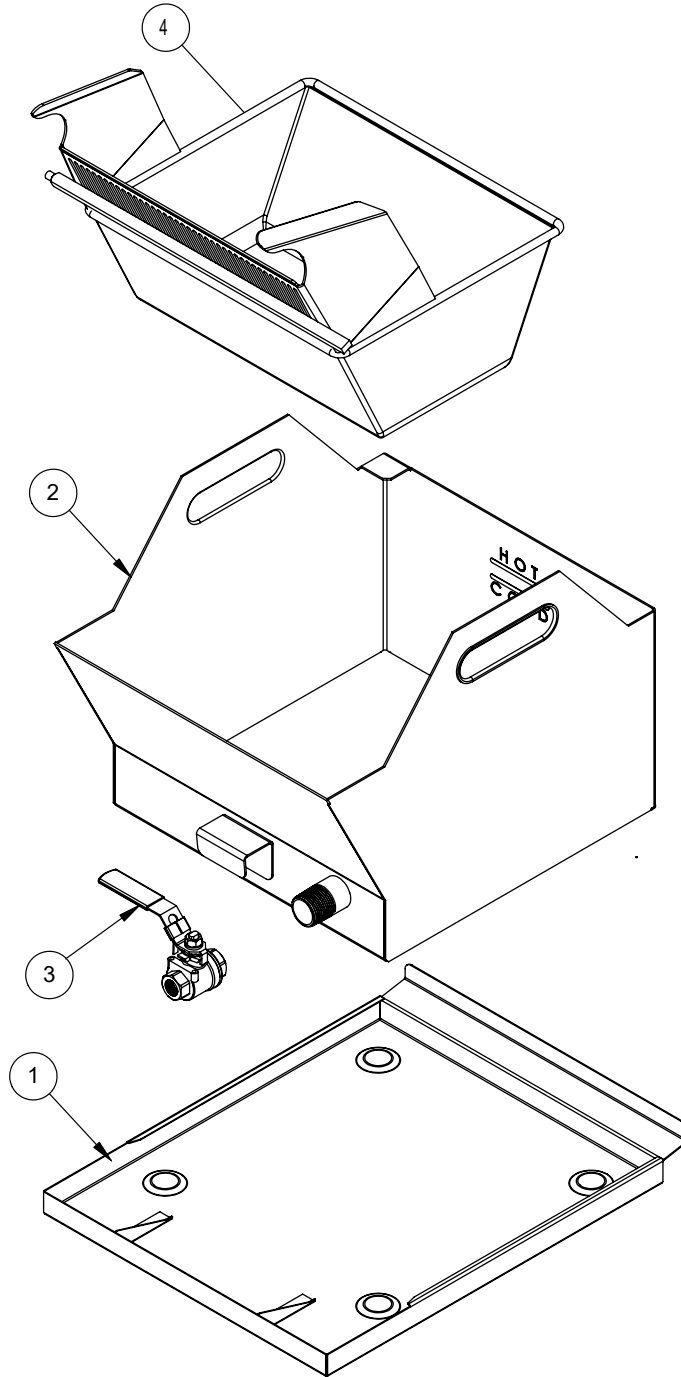




# PERFECT FRY FILTER AREA

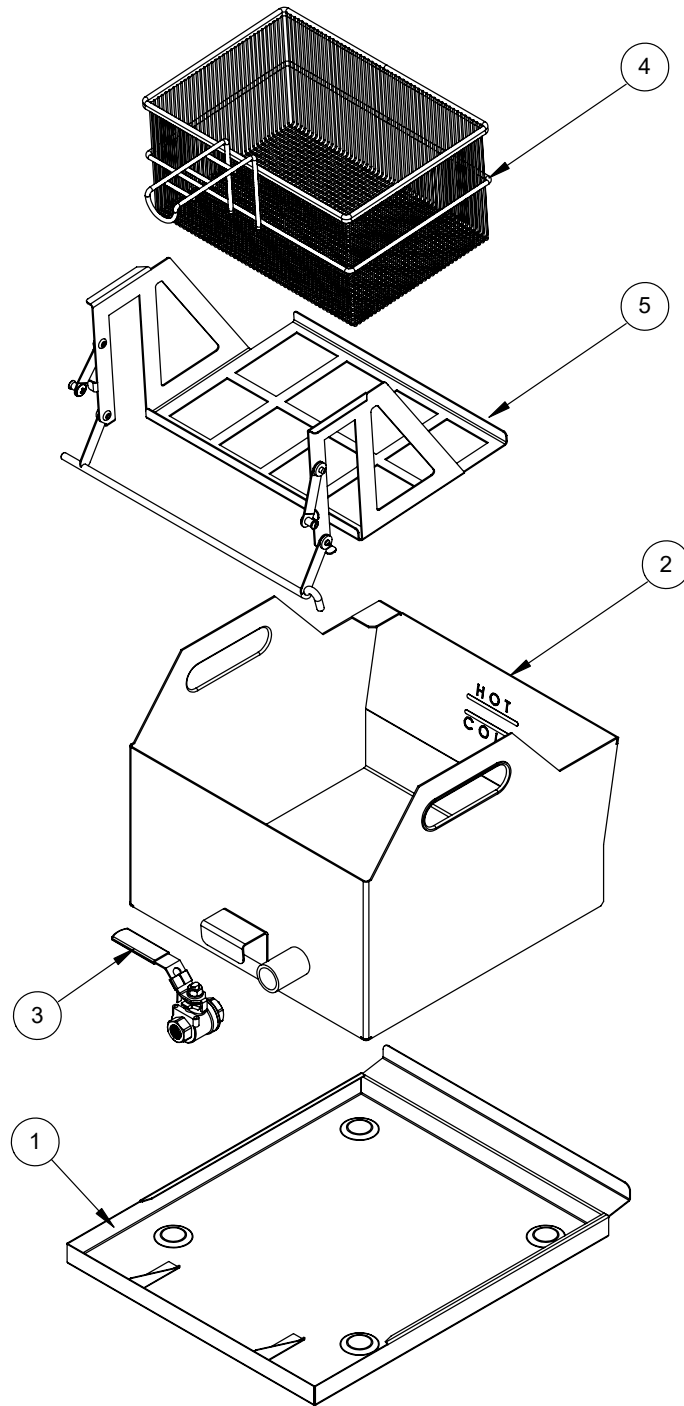
Item	P/N	Description	QTY
1	83252	DAMPER, FIRE ACTUATED	1
2	84149	ASSEMBLY, AIRFLOW MODULE	1
3	83909	BRACKET, FILTER CAGE	1
4	83908	ASSEMBLY, AIR FILTER SWITCH	1
4A	83262	SWITCH, AIR FILTER	1
5	83902	2 STAGE FILTER	1
6	83251	ASSEMBLY, GREASE FILTER	1
7	84000	TRAY, GREASE FILTER	1
NS	83210	1/8" ID PVC TUBING	-
NS	83255	RECEPTACLE, JR 3 PIN	-

# PFA OIL VAT ASSEMBLY



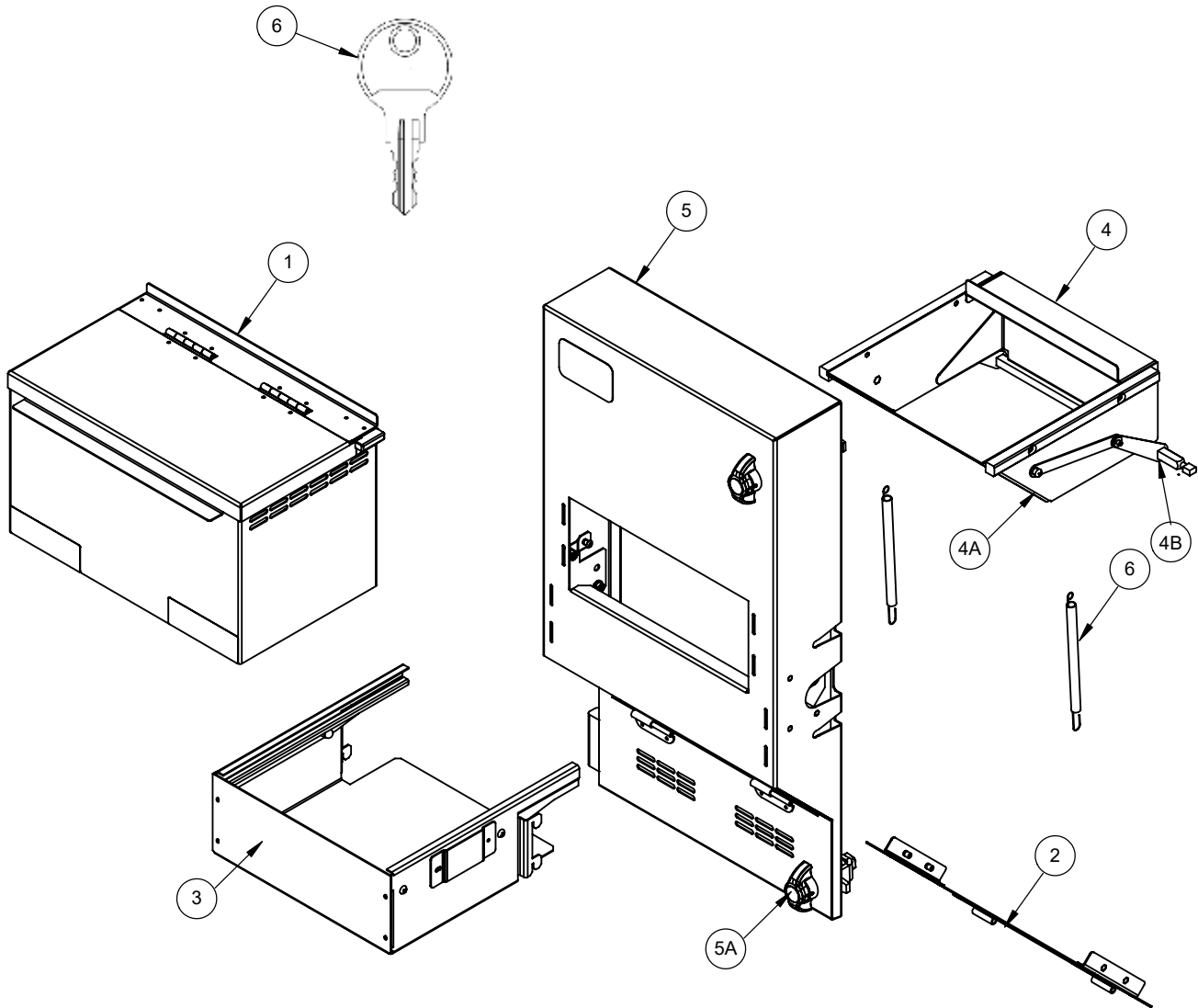
Item	P/N	Description	QTY
1	84118	TRAY, SPILL PFA	1
2	84040	ASSEMBLY, VAT OIL 11 LITER	1
3	84215	VALVE, OIL MANUAL BALL SS	1
NS	84072	HOSE, OIL DRAINAGE	OPTION
4	83258	BASKET ASSEMBLY, PFA	1

# PFC OIL VAT ASSEMBLY



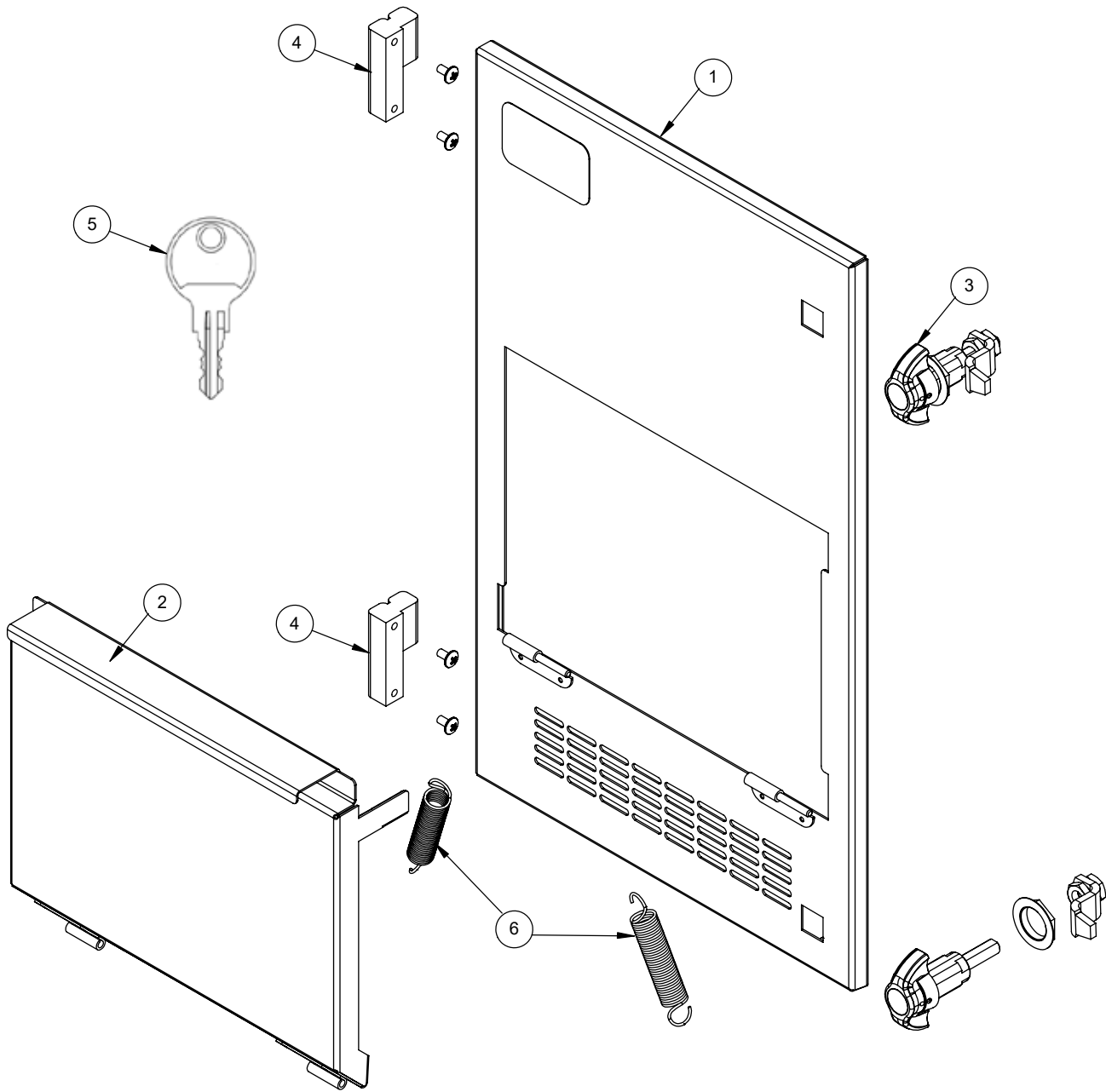
Item	P/N	Description	PFC QTY
1	84118	TRAY, SPILL PFC	1
2	84143	ASSEMBLY, VAT OIL PFC	1
3	84215	VALVE T, OIL MANUAL BALL SS.	-
NS	84072	HOSE, OIL DRAINAGE	OPTION
4	83218	PFC BASKET	1
5	84126	PFC BASKET LIFT	1

# PFA DOOR/DRAWER AREA



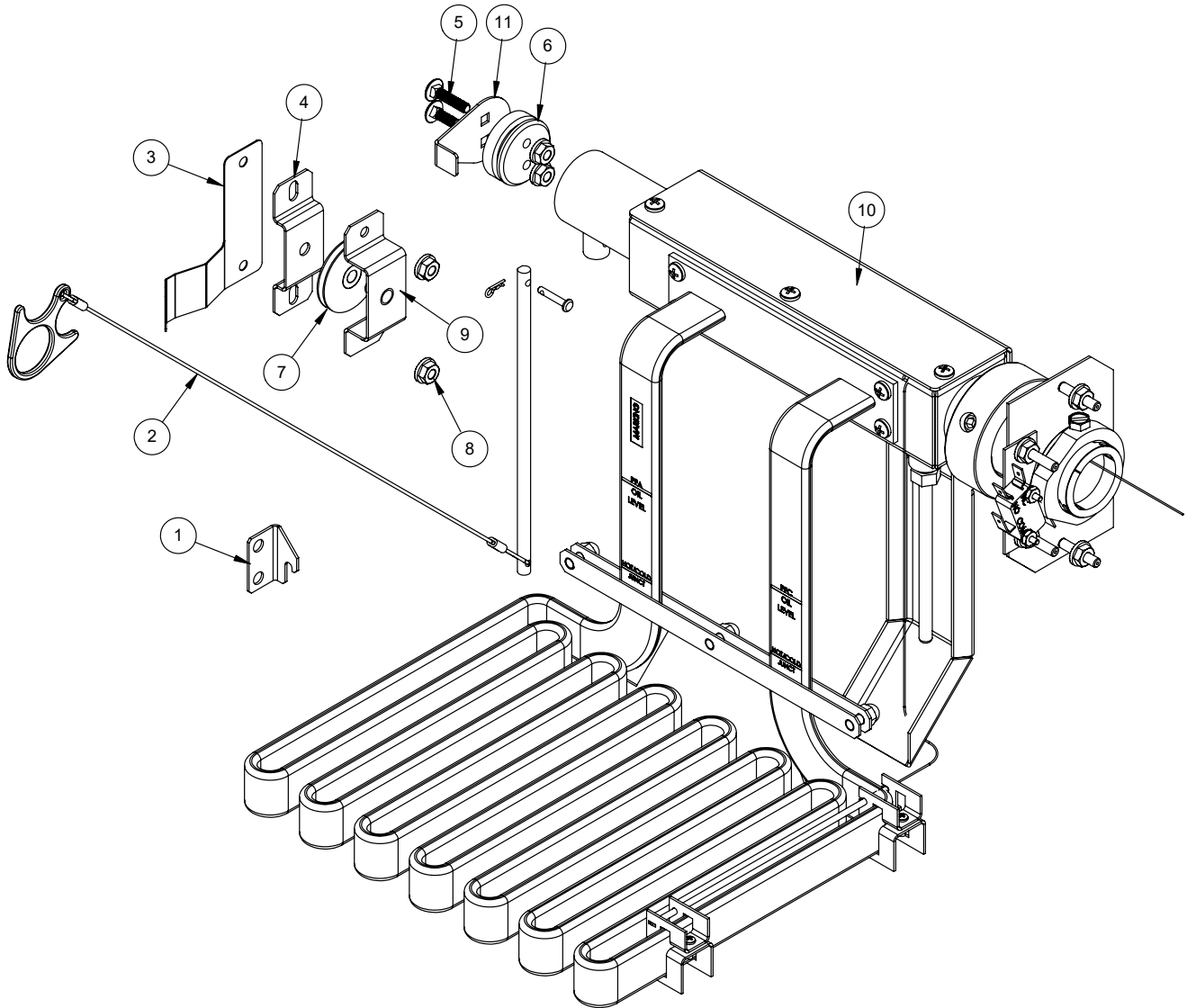
Item	P/N	Description	QTY
1	84006	ASSEMBLY, DRAWER AND LID	1
2	83921	RAMP BASKET PFA	1
3	83920	ASSEMBLY, DRAWER SLEEVE	1
4	83918	ASSEMBLY, SHOVEL DRAWER PFA	1
4A	83913	ASSEMBLY, SHOVEL	1
4B	83222	ARM UPPER DRAWER	2
5	83922	ASSEMBLY, FRONT PANEL PFA	1
5A	83059	LATCH, VICE WING NON-LOCKING	2
NS	83060	LATCH, VICE WING LOCKING	OPTION
NS	83066	SPRING, BASKET RAMP PFA	2
6	83848	SPARE LOCK KEY PERFECT FRY (PAIR)	1

# PFC DOOR



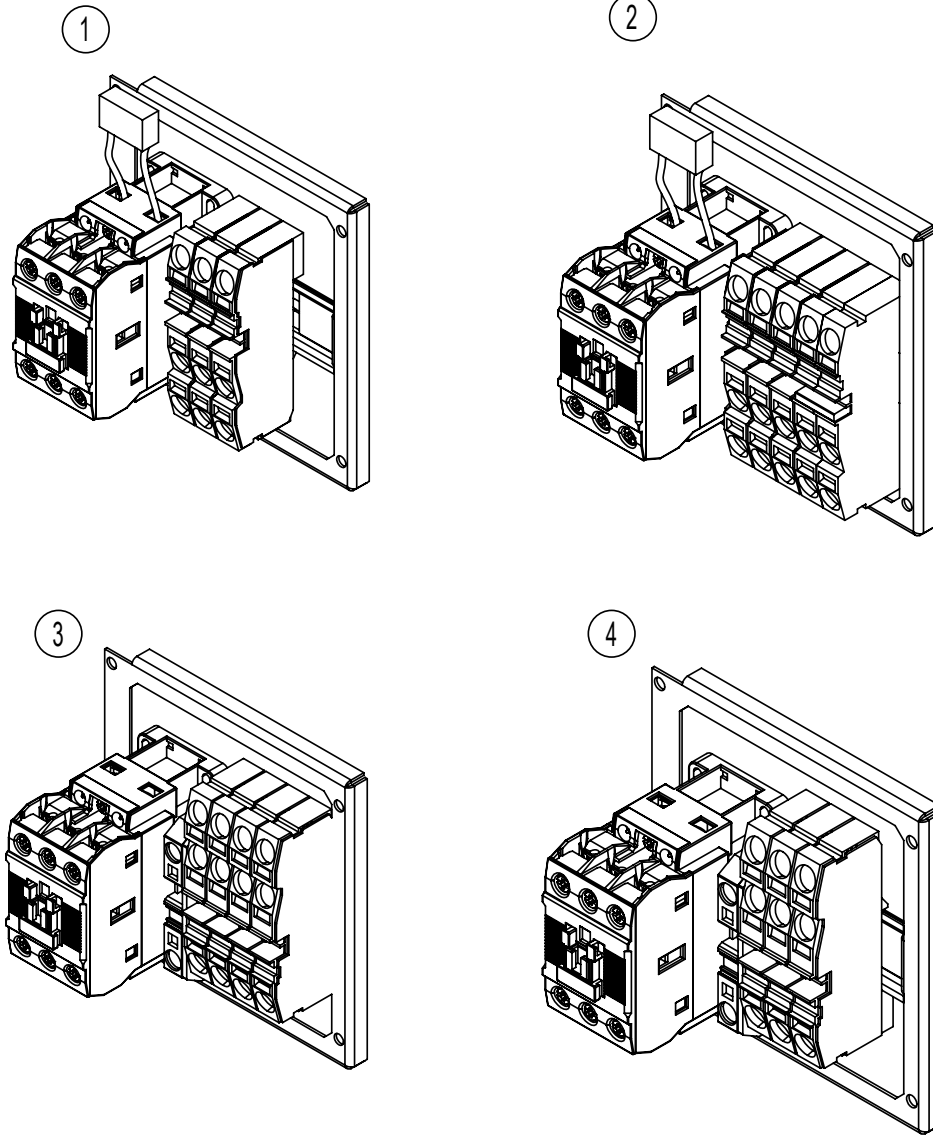
Item	P/N	Description	QTY
1	84177	PANEL FRONT COMPLETE	
2	84124	PANEL FRONT ASM	1
3	83059	LATCH, VICE WING NON-LOCKING	2
4	83271	HINGE, LIFT OFF	1
5	83848	SPARE LOCK KEY PERFECT FRY (PAIR)	1
NS	83060	LATCH, VICE WING LOCKING	OPTION
6	83698	KIT DOOR SPRING PFC (2pc)	1
NS	84160	DECAL, PF LOGO, SMALL	1

# PERFECT FRY ELEMENT LIFT



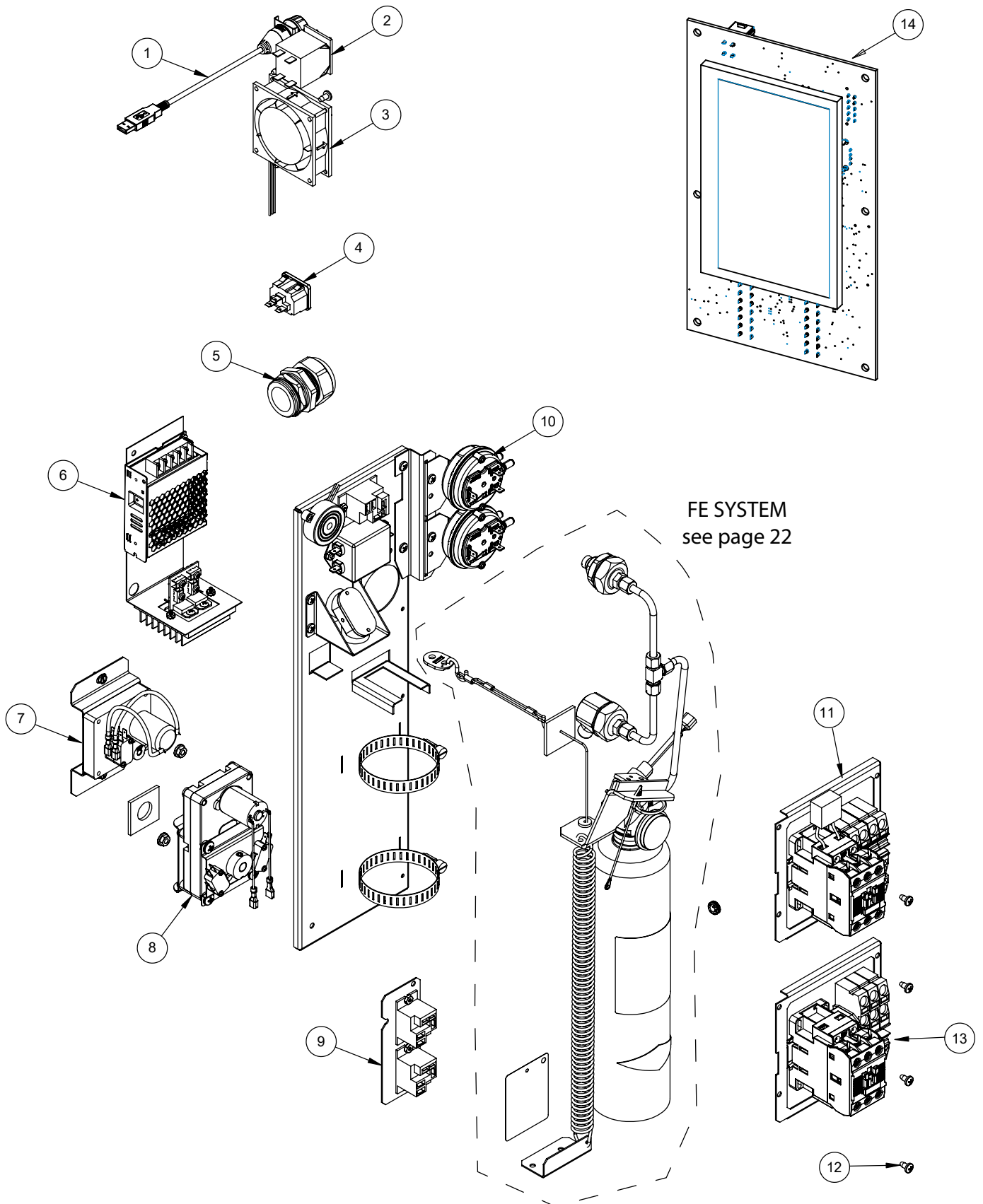
Item	P/N	Description	QTY
1	84652	HOOK, PULLY SYSTEM, PFA	1
2	84088	CABLE ASM, ELEMENT LIFT, PFA	1
3	84108	BRACKET, ELEMENT PULL RETAINER	1
4	84050	INNER PULLEY BRACKET, PFA	1
5	84020	BOLT, CARRIAGE, 10-32 X 7/8	1
6	83973	BUSHING, INTERNAL PIVOT	1
7	84056	PULLEY, ELEMENT LIFT, PFA	1
8	83600	NUT, 10-32, SERRATED FLANGE	4
9	84051	OUTER PULLEY BRACKET, PFA	1
10	84060	ELEMENT ASM, PIVOTING, 7.3KW 208V	1
10	84061	ELEMENT ASM, PIVOTING, 7.3KW 230V	
10	84062	ELEMENT ASM, PIVOTING, 5.0KW 230V	
10	84063	ELEMENT ASM, PIVOTING, 5.0KW 208V	
11	84054	STOP, PULLEY SYSTEM, PFA	1

# PFA/PFC 3 PHASE



Item	New P/N	Description	QTY
1	84074	TOP, HV PANEL, 3P DELTA, PF (K1)	
2	84076	TOP, HV PANEL, 3PH STAR, PF (K1)	
3	84077	BOTTOM, HV PANEL, 3PH STAR, PF	
4	84078	BOTTOM, HV PANEL, 1P/3P DELTA, PF	

# PFA ELECTRICAL CAVITY

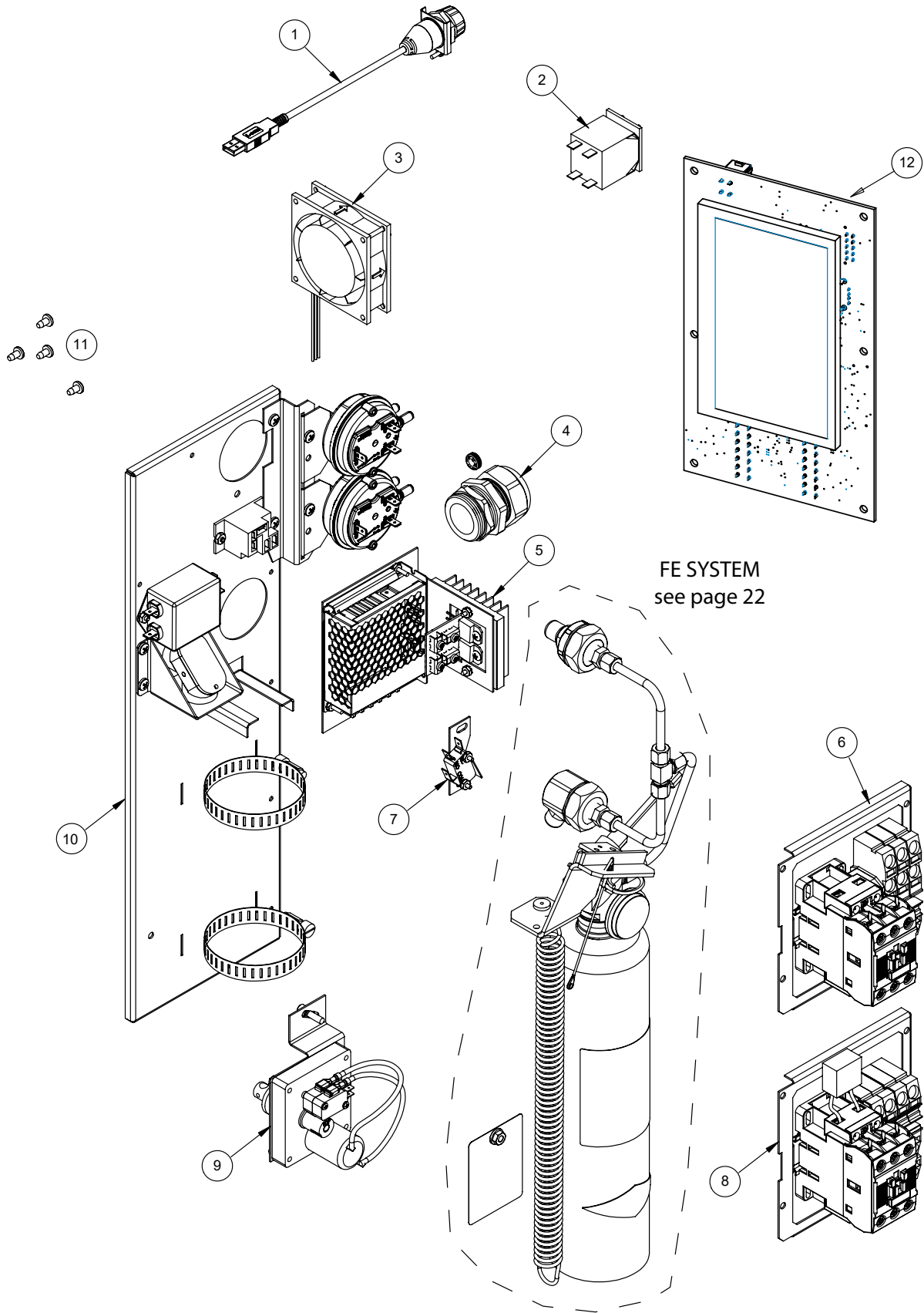




# PFA ELECTRICAL CAVITY

Item	P/N	Description	QTY
1	52160	USB CABLE	1
1	52161	COVER, USB, XR8G	1
2	39688	CIRCUIT BREAKER	1
3	83270	CONTROL COOLING FAN, 12V	1
4	83213	PLUG, HEAT LAMP	1
5	39940	CORD GRIP, 7" NPT X 0.071-0.098	1
6	84044	POWER SUPPLY ASSY, PFA	1
7	84042	MODULE, MOTOR, DRAWER, PFA	1
8	84041	MODULE, MOTOR, BASKET, PFA	1
9	84046	KIT, REMOTE ALARM, PFA	1
10	84043	PANEL ASSY, PFA FE	1
11	84075	TOP, HV PANEL, 1 PH, PF (K1)	1
12	4812	SCREW, MACH, #10 x 3/8	4
13	84078	BOTTOM, HV PANER, 1/P/3P DELTA, PF	1
14	84198	PRGM CTRL, PFA, 5000W	1
14	84199	PRGM CTRL, PFA, 7300W	1

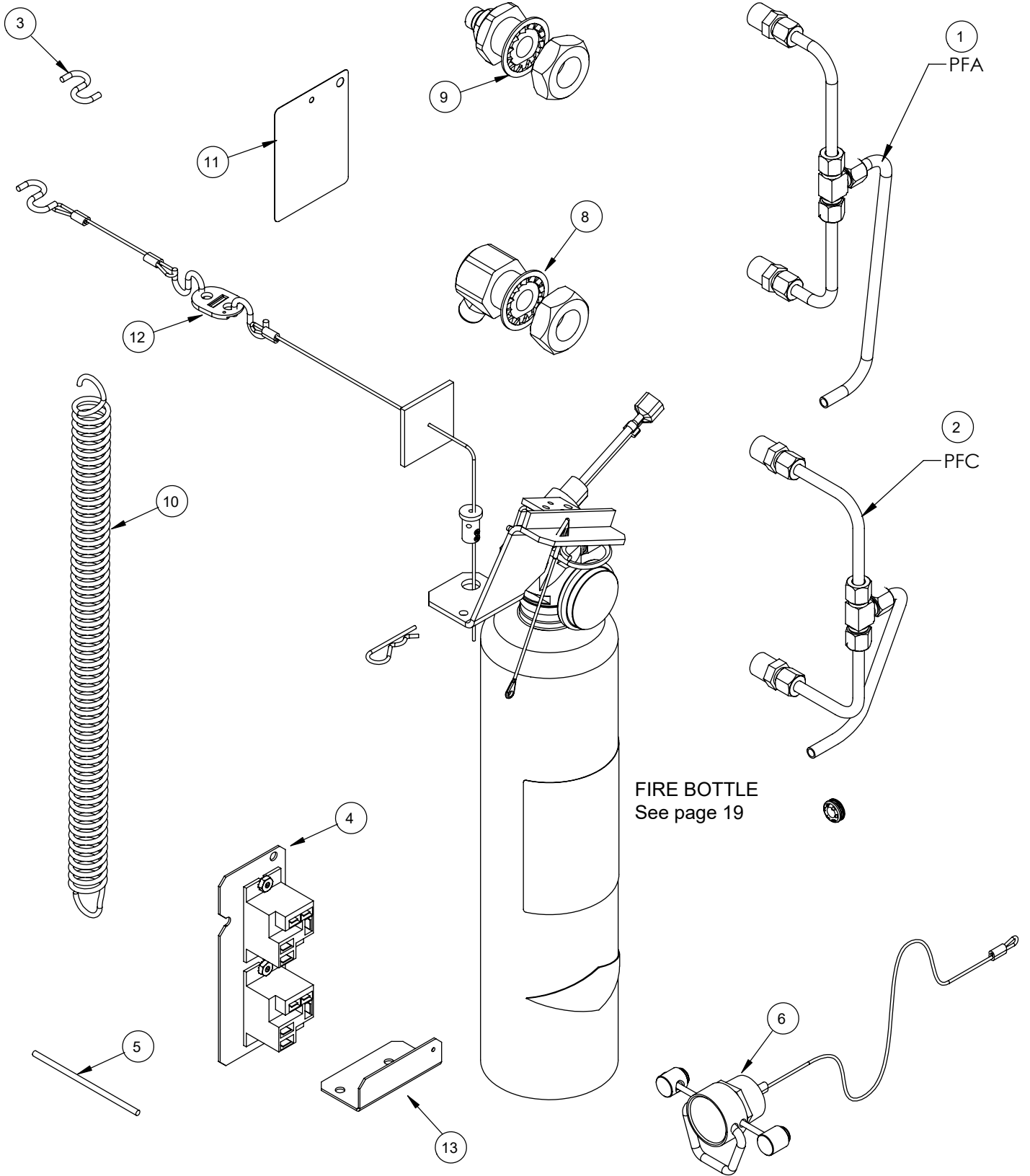
# PFC ELECTRICAL CAVITY



# PFC ELECTRICAL CAVITY

Item	P/N	Description	QTY
1	52161	COVER, USB, XR8G	1
1	52166	USB CABLE	1
2	39688	CIRCUIT BREAKER	1
3	83270	CONTROL COOLING FAN, 12V	1
4	39940	CORD GRIP, 7" NPT X 0.071-0.098	1
5	84183	PFC SSR & TOWER SUPPLY BRACKET	1
6	84078	BOTTOM, HV PANER, 1P/3P DELTA, PF	1
7	84192	ASM, ELEMENT POSITION SWITCH	1
8	84075	TOP, HV PANEL, 1 PH, PF (K1)	1
9	84180	PFC BASKET MOTOR	1
10	84176	PFC, FE PANEL ASM	1
11	4812	SCREW, MACH, #10 x 3/8	4
12	84196	PRGM CTRL, PFC, 5000W	1
12	84197	PRGM CTRL, PFC, 7300W	1

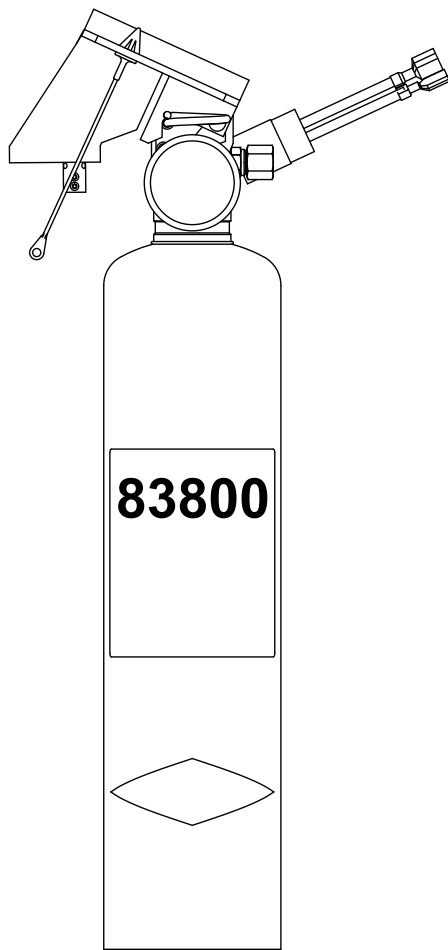
# FIRE SYSTEM



# FIRE SYSTEM

Item	P/N	Description	QTY
1	83972	WET CHEM DIST TALL EXT, PFA	-
2	84135	WET CHEM DIST TALL EXT, PFC	-
3	83088	S HOOK	-
4	84046	KIT, REMOTE ALARM, PFA	-
5	83091	BREAK ROD, RED, MANUAL PULL	-
6	83096	ASSY, MANUAL PULL WITH CABLE	-
8	83110	ASSY, LOWER NOZZLE, WET CHEM	-
9	83111	ASSY, UPPER NOZZLE, WET CHEM	-
10	83787	SPRING, FIRE MASTER	-
11	83350	FIREMASTER INSPECTION TAG	-
12	83658	LINK, FUSIBLE, 280°F	-
13	83946	BRACKET, SPRING	-

\* Per NAFPA 17A fusible links must be replaced every 6 months



3" Diameter

83807	<p><b>FIRE EXTINGUISHER REPLACEMENT AFTER DISCHARGE KIT</b>          This kit is used to replace new style fire extinguishers that have discharged in the event it can not be rebuilt and recharged by a local Amerex distributor. (Requires Fire Extinguisher P/N 83800)</p>
83804	<p><b>FIRE EXTINGUISHER RECHARGE KIT</b>          This kit is used to rebuild and recharge an existing new style fire extinguisher. To be done by a local Amerex dealer.</p>
83800	<p><b>FIRE EXTINGUISHER</b></p>

# OPTIONAL PERFECT FILTER



Item	P/N	Description	QTY
1	84080	PERFECT FILTER	1
2	84081	REPLACEMENT FILTERS, PERFECT FILTER (100x)	1
3	84082	OIL QUALITY SENSOR, FT440, HAND HELD	1
4	84083	OIL QUALITY SENSOR BOARD STORAGE BRACKET	1