



Client _____ Quantity _____
Project _____ Position _____

ROC 1100

Model: R110/100CFGB

Cod: MP01035115050

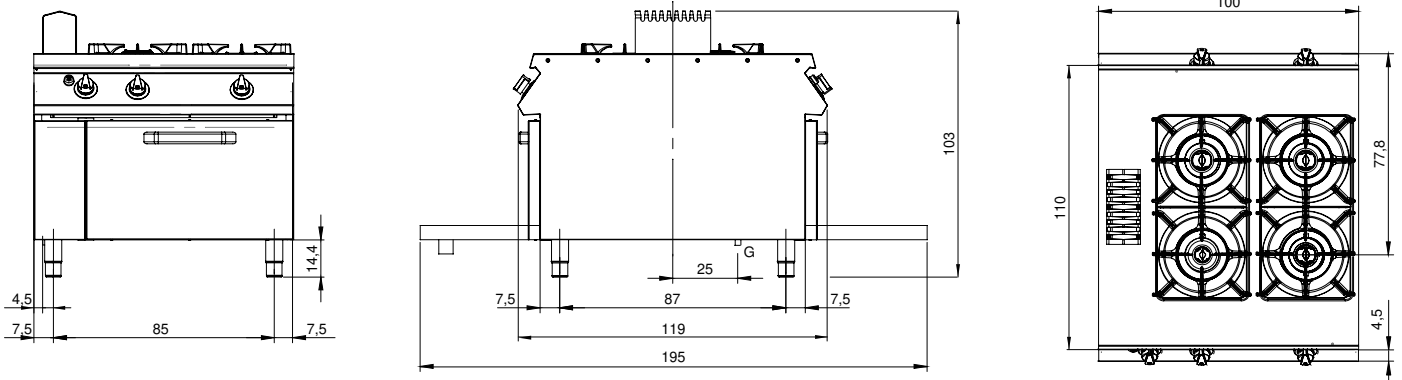
Technical data

Modularity:	Gas oven
Dimension (mm):	1000x1100x870
Oven dimension (mm):	540x1015x310
Total gas power (Kcal/h):	30955
Total gas power (kW):	36
Oven type:	Static oven
Oven power (kW):	10
Oven temperature range (°C):	95-300
Gas connection:	1/2"
Net volume (m3):	0,766
Packing dimensions (mm):	1280x1272x1274
Gross weight (kg):	125,4
Burner power 1 (kW):	5,5
Burner power 2 (kW):	7,5
Burner power 3 (kW):	7,5
Burner power 4 (kW):	5,5
Gross volume (m3):	2,074

Features

Burners:	Single and double crown cast iron burners with brass burner cap
Grill:	For single burner in cast iron or stainless steel (optional) dishwasher safe
Working top:	Rrealizzato in acciaio inox AISI 304 spessore 2 mm con bacinelle in acciaio inox
Knobs:	Made of aluminum with IPX5 water protection
Handles:	The brushed aluminum handles allow for a secure and sturdy grip with a ergonomic lines
Flue:	Made of AISI 304 stainless steel
Kit Gas:	Natural gas conversion kit 30/50 m/bar (tested with natural gas G20)

Technical draw



G: Gas connection 1/2"