



Client _____ Quantity _____
 Project _____ Position _____

ROC 1100

Model: R110/100FTE/CL/A

Cod: MP01375125011

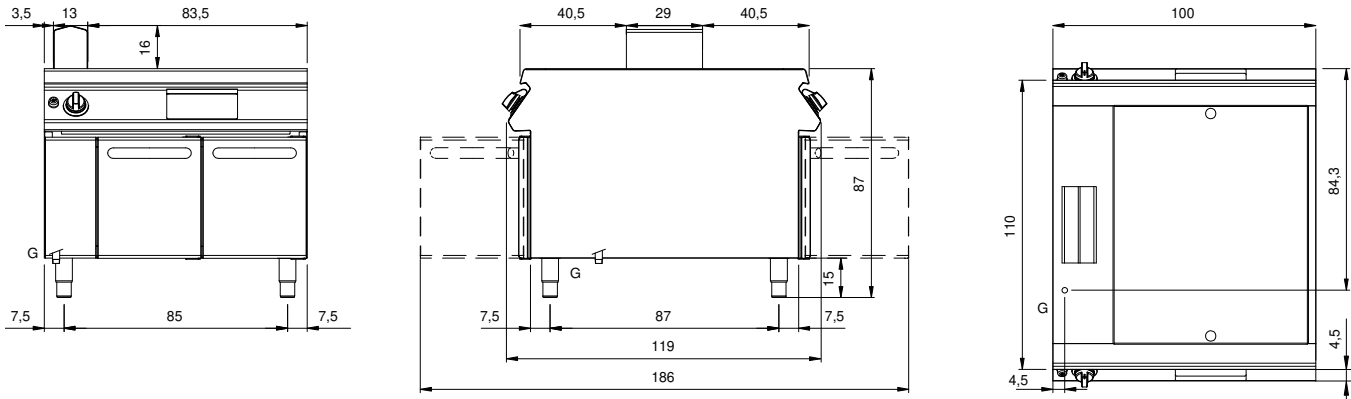
Technical data

Modularity:	On open cabinet
Dimension (mm):	1000x1100x870
Total electric power (kW):	15
Cooking zone dimensions 1 (LxD mm):	734x900
Electric power (V):	380-415
Ampere (A):	23
Phases:	3N
Cable section (mmq):	5G4
Frequency (Hz):	50-60
Net volume (m3):	0,957
Packing dimensions (mm):	1280x1272x1274
Gross volume (m3):	2,074

Features

Working top:	Rrealizzato in acciaio inox AISI 304 spessore 2 mm
Material of plate:	Cromo lucido
Plate finish:	Smooth
Knobs:	Made of aluminum with IPX5 water protection
Flue:	Made of AISI 304 stainless steel
Heating:	Armoured heating elements
Liquid collection container:	Removable and dishwasher safe
Plate:	Polished chromed plate
Upright Splash guard:	On two sides (optional)

Technical draw



E: Electric power