



Client _____ Quantity _____
Project _____ Position _____

ROC 1100

Model: R110/100FTG/L/A **Cod:** MP01375115001

Market:
Extra UE

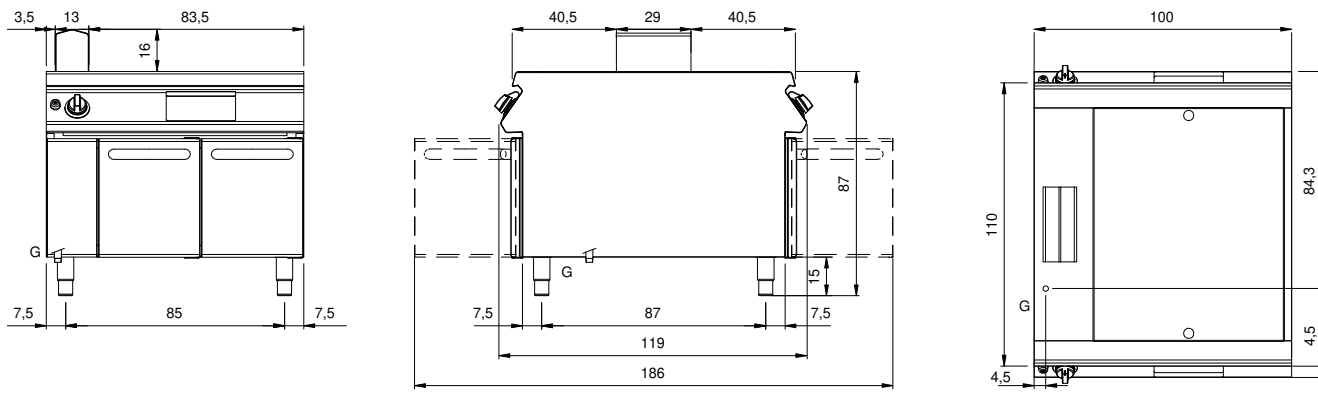
Technical data

Modularity:	On open cabinet
Dimension (mm):	1000x1100x870
Total gas power (Kcal/h):	12038
Total gas power (kW):	14
Cooking zone dimensions 1 (LxD mm):	734x900
Gas connection:	1/2"
Net volume (m3):	0,957
Packing dimensions (mm):	1280x1272x1274
Gross weight (kg):	212
Gross volume (m3):	2,074

Features

Working top:	Made of AISI 304 stainless steel with a thickness of 2 mm
Material of plate:	Mild steel
Plate finish:	Smooth
Knobs:	Made of aluminum with IPX5 water protection
Flue:	Made of AISI 304 stainless steel
Liquid collection container:	Removable and dishwasher safe
Plate:	In mild steel
Upright Splash guard:	On two sides (optional)
Kit Gas:	Natural gas conversion kit 30/50 m/bar (tested with natural gas G20)

Technical draw



G: Gas connection 1/2"