



Client \_\_\_\_\_ Quantity \_\_\_\_\_  
Project \_\_\_\_\_ Position \_\_\_\_\_

## ROC 1100

**Model:** R110/100FTG/L/P

**Cod:** MP01375115002

**Market:** Extra UE

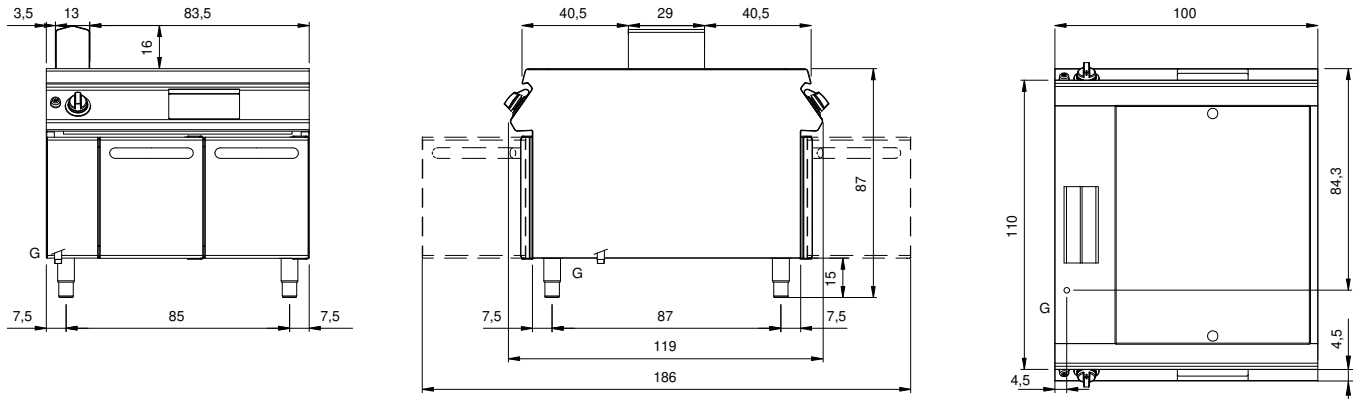
### Technical data

<b>Modularity:</b>	On cabinet with doors
<b>Dimension (mm):</b>	1000x1100x870
<b>Total gas power (Kcal/h):</b>	12038
<b>Total gas power (kW):</b>	14
<b>Cooking zone dimensions 1 (LxD mm):</b>	734x900
<b>Gas connection:</b>	1/2"
<b>Net volume (m3):</b>	0,957
<b>Packing dimensions (mm):</b>	1280x1272x1274
<b>Gross weight (kg):</b>	212
<b>Gross volume (m3):</b>	2,074

### Features

<b>Working top:</b>	Made of AISI 304 stainless steel with a thickness of 2 mm
<b>Material of plate:</b>	Mild steel
<b>Plate finish:</b>	Smooth
<b>Knobs:</b>	Made of aluminum with IPX5 water protection
<b>Handles:</b>	The brushed aluminum handles allow for a secure and sturdy grip with a ergonomic lines
<b>Flue:</b>	Made of AISI 304 stainless steel
<b>Liquid collection container:</b>	Removable and dishwasher safe
<b>Plate:</b>	In mild steel
<b>Upright Splash guard:</b>	On two sides (optional)
<b>Kit Gas:</b>	Natural gas conversion kit 30/50 m/bar (tested with natural gas G20)

Technical draw



G: Gas connection 1/2"