

Client \_\_\_\_\_ Quantity \_\_\_\_\_  
Project \_\_\_\_\_ Position \_\_\_\_\_



## ROC 1100

**Model:** R110/100PCEQ/P

**Cod:** MP01015125004

### Technical data

---

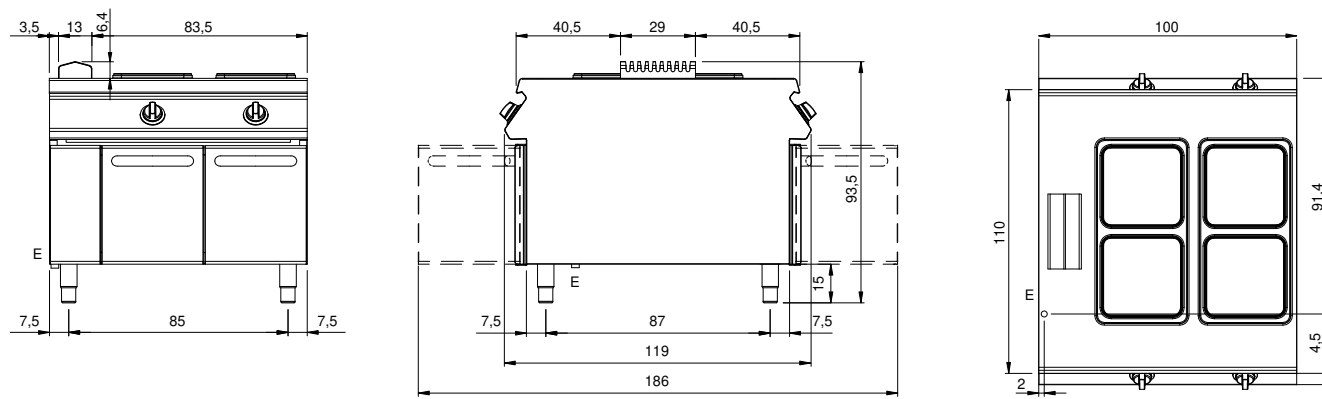
<b>Modularity:</b>	On cabinet with doors
<b>Dimension (mm):</b>	1000x1100x870
<b>Total electric power (kW):</b>	16
<b>Electric power (V):</b>	380-415
<b>Ampere (A):</b>	36,5
<b>Phases:</b>	3N
<b>Cable section (mmq):</b>	5G6
<b>Frequency (Hz):</b>	50-60
<b>Net volume (m3):</b>	0,957
<b>Packing dimensions (mm):</b>	1280x1272x1274
<b>Gross weight (kg):</b>	138
<b>Gross volume (m3):</b>	2,074

### Features

---

<b>Working top:</b>	Rrealizzato in acciaio inox AISI 304 spessore 2 mm
<b>Knobs:</b>	Made of aluminum with IPX5 water protection
<b>Handles:</b>	The brushed aluminum handles allow for a secure and sturdy grip with a ergonomic lines
<b>Flue:</b>	Made of AISI 304 stainless steel

**Technical draw**



E: Electric power