

Client _____ Quantity _____
 Project _____ Position _____



ROC 1100

Model: R110/100TPE/A

Cod: MP01055125001

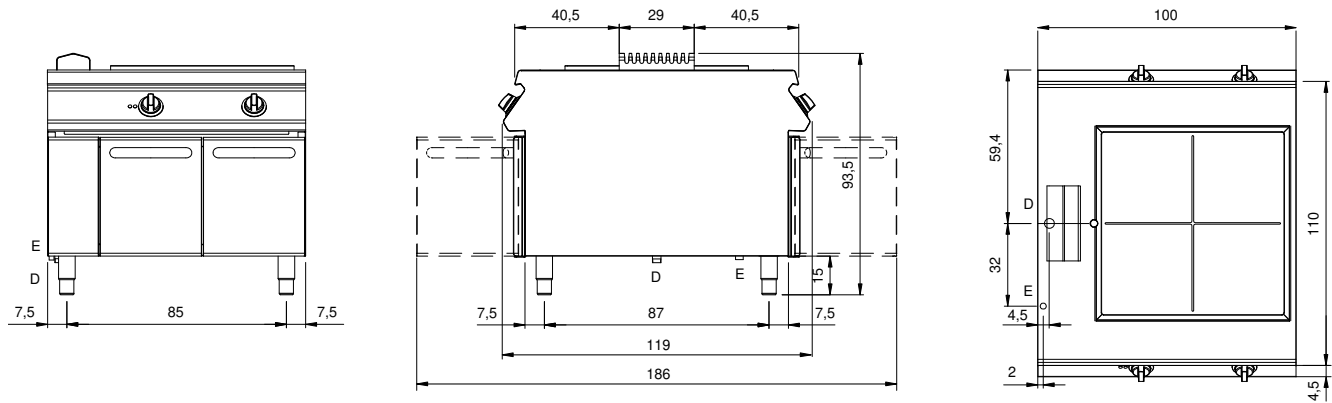
Technical data

Modularity:	On open cabinet
Dimension (mm):	1000x1100x870
Total electric power (kW):	13,6
Electric power (V):	380-415
Ampere (A):	31
Phases:	3N
Cable section (mmq):	5G6
Frequency (Hz):	50-60
Drain size:	1"
Net volume (m3):	0,957
Packing dimensions (mm):	1280x1272x1274
Gross weight (kg):	160
Gross volume (m3):	2,074

Features

Working top:	Rrealizzato in acciaio inox AISI 304 spessore 2 mm
Knobs:	Made of aluminum with IPX5 water protection
Flue:	Made of AISI 304 stainless steel

Technical draw



E: Electric power