



Client \_\_\_\_\_ Quantity \_\_\_\_\_  
 Project \_\_\_\_\_ Position \_\_\_\_\_

## ROC 1100

**Model:** R110/40CPE/1V40

**Cod:** MP01215125001

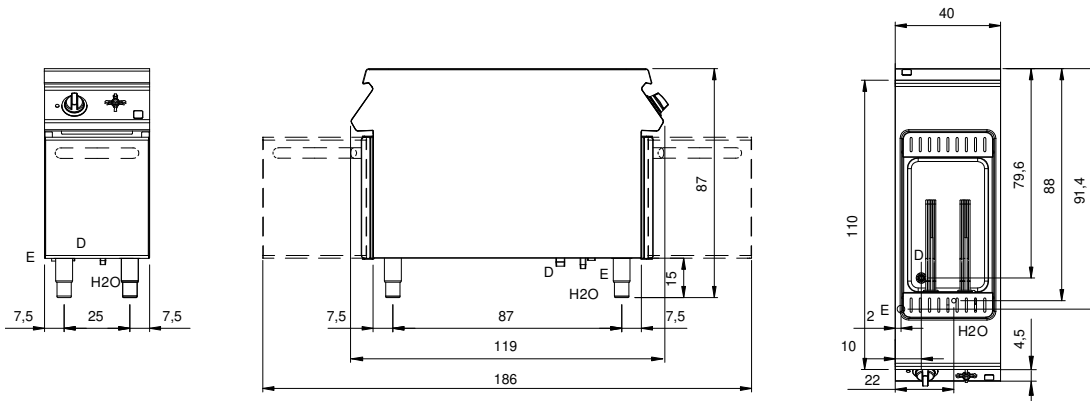
### Technical data

<b>Modularity:</b>	On cabinet with doors
<b>Dimension (mm):</b>	400x1100x870
<b>Total electric power (kW):</b>	9
<b>Nr. Wells:</b>	1
<b>Well litres 1:</b>	40
<b>Well dimensions 1 (mm):</b>	306x508x242
<b>Electric power (V):</b>	380-415
<b>Ampere (A):</b>	14
<b>Phases:</b>	3N
<b>Cable section (mmq):</b>	5G2,5
<b>Frequency (Hz):</b>	50-60
<b>Cold water inflow:</b>	3/4"
<b>Cold water pressure (bar):</b>	Pressione Max 5 bar
<b>Drain size:</b>	1"
<b>Net volume (m3):</b>	0,383
<b>Packing dimensions (mm):</b>	480x1272x1240
<b>Gross weight (kg):</b>	68
<b>Gross volume (m3):</b>	0,757

### Features

<b>Working top:</b>	Rrealizzato in acciaio inox AISI 304 spessore 2 mm
<b>Knobs:</b>	Made of aluminum with IPX5 water protection
<b>Water inflow:</b>	With tap

**Technical draw**



**E:** Electric power

**D:** Drain for water

**H2O:** Water inflow 3/4"