

Client _____ Quantity _____
 Project _____ Position _____



ROC 1100

Model: R110/40PCG/A

Cod: MP01015115001

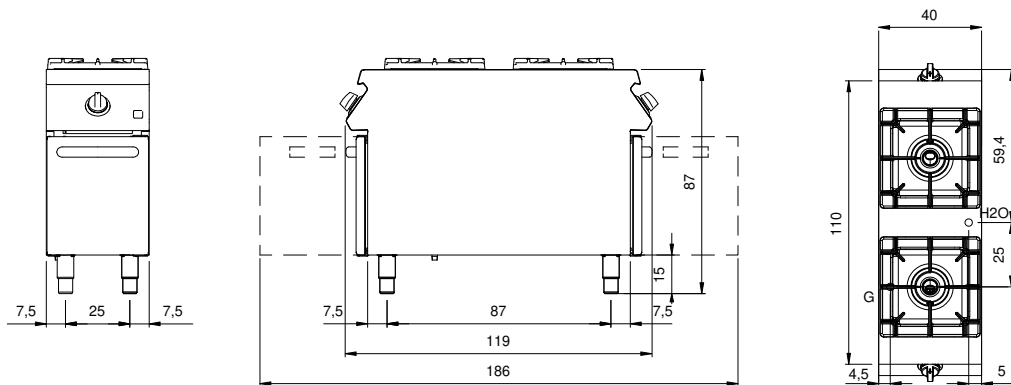
Technical data

| | |
|----------------------------------|-----------------|
| Modularity: | On open cabinet |
| Dimension (mm): | 400x1100x870 |
| Total gas power (Kcal/h): | 13758 |
| Total gas power (kW): | 16 |
| Net volume (m3): | 0,383 |
| Packing dimensions (mm): | 480x1272x1240 |
| Gross weight (kg): | 75 |
| Burner power 1 (kW): | 6 |
| Burner power 2 (kW): | 10 |
| Gross volume (m3): | 0,757 |

Features

| | |
|---------------------|------------------------------------------------------------------------------|
| Burners: | Single and double crown cast iron burners with brass burner cap |
| Grill: | For single burner in cast iron or stainless steel (optional) dishwasher safe |
| Working top: | Pressed top made of 2 mm thick AISI 304 stainless steel |
| Knobs: | Made of aluminum with IPX5 water protection |
| Flue: | Made of AISI 304 stainless steel |
| Kit Gas: | Natural gas conversion kit 30/50 m/bar (tested with natural gas G20) |

Technical draw



G: Gas connection 1/2"