



Client _____ Quantity _____

Project _____ Position _____

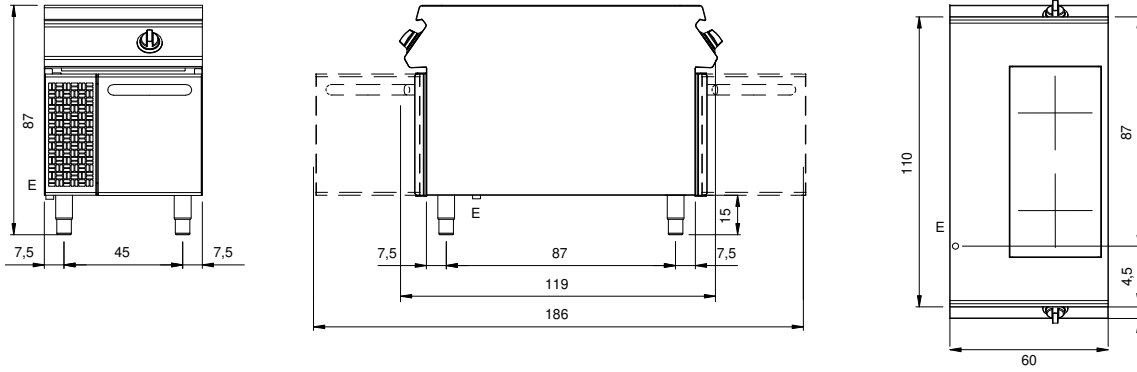
ROC 1100**Model:** R110/60IND/P**Cod:** MP01135125002**Technical data**

Modularity:	On cabinet with doors
Dimension (mm):	600x1100x870
Total electric power (kW):	10
Electric power (V):	380-415
Ampere (A):	15,5
Phases:	3N
Cable section (mmq):	5G2,5
Frequency (Hz):	50-60
Net volume (m3):	0,574
Packing dimensions (mm):	880x1272x1274
Gross weight (kg):	92
Gross volume (m3):	1,426

Features

Working top:	Rrealizzato in acciaio inox AISI 304 spessore 2 mm
Knobs:	Made of aluminum with IPX5 water protection
Handles:	The brushed aluminum handles allow for a secure and sturdy grip with a ergonomic lines
Flue:	Made of AISI 304 stainless steel

Technical draw



E: Electric power