



Client \_\_\_\_\_ Quantity \_\_\_\_\_  
 Project \_\_\_\_\_ Position \_\_\_\_\_

## ROC 1100

**Model:** R110/80BME/A

**Cod:** MP01255125004

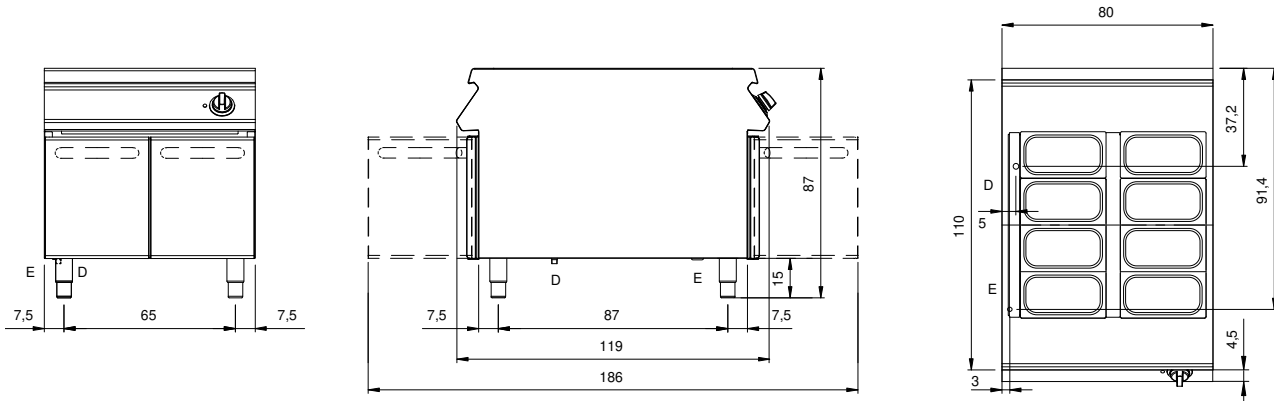
### Technical data

<b>Modularity:</b>	On open cabinet
<b>Dimension (mm):</b>	800x1100x870
<b>Total electric power (kW):</b>	4,4
<b>Nr. Wells:</b>	1
<b>Well litres 1:</b>	52
<b>Well dimensions 1 (mm):</b>	730x685x155
<b>Electric power (V):</b>	380-415
<b>Ampere (A):</b>	10
<b>Phases:</b>	3N
<b>Cable section (mmq):</b>	5G1,5
<b>Frequency (Hz):</b>	50-60
<b>Drain size:</b>	1"
<b>Net volume (m3):</b>	0,766
<b>Packing dimensions (mm):</b>	880x1272x1274
<b>Gross weight (kg):</b>	99
<b>Gross volume (m3):</b>	1,426

### Features

<b>Working top:</b>	Made of AISI 304 stainless steel with a thickness of 2 mm
<b>Knobs:</b>	Made of aluminum with IPX5 water protection
<b>Water inflow:</b>	Manual input

**Technical draw**



**E:** Electric power

**D:** Drain for water