

Client \_\_\_\_\_ Quantity \_\_\_\_\_  
 Project \_\_\_\_\_ Position \_\_\_\_\_



## ROC 1100

**Model:** R110/80FRER/2V17/P **Cod:** MP01295125005

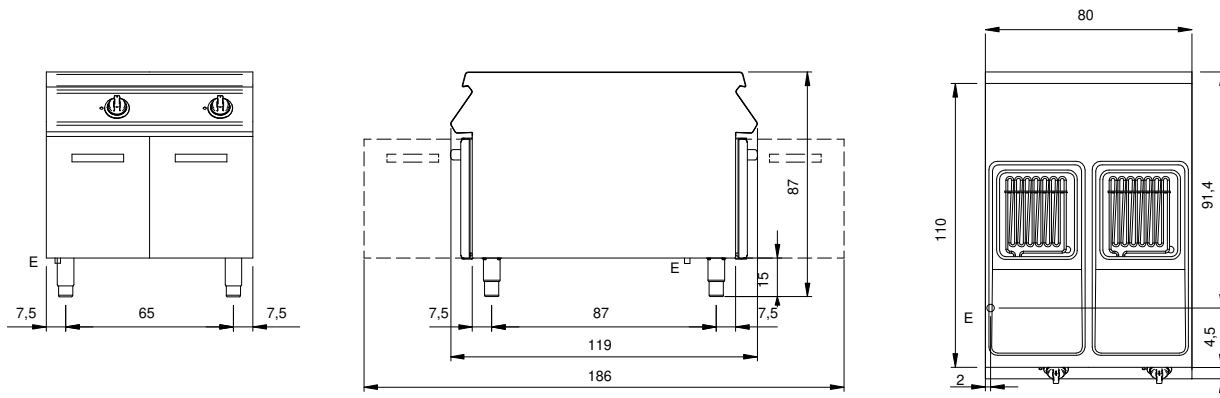
### Technical data

<b>Modularity:</b>	On cabinet with doors
<b>Dimension (mm):</b>	800x1100x870
<b>Total electric power (kW):</b>	34
<b>Nr. Wells:</b>	2
<b>Well litres 1:</b>	17
<b>Well litres 2:</b>	17
<b>Well dimensions 1 (mm):</b>	310x345x255
<b>Well dimensions 2 (mm):</b>	310x345x255
<b>Electric power (V):</b>	380-415
<b>Ampere (A):</b>	52
<b>Phases:</b>	3N
<b>Cable section (mmq):</b>	5G10
<b>Frequency (Hz):</b>	50-60
<b>Net volume (m3):</b>	0,766
<b>Packing dimensions (mm):</b>	880x1272x1274
<b>Gross weight (kg):</b>	120
<b>Gross volume (m3):</b>	1,426

### Features

<b>Working top:</b>	Rrealizzato in acciaio inox AISI 304 spessore 2 mm
<b>Type of heating:</b>	Direct
<b>Knobs:</b>	Made of aluminum with IPX5 water protection
<b>Heating:</b>	Rotating heating elements

Technical draw



E: Electric power