



Client _____ Quantity _____
 Project _____ Position _____

ROC 1100

Model: R110/80FRGV/2V22/P **Cod:** MP01295115004

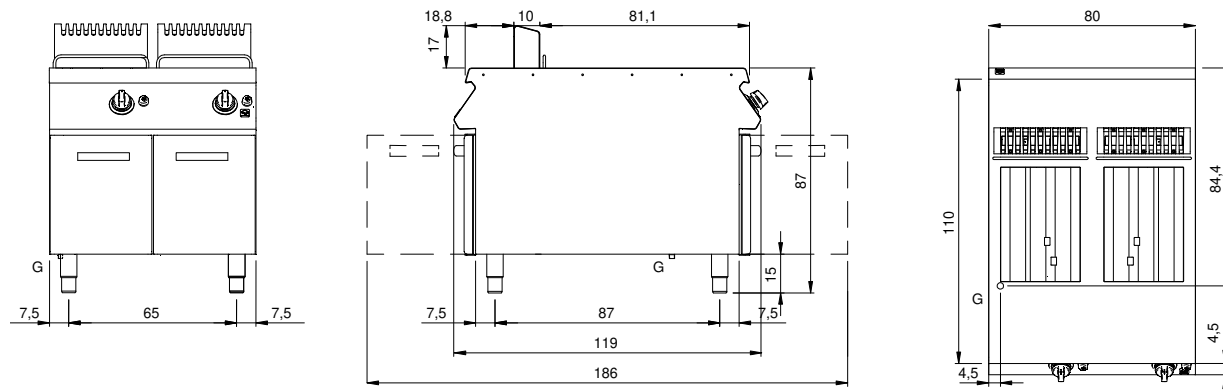
Technical data

Modularity:	On cabinet with doors
Dimension (mm):	800x1100x870
Total gas power (Kcal/h):	34394
Total gas power (kW):	40
Nr. Wells:	2
Well litres 1:	22
Well litres 2:	22
Well dimensions 1 (mm):	309x442x318
Well dimensions 2 (mm):	309x442x318
Gas connection:	1/2"
Net volume (m3):	0,766
Packing dimensions (mm):	880x1272x1274
Gross weight (kg):	115
Gross volume (m3):	1,426

Features

Burners:	In the well
Working top:	Rrealizzato in acciaio inox AISI 304 spessore 2 mm
Type of heating:	Direct
Knobs:	Made of aluminum with IPX5 water protection
Kit Gas:	Natural gas conversion kit 30/50 m/bar (tested with natural gas G20)

Technical draw



G: Gas connection 1/2"