

Client \_\_\_\_\_ Quantity \_\_\_\_\_  
 Project \_\_\_\_\_ Position \_\_\_\_\_



## ROC 1100

**Model:** R110/80PCG/P

**Cod:** MP01015115004

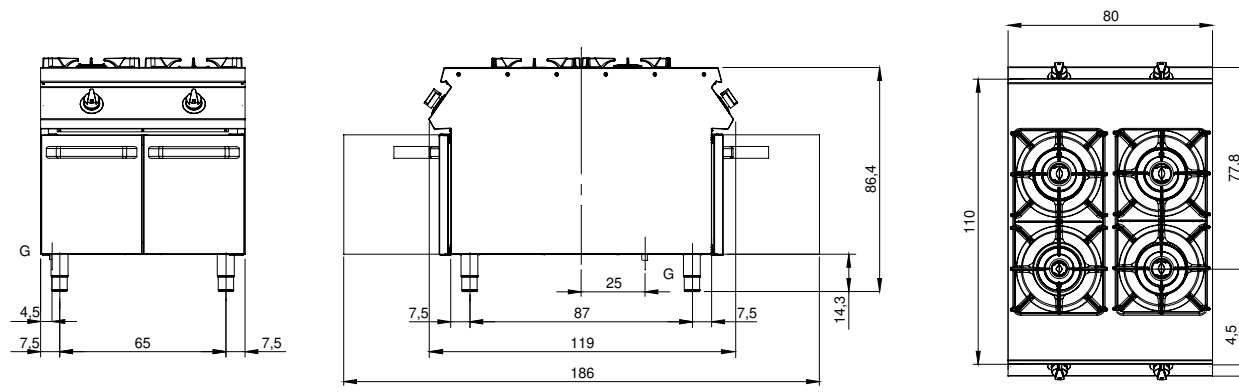
### Technical data

<b>Modularity:</b>	On cabinet with doors
<b>Dimension (mm):</b>	800x1100x870
<b>Total gas power (Kcal/h):</b>	30955
<b>Total gas power (kW):</b>	36
<b>Net volume (m3):</b>	0,766
<b>Packing dimensions (mm):</b>	880x1272x1274
<b>Gross weight (kg):</b>	125,4
<b>Burner power 1 (kW):</b>	6
<b>Burner power 2 (kW):</b>	10
<b>Burner power 3 (kW):</b>	10
<b>Burner power 4 (kW):</b>	10
<b>Gross volume (m3):</b>	1,426

### Features

<b>Burners:</b>	Single and double crown cast iron burners with brass burner cap
<b>Grill:</b>	For single burner in cast iron or stainless steel (optional) dishwasher safe
<b>Working top:</b>	Pressed top made of 2 mm thick AISI 304 stainless steel
<b>Knobs:</b>	Made of aluminum with IPX5 water protection
<b>Handles:</b>	The brushed aluminum handles allow for a secure and sturdy grip with a ergonomic lines
<b>Flue:</b>	Made of AISI 304 stainless steel
<b>Kit Gas:</b>	Natural gas conversion kit 30/50 m/bar (tested with natural gas G20)

**Technical draw**



**G:** Gas connection 1/2"