

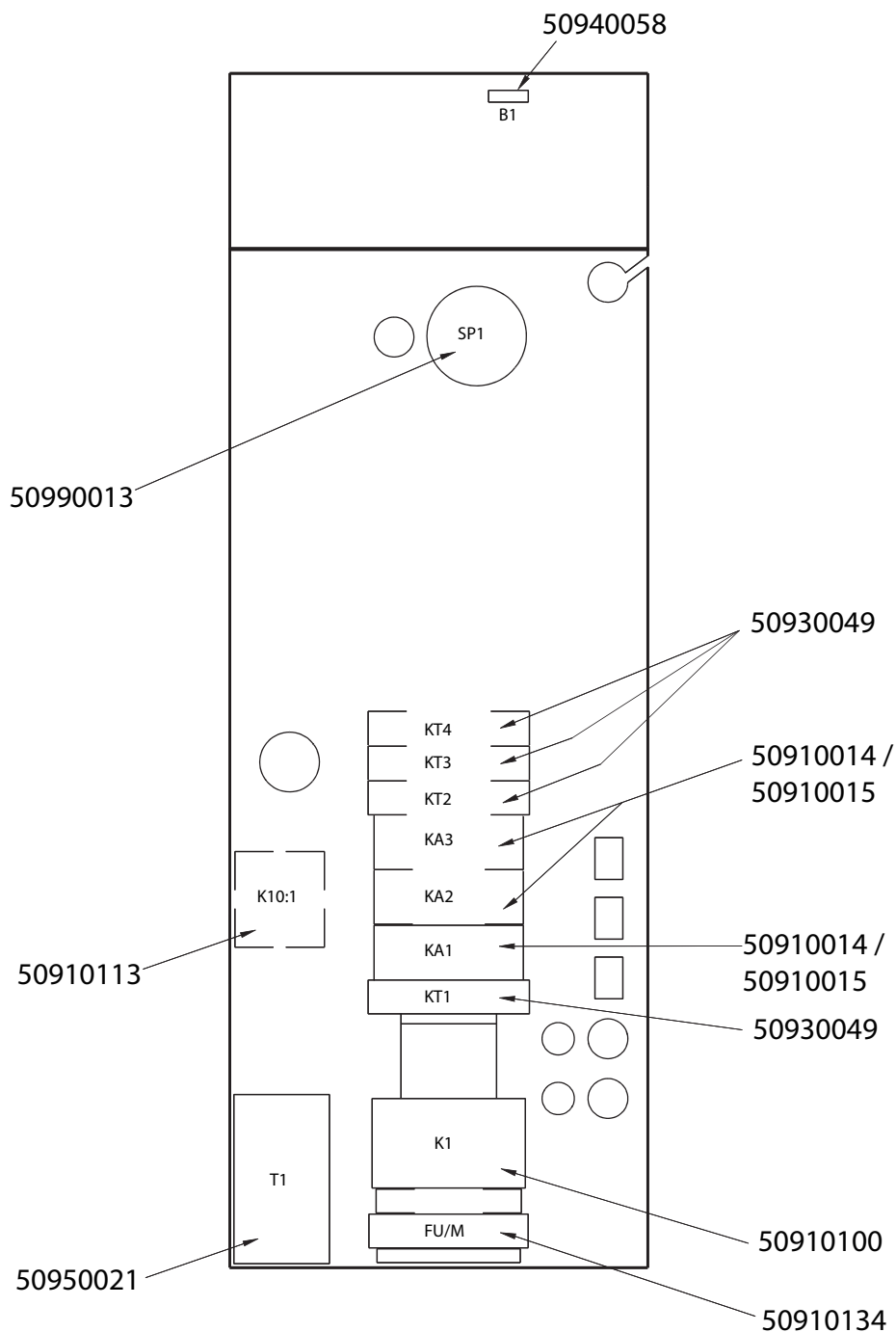


Voorspoelmachine
WD-PRM 6 & WD-PRM 7

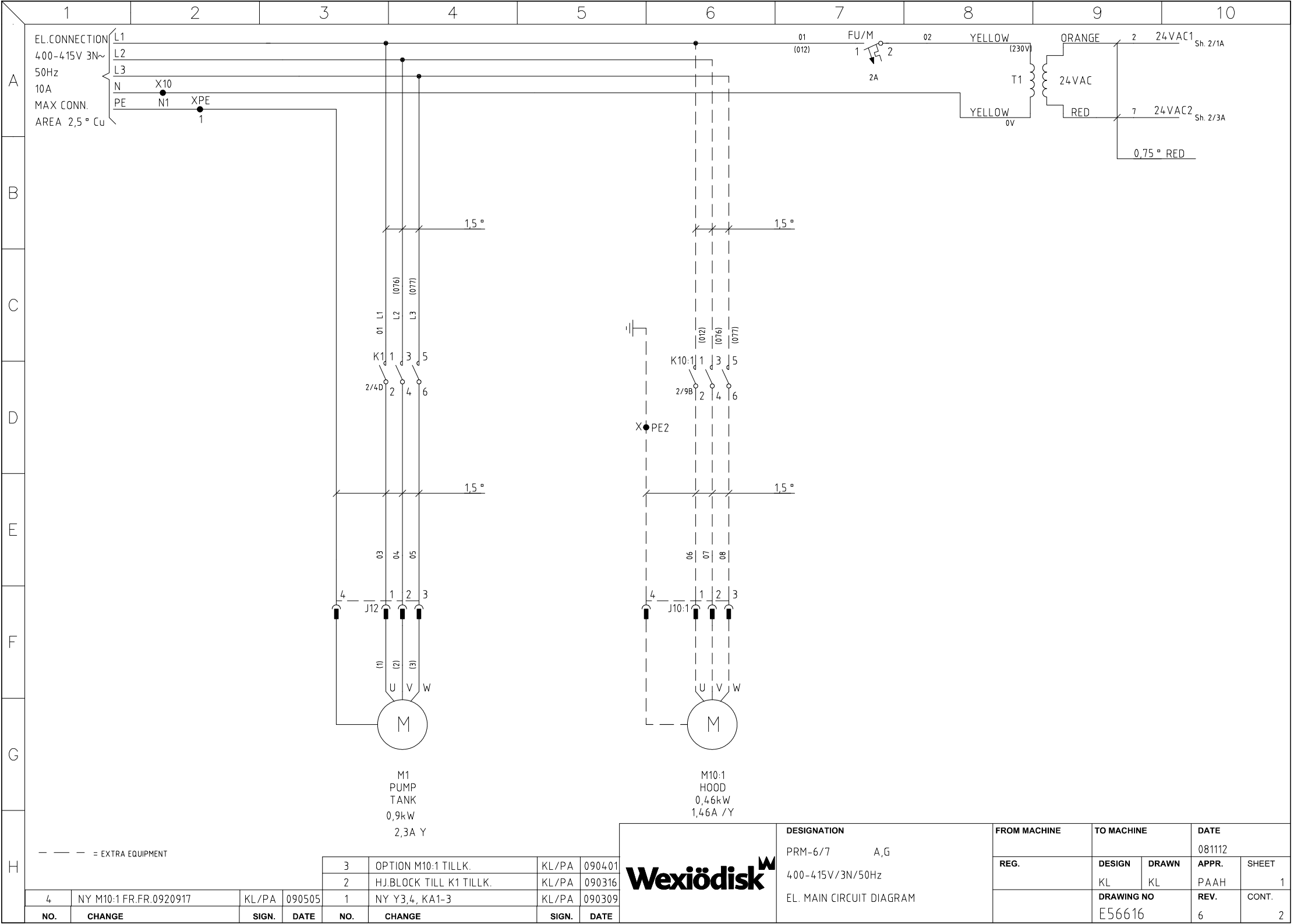
Schema



Model 2010



Artikel-code	Omschrijving
50910014	Relais WD
50910015	Relaisvoet WD tbv 50910014
50910100	Magneetschakelaar D09 24V 50Hz
50910113	Magneetschakelaar LC1K09 10 24V
50910134	Automaat F&G 1Pol.2A 400V
50930049	Tijdrelais H3DS-ML 24-230VAC
50940058	Kapschakelaar WD new ESP
50950021	Transformator 230V / 24V 75VA WD
50990013	Niveauregelaar WD-6/7E



--- = EXTRA EQUIPMENT

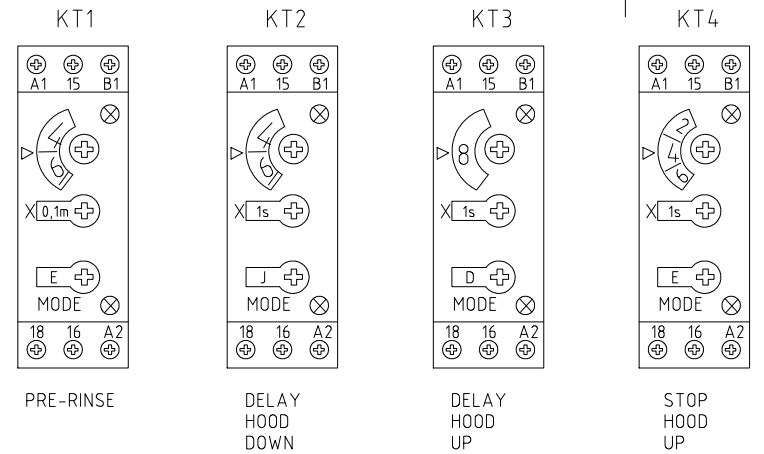
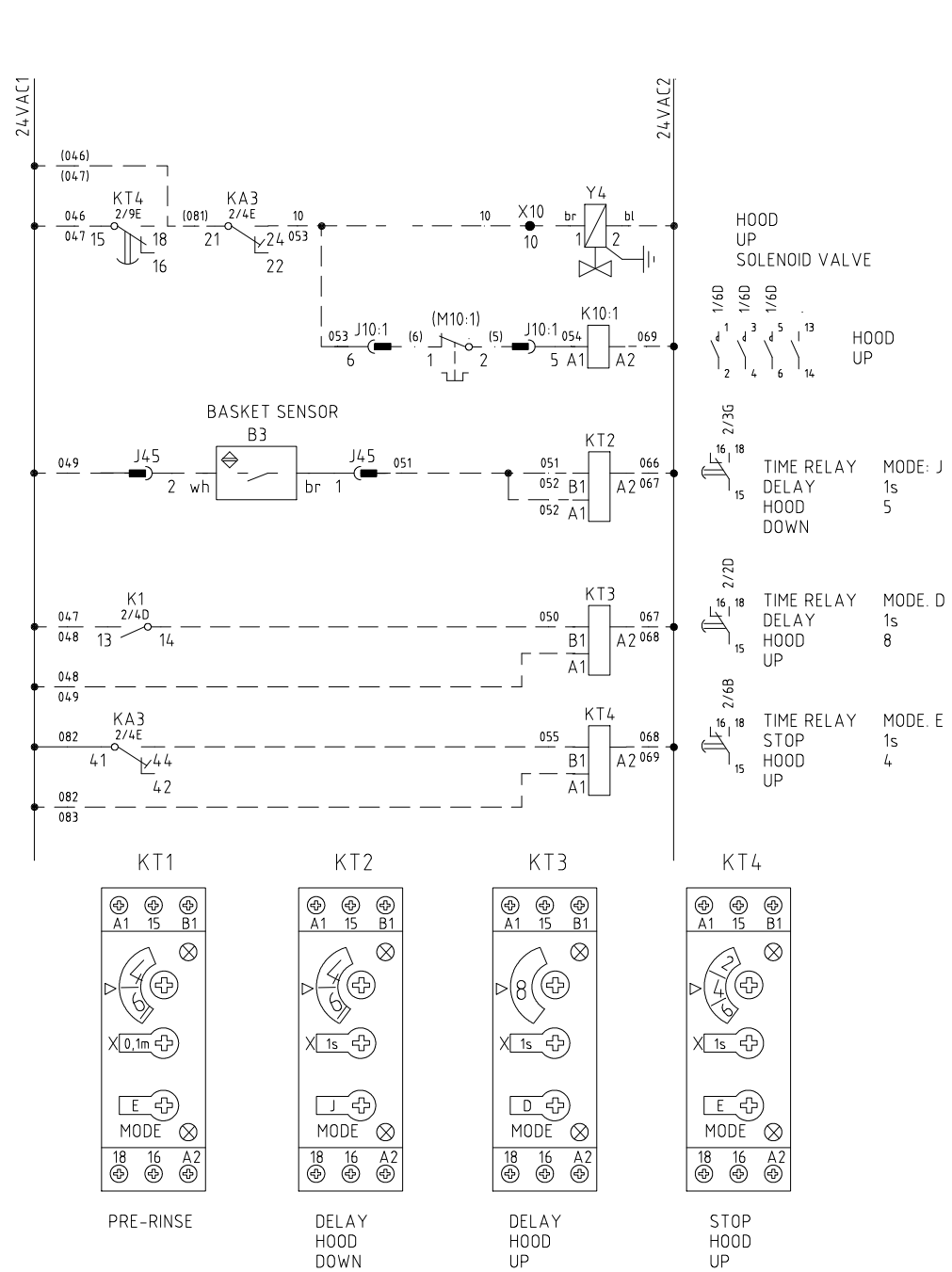
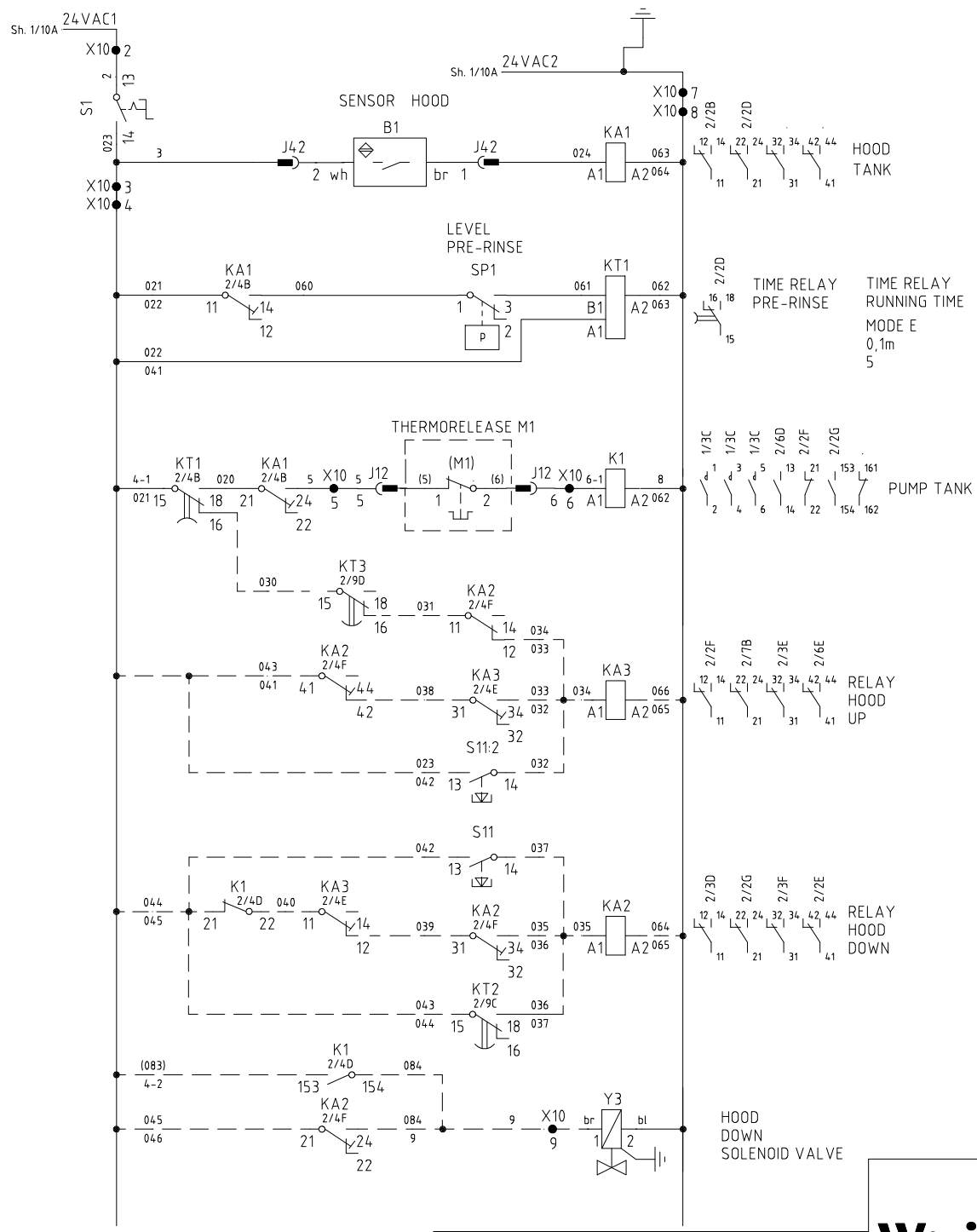
3	OPTION M10:1 TILLK.	KL/PA	090401
2	HJ.BLOCK TILL K1 TILLK.	KL/PA	090316
1	NY Y3,4, KA1-3	KL/PA	090309
NO.	CHANGE	SIGN.	DATE



DESIGNATION	PRM-6/7 A,G
	400-415V/3N/50Hz
	EL. MAIN CIRCUIT DIAGRAM

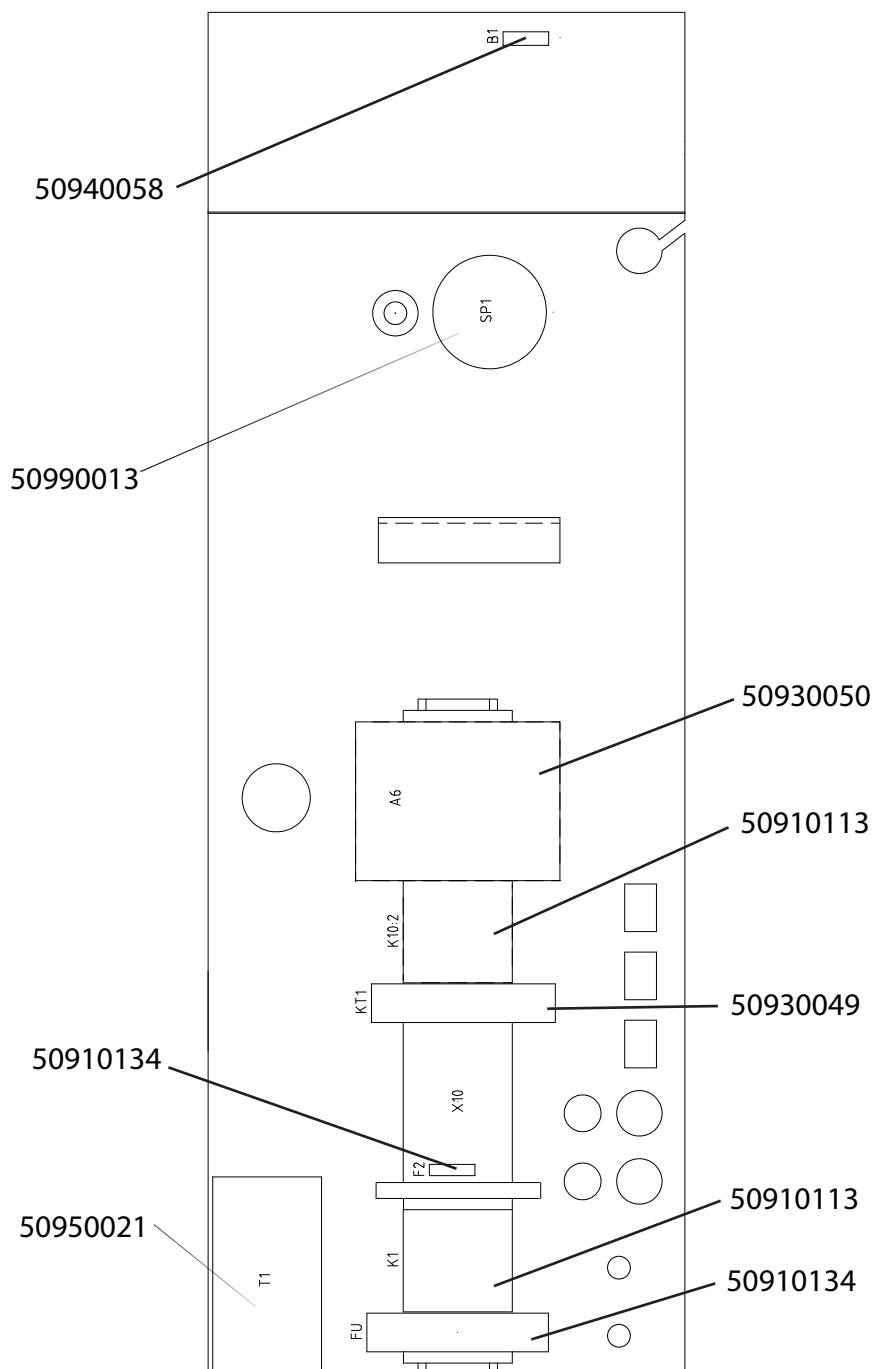
FROM MACHINE	TO MACHINE	DATE
REG.	DESIGN KL	APP. PAAH
	DRAWN KL	SHEET 1
	DRAWING NO E56616	REV. 6
		CONT. 2

A
B
C
D
E
F
G
H

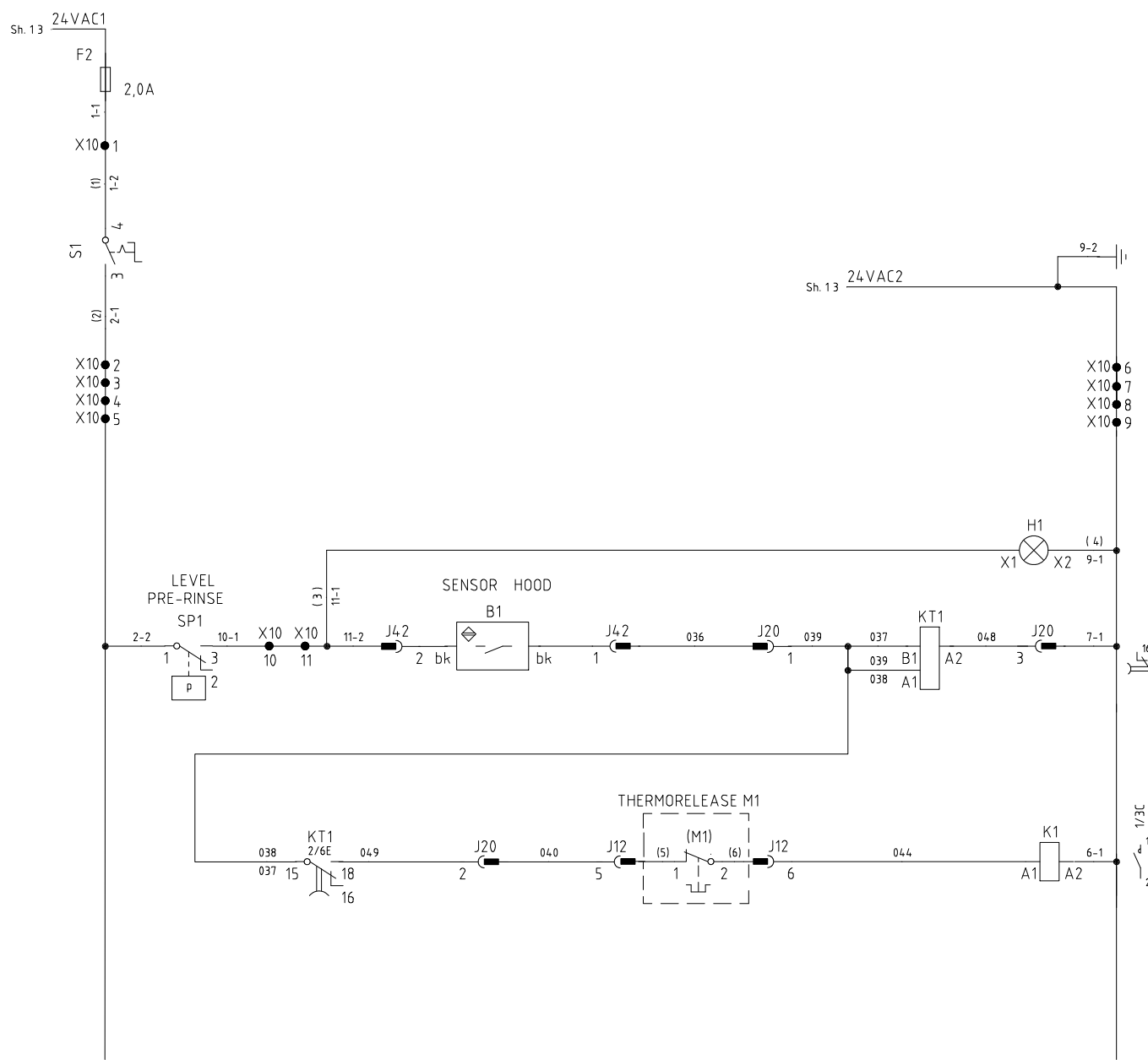


DESIGNATION	PRM-6/7 A,G		FROM MACHINE		TO MACHINE		DATE	
	4.00-4.15V/3N/50Hz		REG.	DESIGN	DRAWN	APPR.	SHEET	
	EL. CONTROL CIRCUIT DIAGR			KL	KL	PAAH		2
		DRAWING NO		REV.		CONT.		
		E56616		6		3		

5	NY TYP SII, SII:2.	KL/PA	090930	6	NY TID KT3 FR.0922283	KL/PA	091127
NO.	CHANGE	SIGN.	DATE	NO.	CHANGE	SIGN.	DATE
3	NY TYP B1,OP. KT4 TILLK.	KL/PA	090401				


**Artikel-
code**
Omschrijving

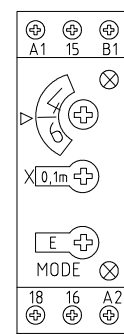
50910113	Magneetschakelaar LC1K09 10 24V
50910134	Automaat F&G 1Pol.2A 400V
50930049	Tijdrelais H3DS-ML 24-230VAC
50930050	Tijdrelais SR2 E121B (geprogrammeerd voor PRM6/7 aut,kap)
50940058	Kapschakelaar WD new ESP
50950021	Transformator 230V / 24V 75VA WD
50990013	Niveauregelaar WD-6/7E



GREEN
SIGNALLAMP
READY FOR WASH

TIME RELAY
PRE-RINSE
5
0,1m
MODE E

PUMP TANK



PRE-RINSE

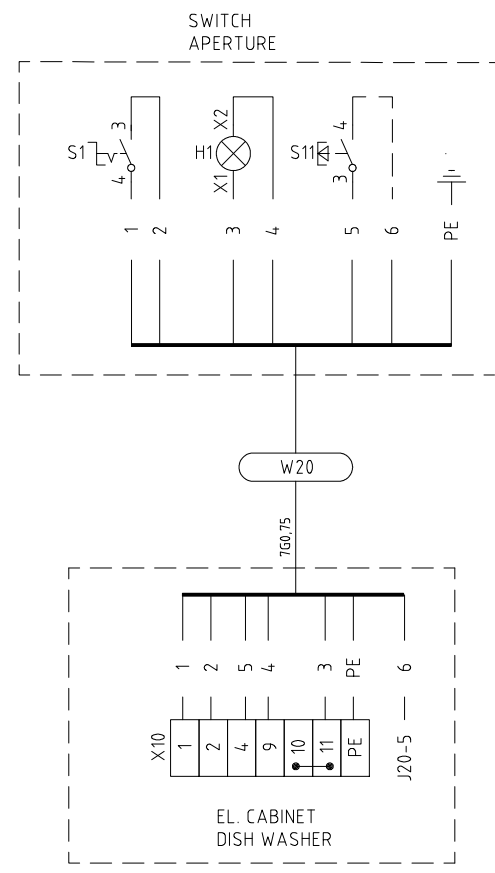
THIS PAGE IS ONLY VALID FOR PRM WITHOUT HOOD LIFT.



DESIGNATION
PRM-6/7 A,G
400-415V/3N/50Hz
EL. CONTROL CIRCUIT DIAGR

FROM MACHINE	TO MACHINE		DATE	
REG.	DESIGN	DRAWN	APPR.	SHEET
	KL	KL	PAAH	2
	DRAWING NO		REV.	CONT.
	E56713			3

NO.	CHANGE	SIGN.	DATE	NO.	CHANGE	SIGN.	DATE
-----	--------	-------	------	-----	--------	-------	------



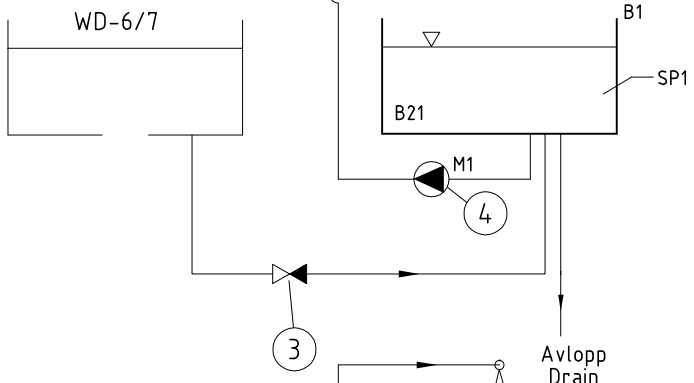
DESIGNATION
PRM-6/7 A,G
400-415V/3N/50Hz
EL.WIRING DIA.GRAM

FROM MACHINE	TO MACHINE		DATE	
REG.	DESIGN KL	DRAWN KL	APPR. PAAH	SHEET 4
	DRAWING NO E56713		REV.	CONT. 5

NO.	CHANGE	SIGN.	DATE	NO.	CHANGE	SIGN.	DATE
-----	--------	-------	------	-----	--------	-------	------

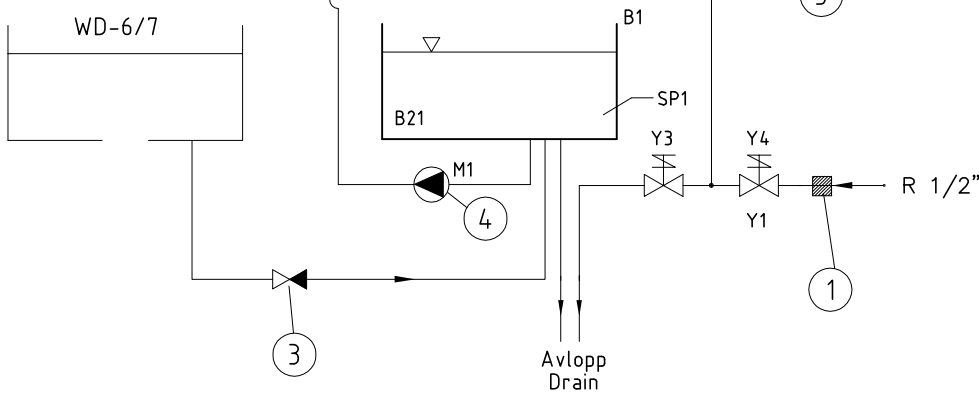
Nr	Ant.	Ändring och/eller medd.-nr	Datum	Inf.	Godk.
----	------	----------------------------	-------	------	-------

Standardutförande/
standard design:



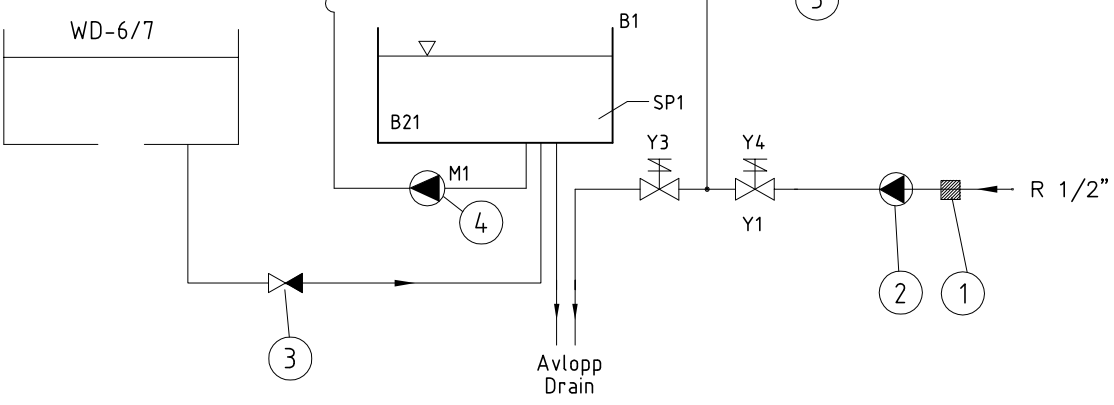
- 1 Filter
- 2 Tryckstegringspump
- 3 Backventil
- 4 Diskpump
- 5 Lyftcylinder huvlyft

Huvlyft/
Hoodlift:



- 1 Filter
- 2 Booster pump
- 3 Non return valve
- 4 Wash pump
- 5 Cylinder hood lift

Med tryck-
stegringspump/
with booster pump:



Det.-nr	Ant.	Benämning		Material	Ytbehandling	Dimension/Art.-nr	
Konstr. RF	Ritad	Generellt tolerans SS-ISO 2768 m	Kontr.	Reg.-nr 5.1	Godk.	Skala 1:1	Ersätter 46984
						Dimension/Art.-nr	
						Flödesschema Flowdiagram WD-6/7PRM	
						Ritn.-nr 46984	Rev.

rhima

rhima-WEBSHOP.NL